

2-Color Display Digital Pressure Switch

ZSE80(F)/ISE80(H) Series

The ZSE80(F)/ISE80(H) series now features a new model: the ZSE20C(F)/ISE20C(H).
Click [here](#) for details.



ZSE20
ISE20
ZSE30
ISE30
ZSE40
ISE40
ZSE10
ISE10
ISE70
ZSE80
ISE80
PS
ISA3
ISA2
ISE35
PSE
IS
ISG
ZSM1

Stainless diaphragm
Oil-free (Single-layer diaphragm structure)

Sensor unit: **Stainless steel 630**

Fitting parts: **Stainless steel 304**

The sensor unit and fitting parts are also applicable to stainless steel 316L.

IP65 compliant

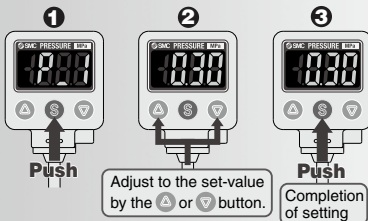


● 2-color display

See abnormal values at a glance.



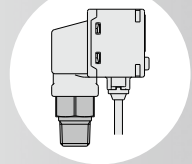
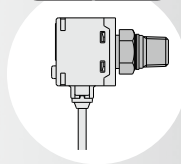
● 3-step setting



● Choice of 2 piping directions

Rear ported

Bottom ported



● Rated pressure range

0.0 to -101.0 kPa and -0.100 to 2.00 MPa
available as standard

Leakage

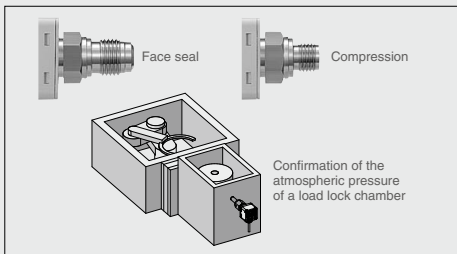
$1 \times 10^{-10} \text{ Pa}\cdot\text{m}^3/\text{s}$

<Face seal and compression fitting>

$1 \times 10^{-5} \text{ Pa}\cdot\text{m}^3/\text{s}$

<Threaded type (R, Rc, NPT, G)>

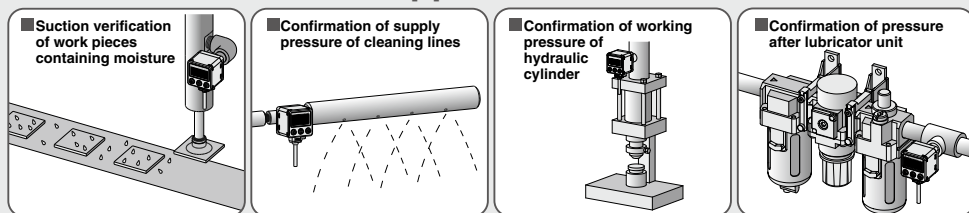
- Welded structure for sensor units and fitting parts
- Select from a face seal or compression fitting.



Applicable Fluid Examples

- Water
- Hydraulic fluid (JIS-K2213)
- Silicon oil (JIS-K2213)
- Lubricant (JIS-K6301)
- Fluorocarbon
- Argon
- Carbon dioxide
- Air-containing drainage
- Nitrogen

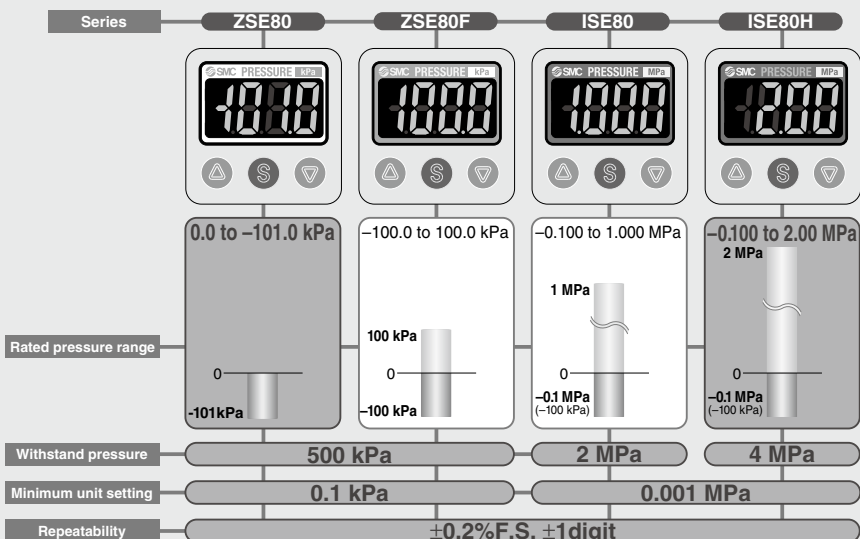
Applications



Restrictor installed fitting type (-X510) Made to Order

A pressure switch that has a restrictor installed in the fitting is available to prevent the sensor from being damaged by water hammer or inertia of the fluid.

Variations



2-color display (LCD)

Can select from 4 indicator patterns of color combinations.

	ON	OFF
①	Red	Green
②	Green	Red
③	Red	Red
④	Green	Green

Output display

It lights when OUT1 or OUT2 outputs.

Convex rubber button

Convex button is adopted and provides IP65 rating. Improved maneuverability and operability.

Lead wire length

- 2 m (Standard)
- 3 m (Made to Order)

Piping

Rc1/8 (female threaded) is newly added.

- R1/4 (M5 x 0.8 female threaded)
- NPT1/4 (M5 x 0.8 female threaded)
- G1/4 (M5 x 0.8 female threaded)
- **Rc1/8**
- URJ1/4 (Face seal fitting)
- TSJ1/4 (Compression fitting)

Output

Analog current output is newly added.

- Advantageous when it is wired for a long distance.
- It is resistant against noise.
- NPN open collector 1 output
- PNP open collector 1 output
- NPN open collector 2 outputs
- PNP open collector 2 outputs
- NPN open collector 2 outputs + Analog voltage output/Auto-shift switching
- PNP open collector 2 outputs + Analog voltage output/Auto-shift switching
- NPN open collector 2 outputs + Analog current output/Auto-shift switching
- PNP open collector 2 outputs + Analog current output/Auto-shift switching

Secret code setting

This ensures that only authorized persons can operate the switch when the key is locked.



Input an arbitrary 3-digit value.

* The set-value can be confirmed even when the key is locked.

Resolution switching function

It prevents minor variation of the indicated value.



1/1000

1/100

(Only the indicated value changes without changing precision.)

Power-saving mode

Turning off the display can save power consumption. (Power consumption: reduced by up to 18%)



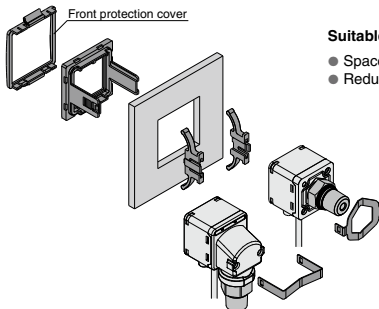
The numerical value disappears and the decimal points blink.

MPa/kPa switching function

The indication unit for vacuum, compound pressure and positive pressure can be integrated into either MPa or kPa.

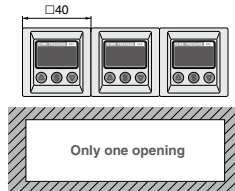


Panel mount

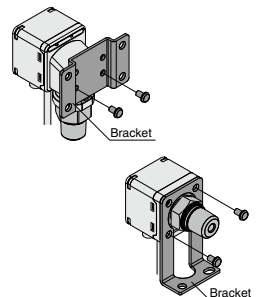


Suitable for side-by-side mounting

- Space-saving
- Reduced panel fitting labor



Bracket mount



2-Color Display Digital Pressure Switch For General Fluids



RoHS

ZSE80/ISE80 Series

The ZSE80(F)/ISE80(H) series now features a new model: the ZSE20C(F)/ISE20C(H).
Click [here](#) for details.

How to Order



For positive pressure

ISE 80 - 02 [] - N - M [] [] []

For vacuum/compound pressure

ZSE 80 - 02 [] - N - M [] [] []

Made to Order
Refer to Table 1 below.

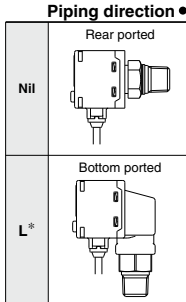
Rated pressure range

80	0 to -101 kPa
80F	-100 to 100 kPa

Piping specifications

02	R1/4 (M5 female threaded)
N02	NPT1/4 (M5 female threaded)
F02*	G1/4 ⁺¹ (M5 female threaded)
C01	Rc1/8
A2	URJ1/4 (Face seal fitting)
B2	TSJ1/4 (Compression fitting)

* Not applicable to piping direction "L (Bottom ported)".
* 1 According to ISO 228-1



* Not applicable to piping specifications "F02(G1/4)".

Output specifications

N	NPN open collector 1 output
P	PNP open collector 1 output
A	NPN open collector 2 outputs
B	PNP open collector 2 outputs
R	NPN open collector 2 outputs + Analog voltage output/Auto-shift switching
T	PNP open collector 2 outputs + Analog voltage output/Auto-shift switching
S	NPN open collector 2 outputs + Analog current output/Auto-shift switching
V	PNP open collector 2 outputs + Analog current output/Auto-shift switching

Made to Order
Table 1
Made to Order

Symbol	Specifications
-X500 (Note 1)	Wetted parts: Stainless steel 316L
-X501	Lead wire length 3 m
-X510 (Note 2)	Restrictor installed fitting
-X531 (Note 3)	M12 4-pin pre-wired connector
-X555 (Note 4)	Rated pressure -100 to 300 kPa

Note 1) Not applicable to the rated pressure range -0.1 to 2 MPa specification. Refer to page 103 for details.
Note 2) Excluding A2 and B2 piping specifications
Note 3) Suitable for output specifications A, B only
Note 4) Suitable for output specifications R, T only

Option

Option	Piping direction	Part no.
Bracket	Rear ported	ZS-24-A
	Rear ported	ZS-24-D
	Bottom ported	ZS-35-A
Panel mount adapter	Rear ported	ZS-35-C
	Bottom ported	ZS-35-B
Panel mount adapter + Front protection cover	Rear ported	ZS-35-F
	Bottom ported	ZS-35-E

Option 2

Symbol	Operation (Note)	Calibration (Note)
Nil	●	—
Y	—	●
K	●	●
T	—	●

Note) All texts in both English and Japanese

Unit specifications

Nil	With unit display switching function (Note 1)
M	Fixed SI unit (Note 2)
P	With unit display switching function (Note 1) (Initial value psi)

Note 1) Under the New Measurement Law, sales of switches with the unit switching function are not allowed for use in Japan.
Note 2) Unit ISE80H: MPa
Others: MPa, kPa

Option 1

Nil	None
A	With bracket Rear ported: ZS-24-A Bottom ported: ZS-35-A
	With bracket (Note) Rear ported: ZS-24-D
C	Panel mount adapter Rear ported: ZS-35-C Bottom ported: ZS-35-B
	Panel mount adapter + Front protection cover Rear ported: ZS-35-F Bottom ported: ZS-35-E

Note) Rear ported only



2-Color Display Digital Pressure Switch For General Fluids **ZSE80/ISE80 Series**

Refer to pages 11 and 12 for Pressure Switch Precautions. For details about the Specific Product Precautions, refer to the Operation Manual on the SMC website, <http://www.smcworld.com> Click [here](#) for details.

Specifications

Model	ZSE80 (Vacuum pressure)	ZSE80F (Compound pressure)	ISE80 (Positive pressure)	ISE80H (Positive pressure)	
Rated pressure range	0.0 to -101.0 kPa	-100.0 to 100.0 kPa	-0.100 to 1.000 MPa	-0.100 to 2.00 MPa	
Pressure display range/Set pressure range	10.0 to -111.1 kPa	-110.0 to 110.0 kPa	-0.105 to 1.100 MPa	-0.105 to 2.20 MPa	
Withstand pressure	500 kPa		2 MPa	4 MPa	
Wetted parts material	Pressure sensor: Stainless steel 630, Fitting: Stainless steel 304 (Gasket: NBR ^{Note 1)})				
Applicable fluid	Fluids do not corrode stainless steel 630 and 304 (NBR ^{Note 1)})				
Port size	R1/4, NPT1/4, G1/4 ^{Note 2)} , URJ1/4, TSJ1/4, Rc1/8 Piping direction: Rear/Bottom				
Power supply voltage	12 to 24 VDC ±10%, Ripple (p-p) 10% or less (with power supply polarity protection)				
Current consumption	45 mA or less				
Switch output	NPN 1 output, NPN 2 outputs, PNP 1 output, PNP 2 outputs				
	Maximum load current	80 mA			
	Maximum load voltage	28 V (at NPN output)			
	Residual voltage	1 V or less (with load current of 80 mA)			
	Response time	2.5 ms (with anti-chattering function: 20, 100, 500, 1000, 2000 ms)			
	Short circuit protection	Yes			
Repeatability	±0.2% F.S. ±1 digit				
Hysteresis	Hysteresis mode				
	Window comparator mode	Variable (0 or above)			
Analog output	Voltage output	Output voltage (Rated pressure range)	1 to 5 V ±2.5% F.S.	0.6 to 5 V ±2.5% F.S.	0.8 to 5 V ±2.5% F.S.
		Linearity	±1% F.S.		
		Output impedance	Approx. 1 kΩ		
	Current output	Output current (Rated pressure range)	4 to 20 mA ±2.5% F.S.	2.4 to 20 mA ±2.5% F.S.	3.2 to 20 mA ±2.5% F.S.
		Linearity	±1% F.S.		
		Load impedance	Maximum load impedance: 300 Ω (Power supply voltage 12 V) 600 Ω (Power supply voltage 24 V) Minimum load impedance: 50 Ω		
Auto-shift input	Non-voltage input (Reed or Solid state), Low level: 0.4 V or less, 5 ms or longer input				
Display	3 1/2-digit, 7-segment, 2-color LCD (Red/Green)				
Display accuracy	±2% F.S. ±1 digit (Ambient temperature of 25 ±3°C)				
Indicator light	Lights up when output is turned ON. OUT1, OUT2: Orange				
Function	Anti-chattering, Zero-clear, Keylock function, Auto-preset, Auto-shift, Display unit switching, Power-saving mode				
Environment	Enclosure	IP65			
	Operating temperature range	Operating: 0 to 50°C, Stored: -10 to 60°C (No freezing or condensation)			
	Operating humidity range	Operating/Stored: 35 to 85% RH (No condensation)			
	Withstand voltage	250 VAC for 1 minute between terminals and housing			
	Insulation resistance	2 MΩ or more (50 VDC measured via megohmmeter) between terminals and housing			
Temperature characteristics	±3% F.S. (25°C reference, within operating temperature range)				
Lead wire	Oilproof heavy-duty vinyl cable, 3 cores (N.P) ø3.5, 2 m 4 cores (A.B) Conductor area: 0.15 mm ² (AWG26) 5 cores (R.T.S.V) Insulator O.D.: 0.95 mm				
Standards	CE, UL/CSA (E216656), RoHS				

Note 1) When F02(G1/4) is selected.

Note 2) F02(G1/4) is available for rear ported only.

Piping Specifications

Model	O2	N02	F02	C01	A2	B2
Port size	R1/4	NPT1/4	G1/4	Rc1/8	URJ1/4	TSJ1/4
Weight (Bottom ported)	117 g	118 g	—	114 g	120 g	111 g
Weight (Rear ported)	89 g	90 g	86 g	86 g	92 g	83 g
Leakage	1 x 10 ⁻⁹ Pa·m ³ /s				1 x 10 ⁻¹⁰ Pa·m ³ /s	

ZSE80/ISE80 Series

Set Pressure Range and Rated Pressure Range

Set the pressure within the rated pressure range.

The set pressure range is the range of pressure that is possible in setting.

The rated pressure range is the range of pressure that satisfies the specifications (accuracy, linearity, etc.) on the switch.

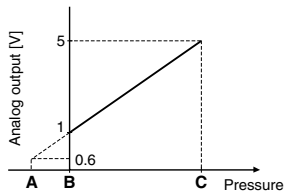
Although it is possible to set a value outside the rated pressure range, the specifications will not be guaranteed even if the value stays within the set pressure range.

Switch		Pressure range				
		-100 kPa	0	100 kPa	1 MPa	2 MPa
For vacuum pressure	ZSE80	-101 kPa	0			
		-111.1 kPa		10 kPa		
For compound pressure	ZSE80F	-100 kPa		100 kPa		
		-110 kPa		110 kPa		
For positive pressure	ISE80	-0.1 MPa			1 MPa	
		-0.105 MPa			1.1 MPa	
	ISE80H	-0.1 MPa				2 MPa
		-0.105 MPa				2.2 MPa

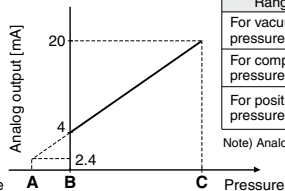
Rated pressure range of switch
 Set pressure range of switch

Analog Output

Voltage output



Current output

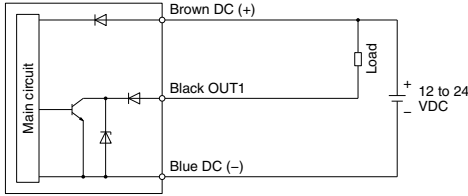


Range	Rated pressure range	A	B	C
For vacuum pressure	0.0 to -101.0 kPa	10.1 kPa	0	-101.0 kPa
For compound pressure	-100.0 to 100.0 kPa	—	-100.0 kPa	100.0 kPa
For positive pressure	-0.100 to 1.000 MPa	-0.100 MPa	0	1.000 MPa
	-0.100 to 2.00 MPa	-0.100 MPa ^{Note)}	0	2.00 MPa

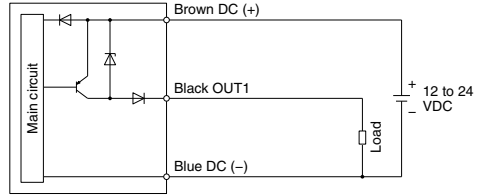
Note) Analog output is 0.8 [V] or 3.2 [mA] at the pressure A.

Internal Circuits and Wiring Examples

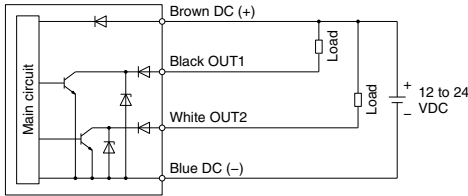
-N
NPN (1 output)



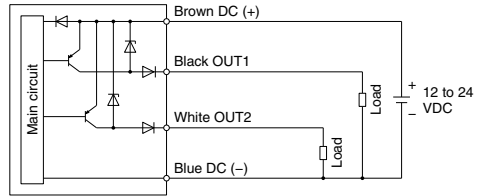
-P
PNP (1 output)



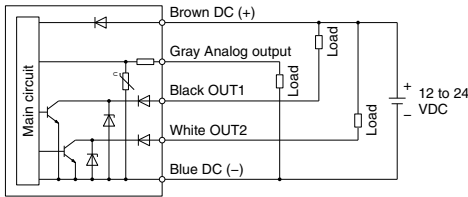
-A
NPN (2 outputs)



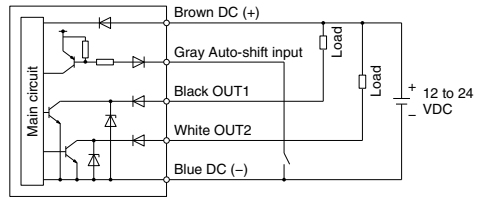
-B
PNP (2 outputs)



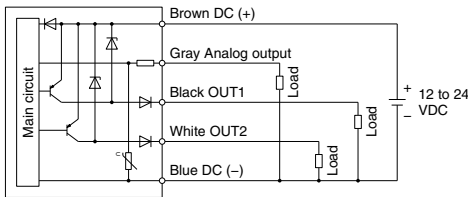
-R/-S
-R: NPN (2 outputs) + Analog voltage output
-S: NPN (2 outputs) + Analog current output



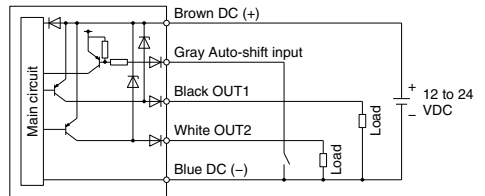
-R/-S
NPN (2 outputs) + Auto-shift input



-T/-V
-T: PNP (2 outputs) + Analog voltage output
-V: PNP (2 outputs) + Analog current output



-T/-V
PNP (2 outputs) + Auto-shift input



ZSE20
ISE20

ZSE30
ISE30

ZSE40
ISE40

ZSE10
ISE10

ISE70

ZSE80
ISE80

PS

ISA3

ISA2

ISE35

PSE

IS

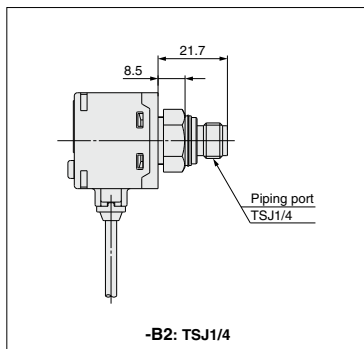
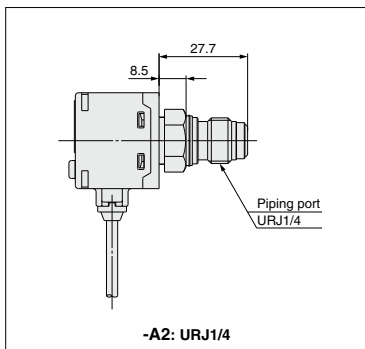
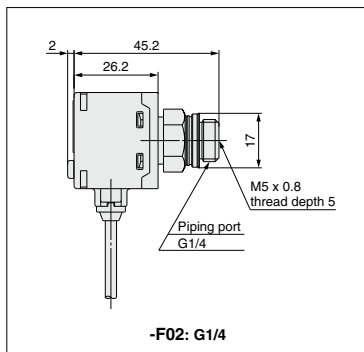
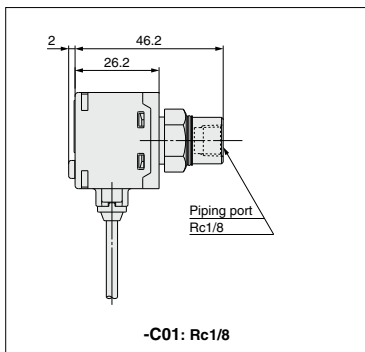
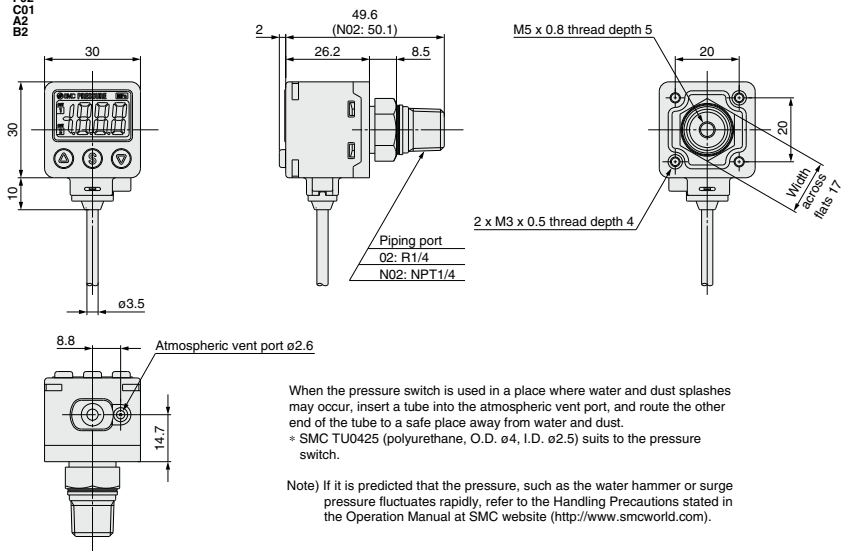
ISG

ZSM1

ZSE80/ISE80 Series

Dimensions (For details about lead wires, refer to the product specifications.)

ZSE/ISE80 □ □ - 02
 F02
 C01
 A2
 B2

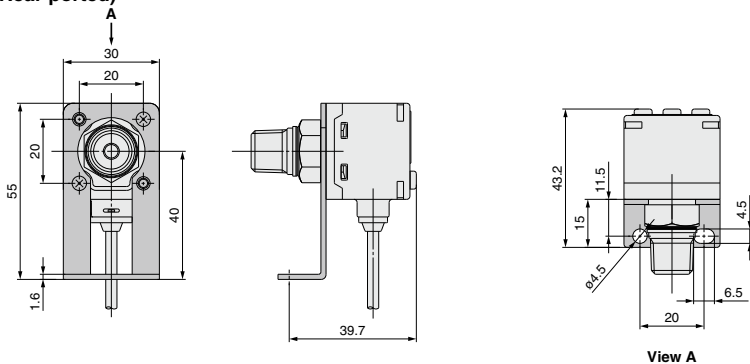


ZSE80/ISE80 Series

Dimensions

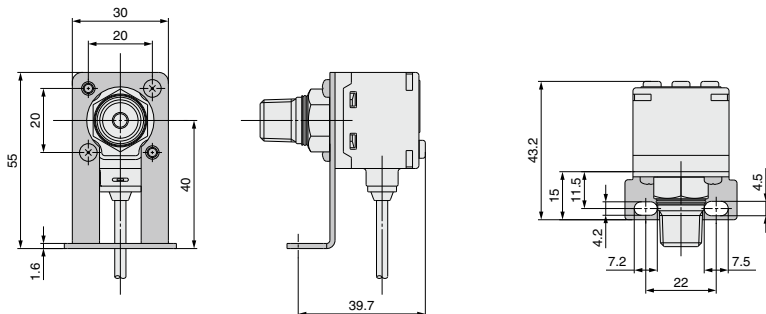
With bracket (Rear ported)

- ZS-24-A

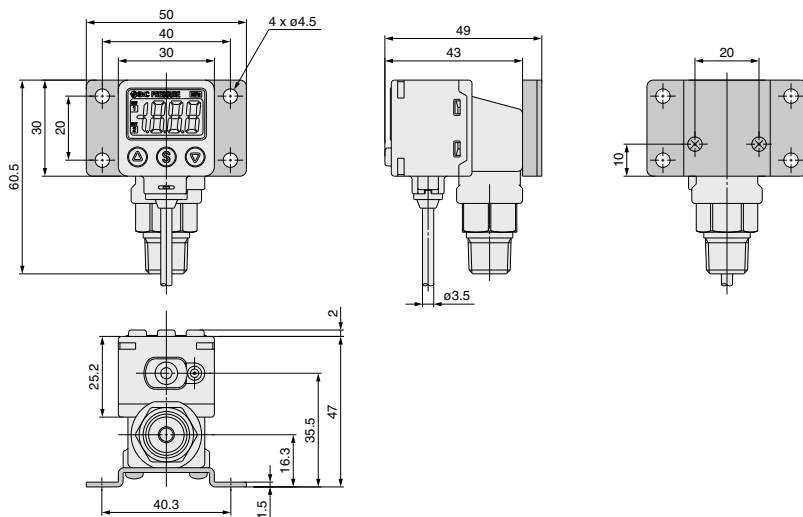


With bracket (Rear ported)

- ZS-24-D

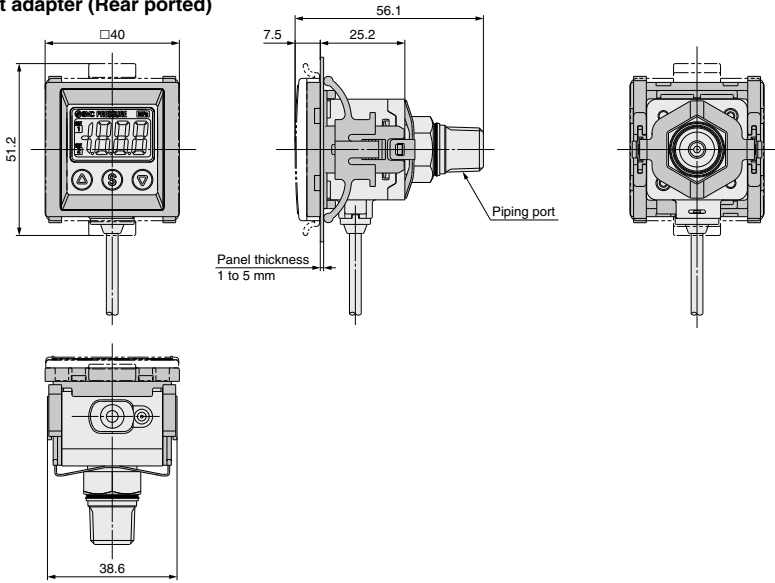


With bracket (Bottom ported)

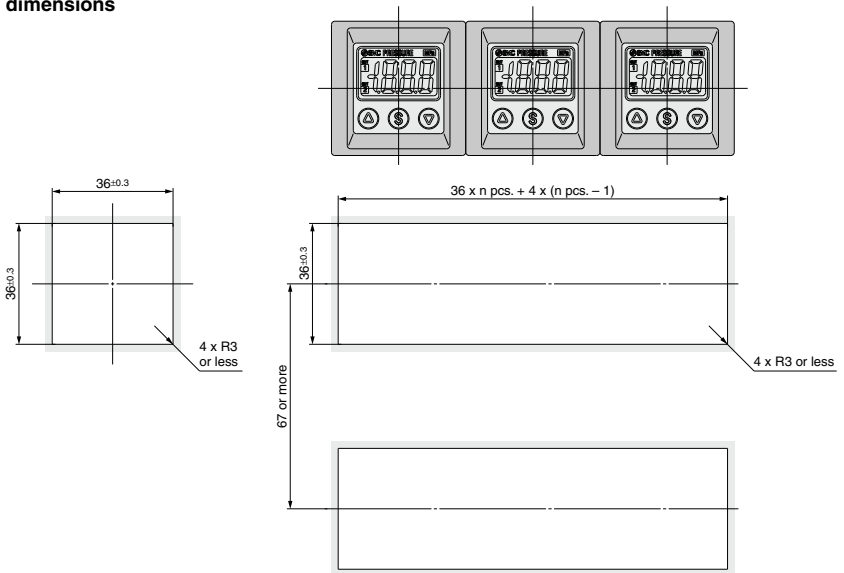


Dimensions

Panel mount adapter (Rear ported)



Panel fitting dimensions

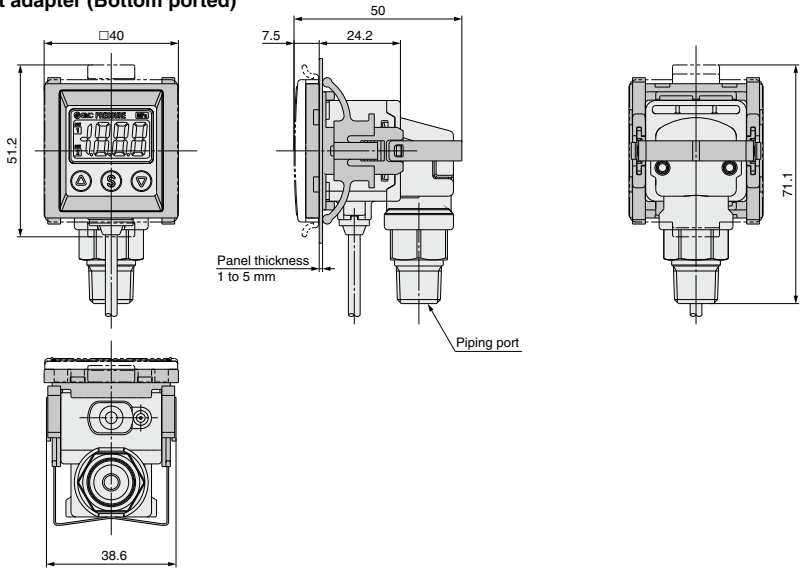


ZSE20
ISE20
ZSE30
ISE30
ZSE40
ISE40
ZSE10
ISE10
ISE70
ZSE80
ISE80
PS
ISA3
ISA2
ISE35
PSE
IS
ISG
ZSM1

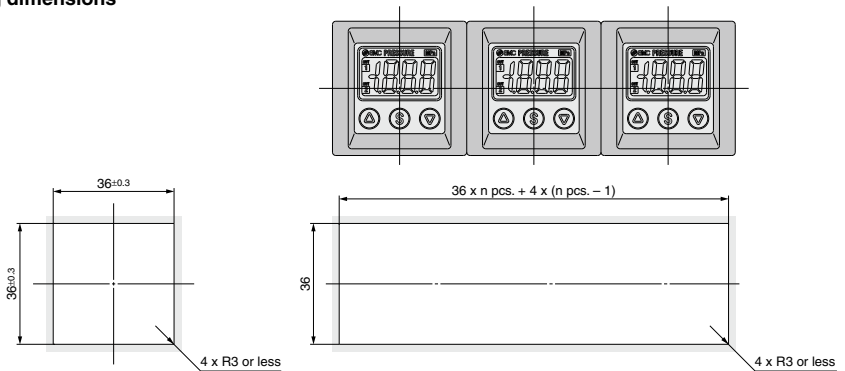
ZSE80/ISE80 Series

Dimensions

Panel mount adapter (Bottom ported)



Panel fitting dimensions



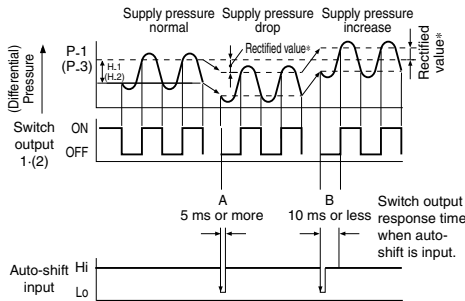
The \square in () shows the function code number. Refer to the Operation Manual for the details of operation procedures and function codes. Click [here](#) for details.

Function Details

A Auto-shift function (F4)

When there are large fluctuations in the supply pressure, the switch may fail to operate correctly. The auto-shift function compensates such supply pressure fluctuations. It measures the pressure at the time of auto-shift signal input and uses it as the reference pressure to correct the set-value on the switch.

Set-value correction by auto-shift function



* Rectified value

When the auto-shift is selected, "ooo" will be displayed for approximately 1 second, and the pressure value at that point will be saved as a rectified value "C_5". Based on the saved rectified values, the set-value (Note) of "P_1", "H_1", "P_2", and "H_2" will likewise be rectified.

Note) When an output is reversed, "n_1", "H_1", "n_2", "H_2" will be rectified.

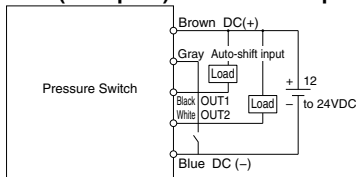
Settable Range for Auto-Shift Input

	Set pressure range	Settable range
Compound pressure	-110.0 to 110.0 kPa	-220 to 220 kPa
Vacuum pressure	10.0 to -111.0 kPa	121.0 to -121.0 kPa
Positive pressure	-0.105 to 1.100 MPa	-1.205 to 1.205 MPa
	-0.105 to 2.20 MPa	-2.31 to 2.31 MPa

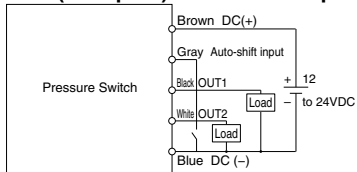
Auto-shift zero

The basic function of auto-shift zero is the same as the function for auto-shift. Also, it corrects values on the display, based on a pressure value of 0, when the auto-shift is selected.

Output specifications: -R/-S NPN (2 outputs) + Auto-shift input



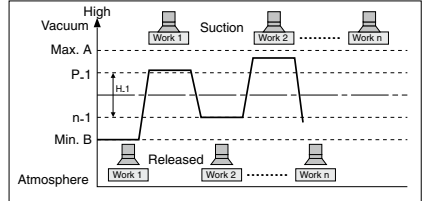
Output specifications: -T/-V PNP (2 outputs) + Auto-shift input



B Auto-preset function (F8)

Auto-preset function, when selected in the initial setting, calculates and stores the set-value from the measured pressure. The optimum set-value is determined automatically by repeating vacuum and break with the target workpiece several times.

Suction Verification

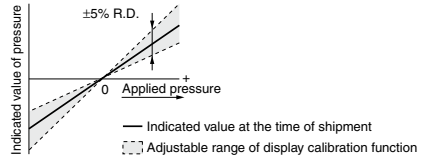


Formula for Obtaining the Set-Value

P_1 or P_2	H_1 or H_2
$P_1 (P_2) = A - (A-B)/4$	$H_1 (H_2) = (A-B)/2$
$n_1 (n_2) = B + (A-B)/4$	

C Display calibration function (F7)

Fine adjustment of the indicated value of the pressure sensor can be made within the range of $\pm 5\%$ of the read value. (The scattering of the indicated value can be eliminated.)



Note) When the display calibration function is used, the set pressure value may change ± 1 digit.

D Peak/Bottom value indication

This function constantly detects and updates the maximum (minimum) value and allows to hold the maximum (minimum) pressure value.

When the \odot \ominus buttons are simultaneously pressed for 1 second or longer, while "holding", the hold value will be reset.

E Keylock function

Prevents operation errors such as accidentally changing setting values.

F Zero-clear function

This function clears and resets the zero value on the display of measured pressure.

For the pressure switch with analog output, the analog output shifts according to the indication. The indicated value can be adjusted within $\pm 10\%$ F.S. of the pressure when ex-factory.

ZSE20
ISE20
ZSE30
ISE30
ZSE40
ISE40
ZSE10
ISE10
ISE70
ZSE80
ISE80
PS
ISA3
ISA2
ISE35
PSE
IS
ISG
ZSM1

The F□ in () shows the function code number. Refer to the Operation Manual for the details of operation procedures and function codes. Click [here](#) for details.

Function Details

G Error indication function

Error name	Error code	Description
Overcurrent error	Er1	Load current of 80 mA or more is applied to the switch output (OUT1).
	Er2	Load current of 80 mA or more is applied to the switch output (OUT2).
Residual pressure error	Er3	It is still applied with pressure that is $\pm 10\%$ over the atmospheric pressure and the upper limit of the rated pressure range when it is cleared to zero. * After displaying the error code for 1 second, the switch automatically returns to the measuring mode. Due to individual product differences, the setting range varies ± 1 digits.
Applied pressure error	HHH	Supply pressure exceeds the maximum set pressure.
	LLL	Supply pressure is below the minimum set pressure.
Auto-shift error	or	The value measured at the time of auto-shift input is outside the set pressure range. * After displaying the error code for one second, the switch returns to the measuring mode.
System error	Er0	Internal data error
	Er4	Internal data error
	Er7	Internal data error

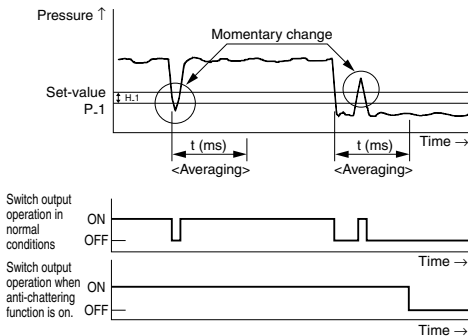
H Anti-chattering function (F3)

A large bore cylinder or ejector consumes a large volume of air in operation and may experience a temporary drop in the supply pressure. This function prevents detection of such temporary drops in the supply pressure as an error.

Available response time settings
20 ms, 100 ms, 500 ms, 1000 ms, 2000 ms

<Principle>

This function averages pressure values measured during the response time set by the user and then compares the average pressure value with the pressure set point value to output the result on the switch.



I Display unit switching function (F0)

Display units can be switched with this function.

Model	Pressure range	For compound pressure		For positive pressure	
		ZSE80F	ZSE80	ISE80	ISE80H*
PA	kPa	0.1	0.1	1	—
	MPa	0.001	0.001	0.001	0.001
GF	kgf/cm ²	0.001	0.001	0.01	0.01
BAR	bar	0.001	0.001	0.01	0.01
PSI	psi	0.02	0.02	0.1	1
INH	inHg	0.1	0.1	—	—
MMHG	mmHg	1	1	—	—

* ISE80H: Does not indicate the last digit when the pressure is 2.000 MPa or higher.

J Power-saving mode (F9)



The numerical value disappears and the decimal points blink.

Power-saving mode can be selected.

It shifts to the power-saving mode without button operation for 30 seconds. It is set to the normal mode (Power-saving mode is OFF.) when ex-factory. (Decimal points and operation indicator light (only when the switch output is turned ON.) blink in the power-saving mode.)

K Setting of secret code (F10)



Input an arbitrary 3-digit value.

* The set-value can be confirmed when the key is locked.

Users can select whether a secret code must be entered to release key lock. At the time of shipment from the factory, it is set such that the secret code is not required.

ZSE80/ISE80 Series Made to Order 1

Please contact SMC for detailed dimensions, specifications and lead times.



1 Wetted Parts: Stainless Steel 316L

This pressure switch has better corrosion resistance that uses stainless steel 316L for the wetted parts (pressure sensor and fitting).

How to Order

* Refer to "How to Order" on page 92 for standard specifications.



Note 1) Not applicable to the rated pressure -0.1 to 2 MPa specifications (ISE80H).
Note 2) A restrictor (equivalent to -X510) is installed inside the fitting. (Piping specifications A2(L) and B2(L) are excluded.)

Specifications

Model	ZSE80(F)	ISE80
Withstand pressure	500 kPa	1.5 MPa
Applicable fluid	Liquids and gases do not corrode stainless steel 316L	

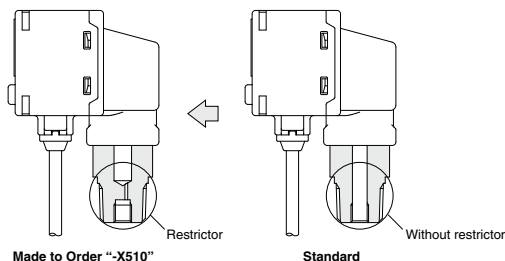
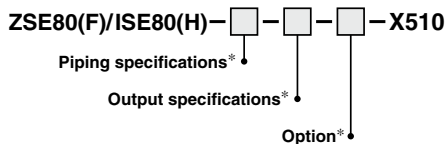
Models other than above are the same specifications as standard.

3 Restrictor Installed Fitting

A restrictor is installed inside the fitting in order to improve endurance of water collision with inertia force in the piping when adsorption is broken.

How to Order

* Refer to "How to Order" on page 92 for standard specifications.



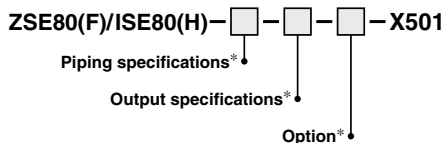
Note 1) Not applicable for piping specifications A2(L) and B2(L).
Note 2) Sometimes does not work for suppression of water hammer effect even if this product is used. Take other measures in such a case.

2 Lead Wire Length 3 m

It has a lead wire extended to 3 meters.

How to Order

* Refer to "How to Order" on page 92 for standard specifications.



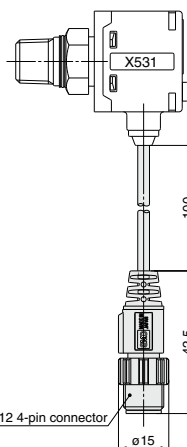
4 M12 4-pin Pre-wired Connector (Lead wire length 100 mm)

How to Order

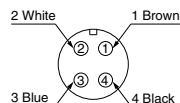
* Refer to "How to Order" on page 92 for standard specifications.



A: NPN open collector 2 outputs
B: PNP open collector 2 outputs



Connector pin numbers



Pin no.	Pin name
1	DC(+)
2	OUT(2)
3	DC(-)
4	OUT(1)

