

# 5 Port Solenoid Valve Plug Lead Type

## S0700 Series



### Body Ported

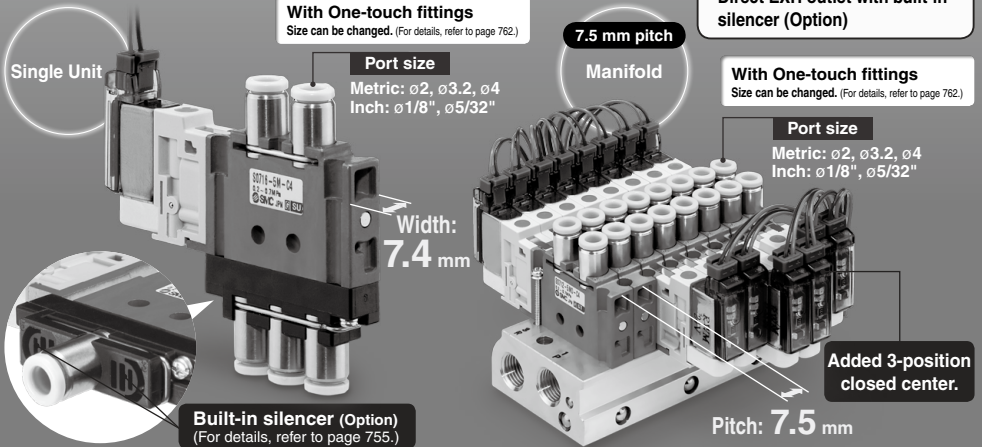
#### Flow rate characteristics\*

\* For single/double solenoid

**C [dm<sup>3</sup>/(s·bar)]: 0.6**

- Valve width: **7.4 mm**
- Possible to drive cylinders: Up to **∅32** (300 mm/s)  
\* For details, refer to page 741.
- Power consumption: **0.35 W**
- Weight: **39 g**  
\* Single solenoid, built-in silencer type

- Added 3-position closed center.
- Direct EXH outlet with built-in silencer (Option)



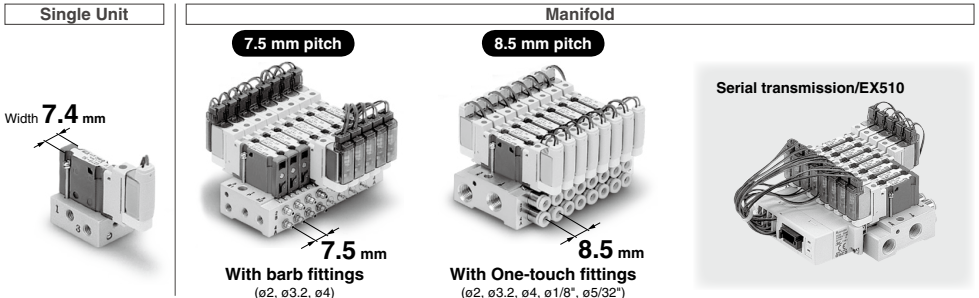
### Base Mounted

#### Flow rate characteristics

**C [dm<sup>3</sup>/(s·bar)]: 0.39**

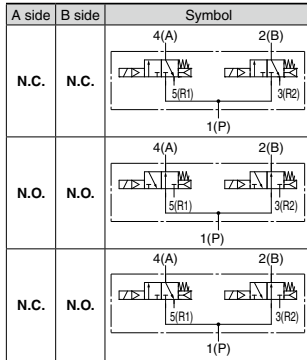
- Possible to drive cylinders: Up to **∅25** (300 mm/s)  
\* For details, refer to page 741.
- Power consumption: **0.35 W**

Added 3-position closed center.



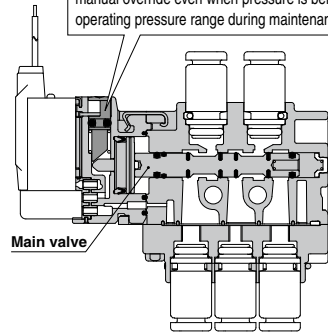
### 4-Position Dual 3-Port Valve

- Two 3-port valves in one body.
- Independently operating 3-port valve at each side of A and B.
- Number of stations occupied for 3-port valve halved.
- Available as 4-position 5-port valve.

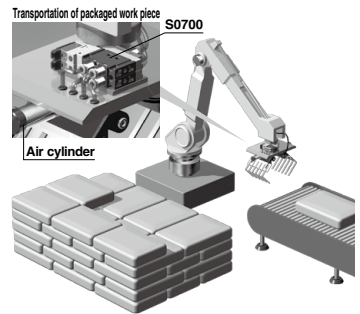
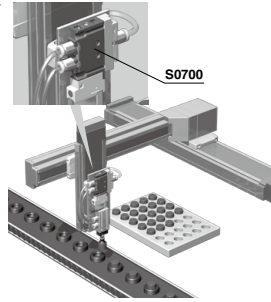
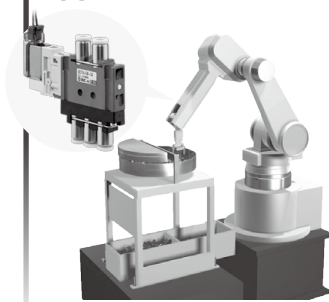


### Adopted Direct Manual.

Possible to switch the main valve reliably by direct manual override even when pressure is below the operating pressure range during maintenance.



### Applications



### Plug-in Type Series Variations

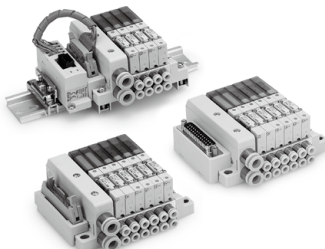
For details, refer to page 645.

#### Slim Compact Plug-in Manifold Bar Base

Footprint: Reduced by **45%\***

Height: Reduced by **20 mm\***

\* Compared with plug-in manifold stacking base



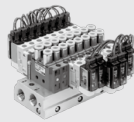
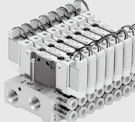
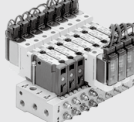


#### Plug-in Manifold Stacking Base

Many Combinations Available to Fit Your Needs

- Serial transmission  
EX180/EX260/EX250  
EX600/EX500/EX510
- D-sub connector
- Flat ribbon cable
- Terminal block box
- Lead wire
- Circular connector



## Variations/Options

Base model		Body Ported		Base Mounted		Single Unit					
		Manifold pitch: 7.5 mm Page 745		Manifold pitch: 8.5 mm Page 750		Manifold pitch: 7.5 mm Page 750		Body Ported Page 742	Base Mounted Page 747		
											
		SS0752-□□C		SS0755-□C□C		SS0755-□V□C		S07□6-5□□□□	S07□5-5□-M5		
Piping specifications	Port size	1(P), 3(R)	M5				●			●	
			Rc1/8	●		●					
			ø2						●		
			ø4						●		
			ø1/8"						●		
				ø5/32"				●			
		4(A), 2(B)	M3				●				
	M5				●				●		
	ø2		●		●		● Note 1)	●			
	ø3.2				●		● Note 1)				
	ø4		●		●		● Note 1)	●			
	ø1/8"		●		●			●			
				ø5/32"	●		●		●		
	Type of wiring	C Kit: Connector		C Kit: Connector S Kit: Serial transmission (EX510)		C Kit: Connector		Connector kit	Connector kit		
Direct EXH outlet with built-in silencer	—		—		—		● Page 755	—			
Blanking plate assembly	● Page 755		● Page 755		● Page 755		—	—			
External pilot	● Note 2) Page 755		● Note 2) Page 755		● Note 2) Page 755		● Note 2) Page 755	● Note 2) Page 755			
Individual SUP spacer	—		● Page 755		● Page 755		—	—			
Individual EXH spacer	—		● Page 756		● Page 756		—	—			
Port plug	—		● Page 756		—		—	—			
Blanking plug	● Page 756		● Page 756		—		● Page 756	● Page 756			
Silencer (For manifold EXH port)	● Page 756		● Page 756		● Page 756		—	—			
Double check block (Separated)	● Page 757		● Page 757		● Page 757		● Page 757	● Page 757			

Note 1) For barb fittings  
Note 2) Not compatible with dual 3-port valves.

SJ

SY

SY

S0700

S0700

# INDEX

Valve Specifications ..... Page 739

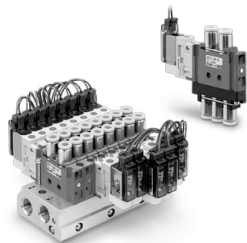
Manifold/Single Unit Specifications ..... Page 740

Manifold Flow Rate Characteristics ..... Page 740

Cylinder Speed Chart ..... Page 741

Symbol ..... Page 741

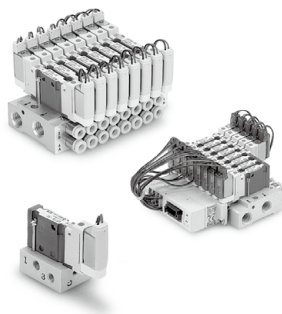
## Body Ported Bar Base



Single Unit ..... Page 742

Manifold Individual Wiring **C** Kit ..... Page 745

## Base Mounted Bar Base



Single Unit ..... Page 747

Manifold Individual Wiring **C** Kit ..... Page 750

Serial Transmission **S** Kit ..... Page 753

Options ..... Page 755

Construction ..... Page 758

Replacement Parts ..... Page 760

Specific Product Precautions ..... Page 761

# S0700 Series Valve Specifications

## Valve Specifications

### Model

Type	Type of actuation	Model	Flow rate characteristics						Note 2) 3)	Note 4)	
			1→4/2 (P→A/B)			4/2→5/3 (A/B→R1/R2)			Response time [msec]	Weight [g]	
			C [dm <sup>3</sup> /(s·bar)]	b	Cv	C [dm <sup>3</sup> /(s·bar)]	b	Cv			
Body Ported	Single Unit Page 742	2-position Single	S0716	0.62	0.44	0.18	0.60	0.41	0.17	22 or less	39
		2-position Double	S0726	0.62	0.44	0.18	0.60	0.41	0.17	10 or less	47
		3-pos. 3-position closed center	S0736	0.54	0.37	0.15	0.50	0.38	0.14	45 or less	47
	Manifold Bar Base Page 745	4-pos. Dual 3-port valve	S07 <sub>B</sub> <sup>A</sup> <sub>C</sub> 6	0.58	0.39	0.16	0.67	0.37	0.18	25 or less	49
		2-position Single	S0712	0.51	0.40	0.15	0.64	0.33	0.15	22 or less	34
		2-position Double	S0722	0.51	0.40	0.15	0.64	0.33	0.15	10 or less	42
Base Mounted	Single Unit Page 747	3-pos. 3-position closed center	S0732	0.54	0.37	0.10	0.46	0.38	0.08	45 or less	42
		4-pos. Dual 3-port valve	S07 <sub>B</sub> <sup>A</sup> <sub>C</sub> 2	0.57	0.39	0.15	0.55	0.37	0.15	25 or less	44
	Manifold Bar Base Page 750	2-position Single	S0715	0.39	0.39	0.11	0.37	0.39	0.10	12 or less	28
		2-position Double	S0725	0.39	0.39	0.11	0.37	0.39	0.10	10 or less	36
		3-pos. 3-position closed center	S0735	0.29	0.29	0.07	0.26	0.21	0.06	28 or less	38
		4-pos. Dual 3-port valve	S07 <sub>B</sub> <sup>A</sup> <sub>C</sub> 5	0.34	0.34	0.09	0.33	0.33	0.08	12 or less	36

- Note 1) Values for cylinder port fitting port size C4. The flow rate of a body ported single valve is the SUP and EXH port C4 value.  
 Note 2) Based on JIS B 8419-2010 (Supply pressure: 0.5 MPa, with indicator light and surge voltage suppressor, clean air. This will change depending on pressure and air quality.) The value when ON for the double type.  
 Note 3) If the product is used in the following conditions or environment, switching of the valve may be significantly delayed compared to the above values.  
 1. The first response time when the valve is not used for a long period of time  
 2. When using in an environment where the ambient and fluid temperature is low (10°C or less)  
 Note 4) The weight of a single unit of the valve includes a built-in EXH port silencer.  
 Note 5) The flow rate of the body ported product with an external pilot decreases by 10%.  
 Note 6) The flow rate of the body ported product with a built-in silencer decreases by 30%.





### Specifications

Valve specifications	Valve construction	Rubber seal
	Fluid	Air
	Maximum operating pressure	0.7 MPa
	Minimum operating pressure	0.2 MPa
	Ambient and fluid temperature	-10 to 50°C (Note 1)
	Maximum operating cycle	5 Hz
	Pilot valve exhaust method	Individual exhaust
	Pilot valve manual override	Push type
	Lubrication	Not required
	Impact/Vibration resistance (Note 2)	30/100 m/s <sup>2</sup>
	Enclosure	IP40
Noise reduction (Built-in silencer)	20 dB(A) (Note 3)	
Electrical specifications	Coil rated voltage	24 VDC
	Allowable voltage fluctuation	±10% of rated voltage
	Coil insulation type	Class B or equivalent
	Power consumption (Current)	24 VDC DC 0.35 W (15 mA)

- Note 1) Use dry air to prevent condensation when operating at low temperatures.  
 Note 2) Impact resistance: No malfunction occurred when it is tested with a drop tester in the axial direction and at the right angles to the main valve and armature in both energized and de-energized states every once for each condition.  
 Vibration resistance: No malfunction occurred in a one-sweep test between 8.3 and 2000 Hz. Test was performed at both energized and de-energized states in the axial direction and at the right angles to the main valve and armature.  
 Note 3) The value may vary depending on the pneumatic circuit or pressure.

# S0700 Series

## Manifold/Single Unit Specifications

Model	Piping specifications		Type of connection	Note 1) Applicable stations	Note 3) 5-station weight [g]	Note 3) Addition per station [g]
	Port size					
	1 (P), 3 (R)	4 (A), 2 (B)				
<b>Body Ported</b>  <b>SS0752-□□C</b>	Rc1/8	C2 (ø2) C4 (ø4) N1 (ø1/8") N3 (ø5/32")	C Kit: Connector	Max. 20 stations	76	10
<b>Base Mounted</b>  <b>SS0755-□□C</b>	Rc1/8	M5 thread C2 (ø2) C3 (ø3.2) C4 (ø4) N1 (ø1/8") N3 (ø5/32")	C Kit: Connector	Max. 20 stations	115	20
			<b>Manifold pitch: 8.5 mm</b> Page 750	S Kit: Serial transmission (EX510)	Max. 16 stations	Note 2) 115
	<b>Manifold pitch: 7.5 mm</b> Page 750	M5 thread	M3 (M3 thread) V2 (ø2 Barb fitting) V3 (ø3.2 Barb fitting) V4 (ø5 Barb fitting)	C Kit: Connector	Max. 20 stations	75
<b>Single Unit</b> <b>Body Ported</b>  <b>S07□6-5□-□-□</b>	C2 (ø2) C4 (ø4) N1 (ø1/8") N3 (ø5/32")	C2 (ø2) C4 (ø4) N1 (ø1/8") N3 (ø5/32")	Connector kit	—	—	—
<b>Base Mounted</b>  <b>S07□5-5□-□-□</b>	M5 thread	M5 thread	Connector kit	—	14 Note 4)	
<b>Page 747</b>						

Note 1) Maximum stations in the case of mixed single and double wiring (special wiring specifications)

Note 2) Differs depending on the serial unit type. For details, refer to page 897.

Note 3) Weight excluding valve. For valve weight, refer to page 739.

Note 4) Weight of sub-plate only. For valve weight, refer to page 739.

## Manifold Flow Rate Characteristics

Model	Port size		Flow rate characteristics			
			1→4/2 (P→A/B)		4/2→5/3 (A/B→EA/EB)	
	1, 5, 3 (P, EA, EB)	4, 2 (A, B)	C [dm <sup>3</sup> /(s·bar)]	Cv	C [dm <sup>3</sup> /(s·bar)]	Cv
<b>SS0752-□□C</b>	1/8	C4	2.6	0.71	2.7	0.75
<b>SS0755-□□C</b>	1/8	C4	2.1	0.58	1.9	0.53
<b>SS0755-□□V</b>	M5 thread	V4	0.86	0.24	0.86	0.24

\* When 5-station single solenoids are operated simultaneously.

## Cylinder Speed Chart

Applicable cylinder speed	Type	Applicable cylinder							
		ø6	ø10	ø16	ø20	ø25	ø32	ø40	ø50
100 mm/s or less	Body Ported								●
	Base Mounted							●	
300 mm/s or less	Body Ported						●		
	Base Mounted					●			
500 mm/s or less	Body Ported			●					
	Base Mounted	●							

[Common conditions]

- Pressure: 0.5 MPa
- Piping length: 1 m
- Load ratio: 50%
- Stroke: 200 mm

\* Use as a guide for selection.

Please confirm the actual conditions with SMC Model Selection Software.

SJ

SY

SY

S0700

S0700

## Symbol

Model	Type of actuation	Symbol
S0712 S0716 S0715	2-position single	
S0722 S0726 S0725	2-position double	
S0732 S0736 S0735	3-position closed center	
S07A2 S07A6 S07A5	4-position dual 3-port N.C. + N.C. (Exhaust center)	
S07B2 S07B6 S07B5	4-position dual 3-port N.O. + N.O. (Pressure center)	
S07C2 S07C6 S07C5	4-position dual 3-port N.C. + N.O.	

Plug Lead Type

Body Ported

# Single Unit S0700 Series



## How to Order Valves

S07 1 6 S - 5 G - C4

### Type of actuation

Symbol	Specifications
1	2-position single
2	2-position double
3	3-position closed center
A	4-position dual 3-port (N.C. + N.C.) (Exhaust center)
B	4-position dual 3-port (N.O. + N.O.) (Pressure center)
C	4-position dual 3-port (N.C. + N.O.)

### Body Ported

Note) It cannot be mounted on a manifold.

### Function

Symbol	Type	
Nil	EXH port: With One-touch fitting	
S	EXH outlet: With built-in silencer Note 1)	
R	External pilot Note 2)	

Note 1) Refer to page 755.

Note 2) Not compatible with dual 3-port valves.

### P, E port/A, B port size

Symbol	Port size
C2	ø2 One-touch fitting
C4	ø4 One-touch fitting
N1	ø1/8" One-touch fitting
N3	ø5/32" One-touch fitting

Note) For external pilots, the P, E, and X ports are size M3. (Refer to page 744.)

### Electrical entry

Symbol	Specifications	Configuration
G	Grommet	
M	M-type plug connector, with 300 mm lead wire (With light/surge voltage suppressor)	
MO	M-type plug connector, without lead wire (With light/surge voltage suppressor)	

### Voltage

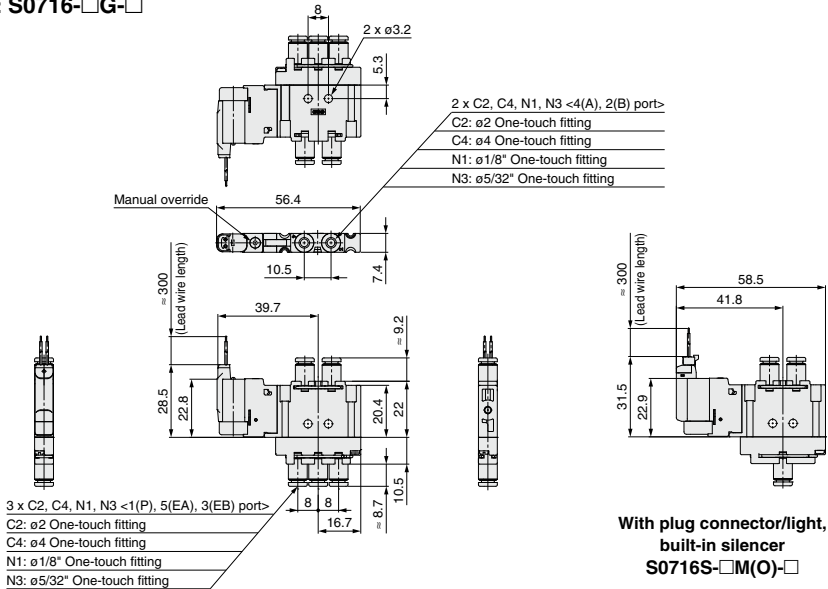
Symbol	Type
5	24 VDC
6	12 VDC



## Dimensions

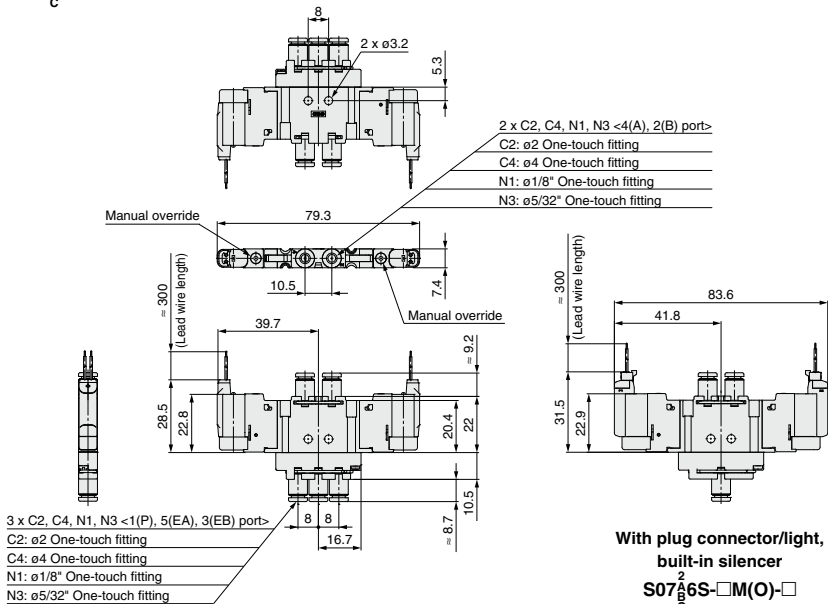
### 2-Position Single

Grommet: S0716-□G-□



### 2-Position Double/4-Position Dual 3-Port

Grommet: S0716-□G-□



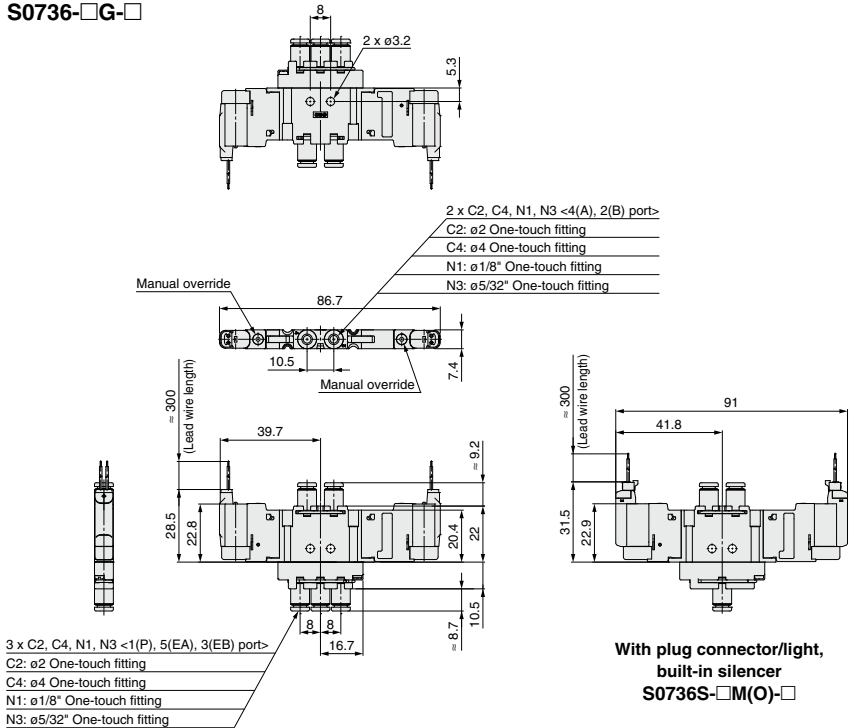
SJ
SY
SY
S0700
S0700

# S0700 Series

## Dimensions

### 3-Position Closed Center

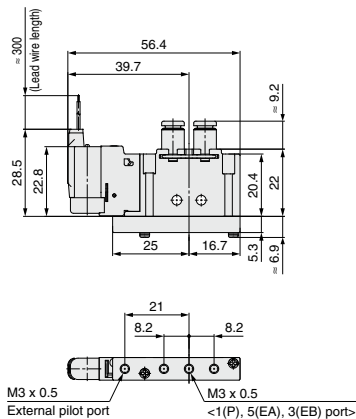
Grommet (S): S0736-□G-□



### External Pilot

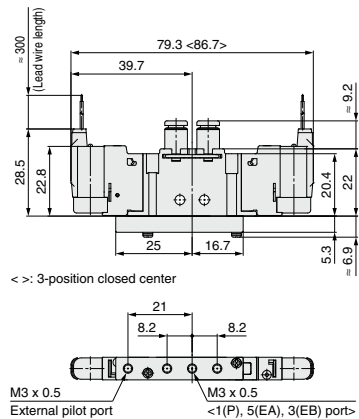
#### 2-Position Single

Grommet (G): S0716R-□G-□-□



#### 2-Position Double/3-Position Closed Center

Grommet (G): S0736R-□G-□-□

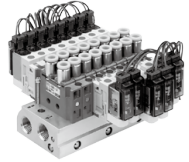


\* Other dimensions are the same as the internal pilot.

Plug Lead Type

# Body Ported Manifold Bar Base Individual Wiring: C Kit

## S0700 Series



### How to Order Manifold

SS07 5 2 - 08 C - [ ] - [ ]

5 port

Body Ported

Stations

Symbol	Stations
02	2 stations
03	3 stations
⋮	⋮
20	20 stations

(Note) Max. 20 stations

Thread type  
1(P), 3/5(R) port

Nil	Rc
00N	NPT
00T	NPTF
00F	G

Option

Symbol	Type
NII	None
R	External pilot

Individual wiring

### How to Order Valves

S07 1 2 [ ] - 5 G - C4

Body Ported  
Manifold Bar Base

(Note) The valve cannot be used as a stand-alone unit.

Function

Symbol	Type
Nil	Standard
R	External pilot (Note)

(Note) Not compatible with dual 3-port valves.

Voltage

Symbol	Type
5	24 VDC
6	12 VDC

Electrical entry

Symbol	Specifications
G	Grommet
M	M-type plug connector, with 300 mm lead wire (With light/surge voltage suppressor)
MO	M-type plug connector, without lead wire (With light/surge voltage suppressor)

Type of actuation

Symbol	Specifications
1	2-position single
2	2-position double
3	3-position closed center
A	4-position dual 3-port (N.C. + N.C.) (Exhaust center)
B	4-position dual 3-port (N.O. + N.O.) (Pressure center)
C	4-position dual 3-port (N.C. + N.O.)

Cylinder port size

Symbol	Port size
C2	ø2 One-touch fitting
C4	ø4 One-touch fitting
N1	ø1/8" One-touch fitting
N3	ø5/32" One-touch fitting

### How to Order Manifold Assembly

Specify the part numbers for valves and options together beneath the manifold base part number.

<Example>

Connector kit

SS0752-08C.....1 set-Manifold base part no.

+ S0712-5G-C4.....2 sets-Valve part no. (Stations 1 to 2)

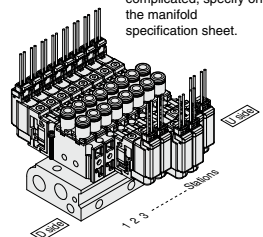
+ S0722-5G-C4.....2 sets-Valve part no. (Stations 3 to 4)

+ S0732-5G-C4.....2 sets-Valve part no. (Stations 5 to 6)

+ S07A2-5G-C4.....2 sets-Valve part no. (Stations 7 to 8)

Prefix the asterisk to the part numbers of the solenoid valve etc.

Write sequentially from the 1st station on the D side. When part numbers written collectively are complicated, specify on the manifold specification sheet.



SJ

SY

SY

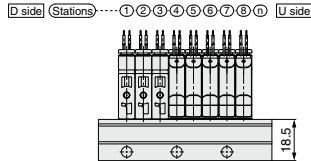
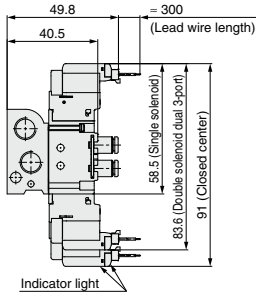
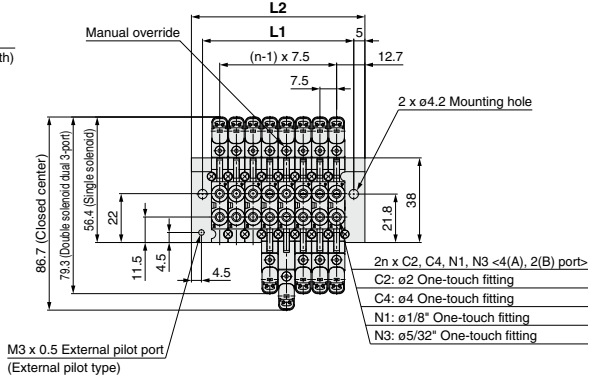
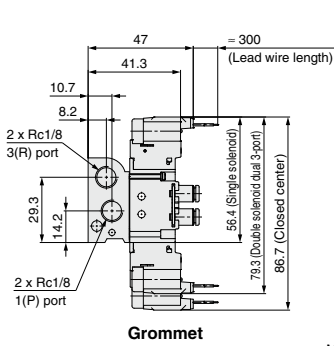
S0700

S0700

# S0700 Series

## Dimensions

### SS0752-□□



## Dimensions

Formula  $L1 = 7.5n + 7.9$ ,  $L2 = 7.5n + 17.9$  n: Station (Maximum 20 stations)

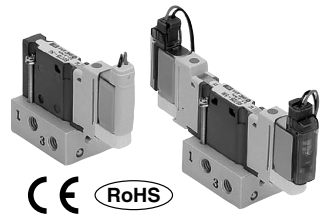
L	n	1	2	3	4	5	6	7	8	9	10	11	12	13	14	15	16	17	18	19	20
<b>L1</b>		15.4	22.9	30.4	37.9	45.4	52.9	60.4	67.9	75.4	82.9	90.4	97.9	105.4	112.9	120.4	127.9	135.4	142.9	150.4	157.9
<b>L2</b>		25.4	32.9	40.4	47.9	55.4	62.9	70.4	77.9	85.4	92.9	100.4	107.9	115.4	122.9	130.4	137.9	145.4	152.9	160.4	167.9

Plug Lead Type

Base Mounted

# Single Unit

## S0700 Series



### How to Order Valves

S07 1 5 □ - 5 G - M5

**Type of actuation**

Symbol	Specifications
1	2-position single
2	2-position double
3	3-position closed center
A	4-position dual 3-port (N.C. + N.C.) [Exhaust center]
B	4-position dual 3-port (N.O. + N.O.) [Pressure center]
C	4-position dual 3-port (N.C. + N.O.)

Note) For symbol, refer to page 741.

Base Mounted

**Function**

Symbol	Type
Nil	Standard
R	External pilot <small>Note)</small>

Note) Not compatible with dual 3-port valves.

With/Without sub-plate

Symbol	Type
Nil	Without sub-plate
M5	With sub-plate

Electrical entry

Symbol	Specifications	Configuration
G	Grommet	
M	M-type plug connector, with lead wire (With light/surge voltage suppressor)	
MO	M-type plug connector, without lead wire (With light/surge voltage suppressor)	

Voltage

Symbol	Type
5	24 VDC
6	12 VDC

SJ

SY

SY

S0700

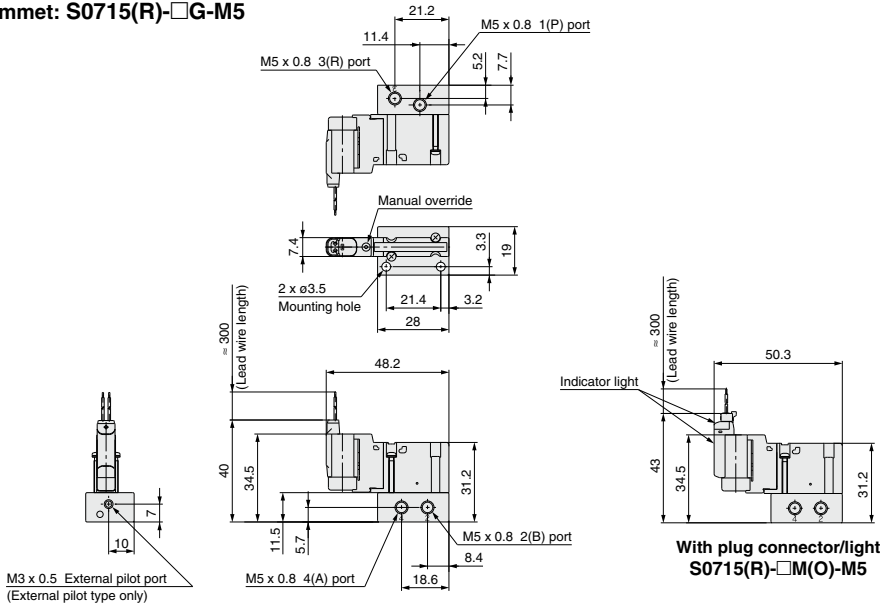
S0700

# S0700 Series

## Dimensions

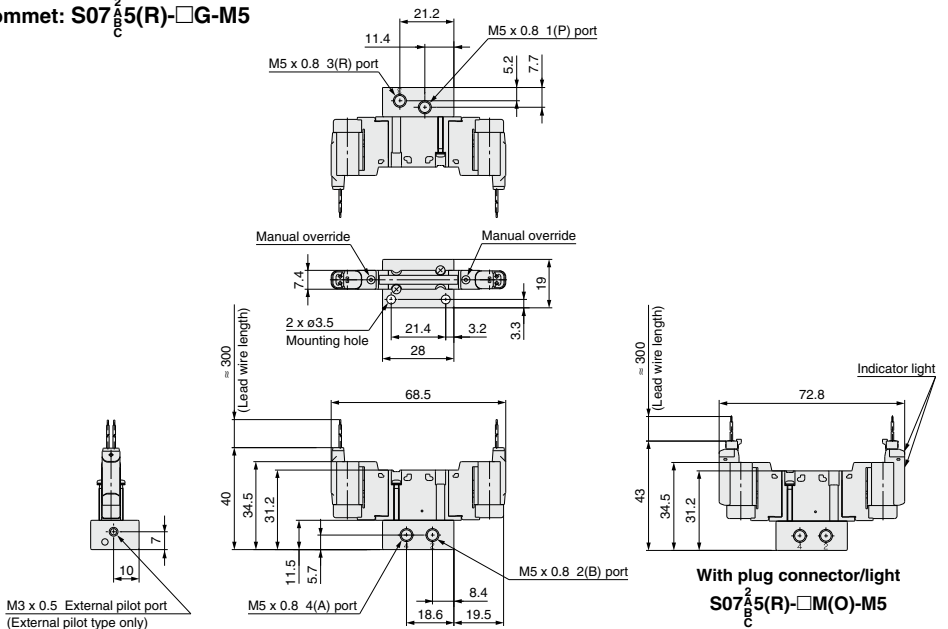
### 2-Position Single

Grommet: S0715(R)-□G-M5



### 2-Position Double/4-Position Dual 3-Port

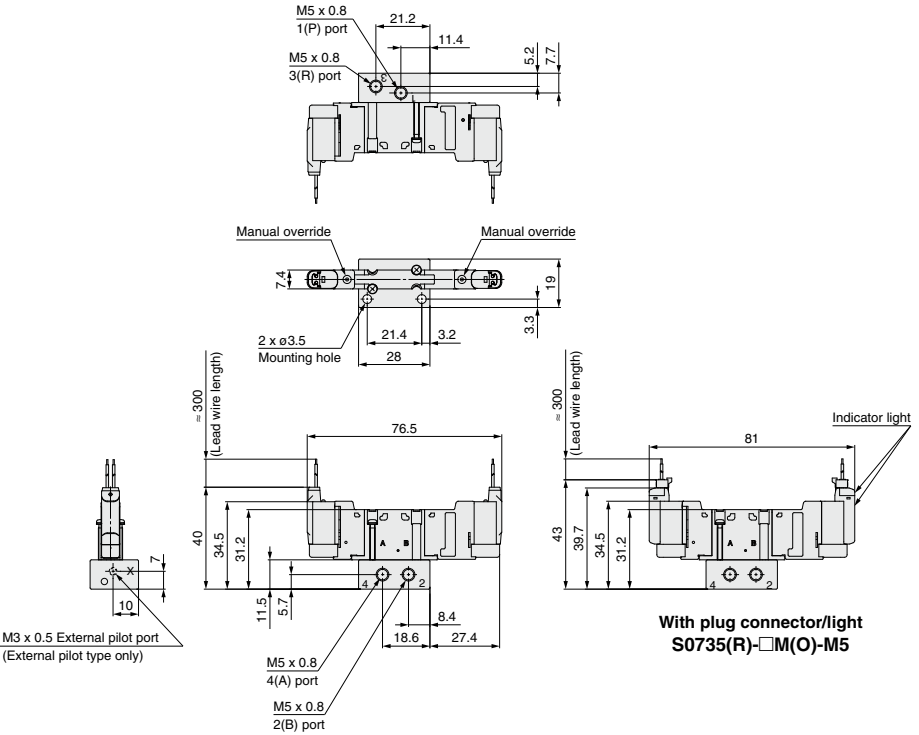
Grommet: S07<sup>2</sup>5(R)-□G-M5



## Dimensions

### 3-Position Closed Center

Grommet: S0735(R)-□G-M5



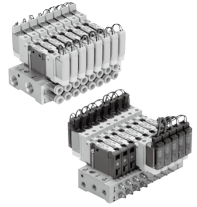
SJ
SY
SY
S0700
S0700

## Plug Lead Type

# Base Mounted Manifold Bar Base

## Individual Wiring: C Kit

### S0700 Series



### How to Order Manifold

SS0755 - 08 C4 C -

Base Mounted

Stations

Symbol	Stations
02	2 stations
⋮	⋮
20	20 stations

Option

Symbol	Type
Nil	None
R (Note)	External pilot

Note) For details, refer to page 755.

\* For manifold optional parts, refer to pages 755 to 757.

Cylinder port size

Symbol	Port size	Manifold pitch
M5	M5 thread	Metric
C2	With ø2 One-touch fitting	
C3	With ø3.2 One-touch fitting	
C4	With ø4 One-touch fitting	
CM	Mixed sizes and with port plug (Note)	
N1	With ø1/8" One-touch fitting	Inch
N3	With ø5/32" One-touch fitting	
NM	Mixed sizes and with port plug (Note)	
M3	M3 thread	
V2	ø2 Barb fitting	
V3	ø3.2 Barb fitting	Metric
V4	ø4 Barb fitting	
VM	Mixed sizes and with port plug (Note)	

Note) Specify "Mixed sizes and with port plug" on the manifold specification sheet.

Connector individual wiring

P, R port thread type

Symbol	Manifold pitch	
	8.5	7.5
Nil	Rc	M5
F	G	/
N	NPT	
T	NPTF	

### How to Order Valves

S07 1 5 - 5 G

Type of actuation

Symbol	Specifications
1	2-position single
2	2-position double
3	3-position closed center
A	4-position dual 3-port (N.C. + N.C.) [Exhaust center]
B	4-position dual 3-port (N.O. + N.O.) [Pressure center]
C	4-position dual 3-port (N.C. + N.O.)

Note) For symbol, refer to page 741.

Electrical entry

Symbol	Specifications
G	Grommet
M	Plug connector, with lead wire (With light/surge voltage suppressor)
MO	Plug connector, without lead wire (With light/surge voltage suppressor)

Voltage

Symbol	Type
5	24 VDC
6	12 VDC

Base Mounted Manifold

Function

Symbol	Type
Nil	Standard
R	External pilot (Note)

Note) Not compatible with dual 3-port valves.

### How to Order Manifold Assembly

Specify the part numbers for valves and options together beneath the manifold base part number.

<Example>

Connector kit

SS0755-07C4C-1 set-Manifold base part no.

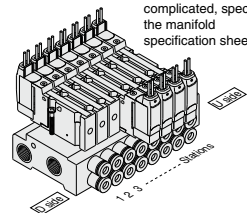
\* S0715-5G ..... 3 sets-Valve part no. (Stations 1 to 3)

\* S0725-5G ..... 2 sets-Valve part no. (Stations 4 to 5)

\* S07A5-5G ..... 2 sets-Valve part no. (Stations 6 to 7)

Prefix the asterisk to the part numbers of the solenoid valve etc.

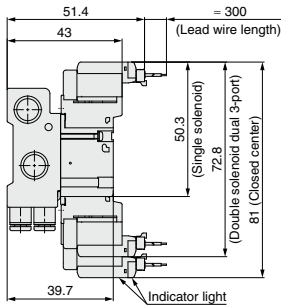
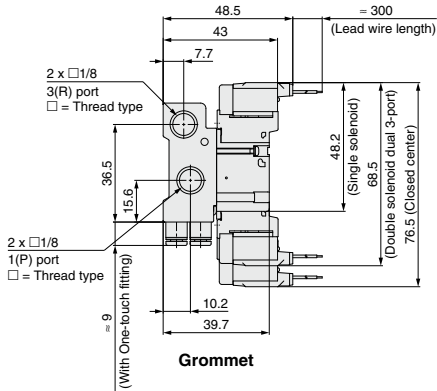
Write sequentially from the 1st station on the D side. When part numbers written collectively are complicated, specify on the manifold specification sheet.



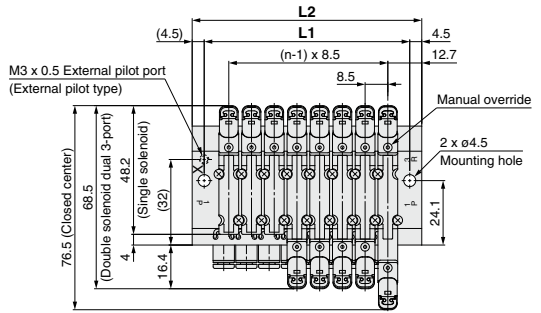


## Dimensions

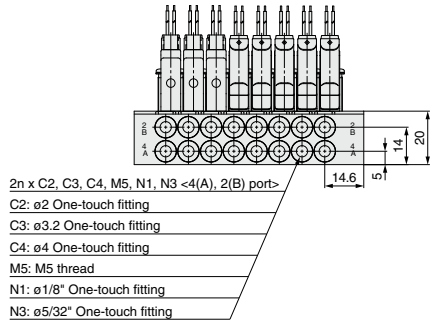
SS0755-□ M5  
 □ □ □  
 □ □ □



With plug connector/light



D side (Stations 1 2 3 4 5 6 7 8 n) U side



SJ  
 SY  
 SY  
 S0700  
 S0700

## Dimensions

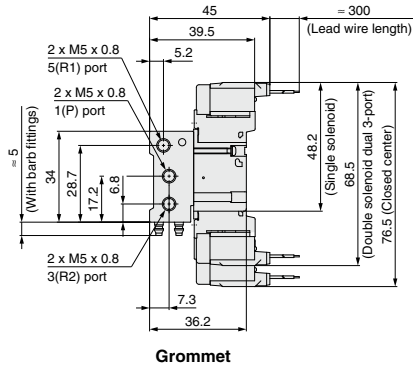
Formula  $L1 = 8.5n + 8.9$ ,  $L2 = 8.5n + 17.9$  n: Station (Maximum 20 stations)

n	2	3	4	5	6	7	8	9	10	11	12	13	14	15	16	17	18	19	20
L1	25.9	34.4	42.9	51.4	59.9	68.4	76.9	85.4	93.9	102.4	110.9	119.4	127.9	136.4	144.9	153.4	161.9	170.4	178.9
L2	34.9	43.4	51.9	60.4	68.9	77.4	85.9	94.4	102.9	111.4	119.9	128.4	136.9	145.4	153.9	162.4	170.9	179.4	187.9

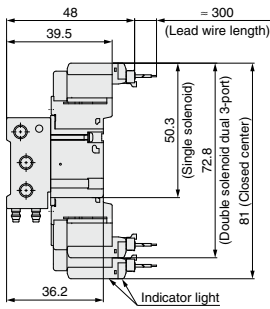
# S0700 Series

## Dimensions

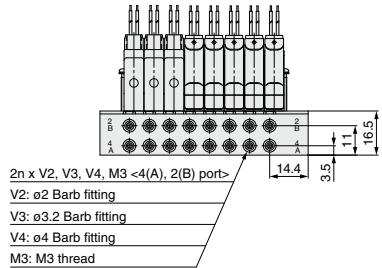
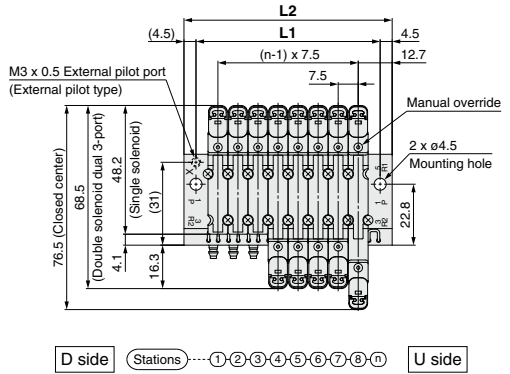
SS0755-□ M3  
V□



Grommet



With plug connector/light



## Dimensions

Formula L1 = 7.5n + 8.9, L2 = 7.5n + 17.9 n: Station (Maximum 20 stations)

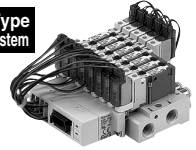
n	2	3	4	5	6	7	8	9	10	11	12	13	14	15	16	17	18	19	20
L1	23.9	31.4	38.9	46.4	53.9	61.4	68.9	76.4	83.9	91.4	98.9	106.4	113.9	121.4	128.9	136.4	143.9	151.4	158.9
L2	32.9	40.4	47.9	55.4	62.9	70.4	77.9	85.4	92.9	100.4	107.9	115.4	122.9	130.4	137.9	145.4	152.9	160.4	167.9

## Plug Lead Type

# Base Mounted Manifold Bar Base

Serial Transmission: **S** Kit **EX510 Gateway Type Serial Transmission System**

## S0700 Series



### How to Order Manifold

**SS0755-SA**    **08** **C4**    -   

**S Kit**  
**EX510 serial wiring**  
(Note) For SI Unit part number, refer to page 897.

**SI Unit output polarity**

Nil	Positive common
N	Negative common

**Stations**

Symbol	Stations
02	2 stations
⋮	⋮
16	16 stations

(Note) The maximum number of stations is determined by the total number of solenoids.  
For mixed single and double wirings, enter "K" to the order code options.

Standard station	Max. number of stations for special wiring specifications	Max. number of solenoids
1 to 8 stations	16 stations	16

Type of actuation	Single	Double, Dual 3-port
Number of solenoids	1	2

For details of the EX510 Gateway Type Serial Transmission System, refer to pages 878 to 906, and the Operation Manual. Please download the Operation Manual via our website, <http://www.smcworld.com>

#### Option

Symbol	Type
Nil	None
K <sup>Note 2)</sup>	Special wiring specifications (Except double wiring)
R <sup>Note 3)</sup>	External pilot

Note 1) When multiple options are specified, indicate them alphabetically. Example) -KR

Note 2) Indicate the wiring specifications for mixed single and double wirings.

Note 3) For details, refer to page 755.

\* For manifold optional parts, refer to pages 755 to 757.

#### P, R port thread type

Symbol	Manifold pitch
Nil	Rc
F	G
N	NPT
T	NPTF

#### Cylinder port size

Symbol	Port size	
M5	M5 thread	Metric
C2	With ø2 One-touch fitting	
C3	With ø3.2 One-touch fitting	
C4	With ø4 One-touch fitting	
CM	Mixed sizes and with port plug <sup>Note)</sup>	Inch
N1	With ø1/8" One-touch fitting	
N3	With ø5/32" One-touch fitting	
NM	Mixed sizes and with port plug <sup>Note)</sup>	

(Note) Specify "Mixed sizes and with port plug" on the manifold specification sheet.

### How to Order Valves

**S07** 1 5    - **5 MO**

**Type of actuation**

Symbol	Specifications
1	2-position single
2	2-position double
3	3-position closed center
A	4-position dual 3-port (N.C. + N.C.) [Exhaust center]
B	4-position dual 3-port (N.O. + N.O.) [Pressure center]
C	4-position dual 3-port (N.C. + N.O.)

(Note) For symbol, refer to page 741.

**Electrical entry**  
M-type plug connector, without lead wire (With light/surge voltage suppressor)

**Voltage: 24 VDC**

#### Function

Symbol	Type
Nil	Standard
R	External pilot <sup>Note)</sup>

(Note) Not compatible with dual 3-port valves.

**Base Mounted Manifold**

### How to Order Manifold Assembly

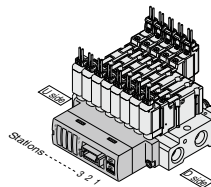
Specify the part numbers for valves and options together beneath the manifold base part number.

#### <Example>

Serial transmission kit  
**SS0755-SA08C4**.....1 set-Manifold base part no.  
 + **S0715-5MO**.....3 sets-Valve part no. (Stations 1 to 3)  
 + **S0725-5MO**.....3 sets-Valve part no. (Stations 4 to 6)  
 + **S07A5-5MO**.....2 sets-Valve part no. (Stations 7 to 8)

Prefix the asterisk to the part numbers of the solenoid valve etc.

Write sequentially from the 1st station on the D side. When part numbers written collectively are complicated, specify on the manifold specification sheet. The connector assembly lead wire length used for EX510 manifold varies depending on the number of stations. Therefore, solenoid valves (including a blanking plate) and connector assembly are assembled when shipped as a standard specification. Specify the mounting solenoid valve when ordering.



SJ  
SY  
SY  
S0700  
S0700



# S0700 Series Options

Body Ported

## Direct EXH outlet with built-in silencer [S]

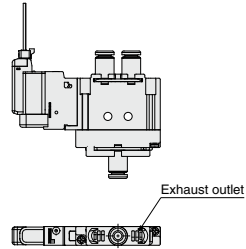
Since a silencer is built into the exhaust port of the valve, it has a high silencing effect. (Noise reduction: 20 dB(A))

- How to Order Valves (Example)  
S0716 S -5G-C4

↓  
Built-in silencer

Note) A large quantity of drainage generated in the air source results in exhaust of air together with drainage.

- For maintenance, refer to page 762.



Body Ported

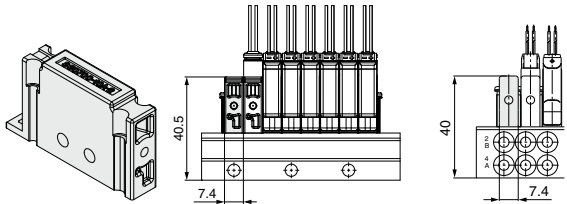
Base Mounted

## Blanking plate assembly

### SS0700-10A-2/SS0700-10A-5

It is used by attaching on the manifold block for being prepared for removing a valve for maintenance reasons or planning to mount a spare valve etc.

Applicable manifold	Part no.	Weight
Body ported	SS0752 SS0700-10A-2	28 g
Base mounted	SS0755 SS0700-10A-5	21 g



Body Ported (SS0752)

Base Mounted (SS0755)

Body Ported

Base Mounted

## External pilot [-R]

This can be used when the air pressure is lower than the minimum operating pressure (0.2 MPa) of the solenoid valves or used for vacuum specification. Add "-R" to the part numbers of manifolds and valves to indicate the external pilot specification.

An M3 port will be installed on the top side of the manifold's SUP/EXH block.

- How to Order Valves (Example)  
S0712 R -5G-C4

↓  
External pilot

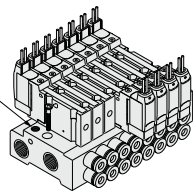
- How to Order Manifold (Example)

\* Indicate "-R" for an option.

SS0752-08C-R

↓  
External pilot

External pilot port  
(M3 x 0.5)



Note 1) The dual 3-port valve is not available.

Note 2) When the internal pilot type and external pilot type of valves are mixed up on the manifold, order the manifold suitable for the specification of the external pilot valve.

Note 3) Valves with the external pilot have a pilot EXH with individual exhaust specification and EXH can be pressurized. However, the pressure supplied from EXH should be 0.4 MPa or lower.

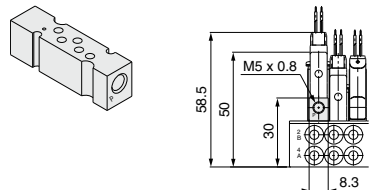
Base Mounted

## Individual SUP spacer

### SS0700-P-5-M5

↓  
Port size

M5 M5 thread



Mounted on the manifold block to make an independent supply port when each solenoid valve uses different operating pressure.

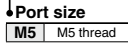
Weight: 7 g

- \* Compatible with 8.5 mm pitch manifold only.
- \* Cannot be mounted on the body ported manifold (SS0752).

# S0700 Series

**Base Mounted** Individual EXH spacer

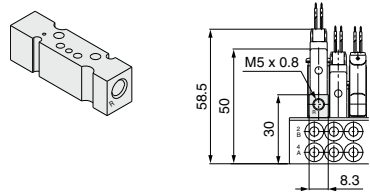
## SS0700-R-5-M5



Mounted on the manifold block to make an independent exhaust port when the exhaust from one valve affects valves on other stations in the air circuit.

Weight: 7 g

- \* Compatible with 8.5 mm pitch manifold only.
- \* Cannot be mounted on the body ported manifold (SS0752).

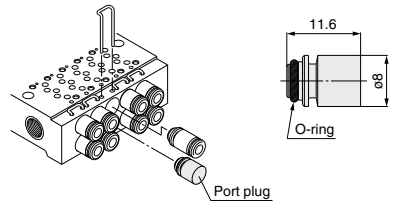


**Base Mounted** Port plug

## VVQ0000-CP

The plug is used to block the cylinder port when using a 5-port valve as a 3-port valve.

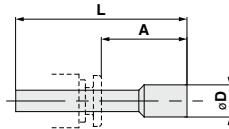
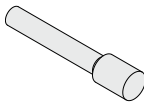
- \* When ordering a plug incorporated with a manifold, indicate "CM" for the port size in the manifold part number as well as the station number, mounting positions of cylinder port A/B, on the manifold specification sheet.



**Body Ported** **Base Mounted** Blanking plug (For One-touch fittings)

## KJP-02

### KQ2P-23 04



### Dimensions

Applicable fitting size $\phi d$	Model	A	L	D	Weight [g]
2	KJP-02	8.2	17	3	0.1
3.2	KQ2P-23	16	31.5	5	1
4	KQ2P-04	16	32	6	1

**Body Ported** **Base Mounted** Silencer (For manifold EXH port)

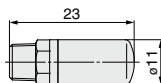
Silencer is installed in the EXH port.



### AN110-01 (BC sintered body)



### AN10-01 (Resin)



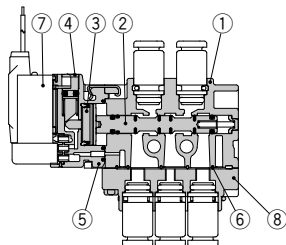


# S0700 Series Construction

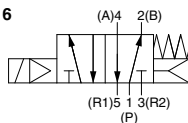
Body  
Ported

## Construction

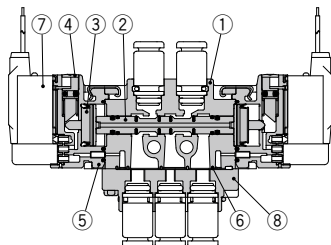
### 2-Position Single



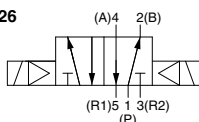
S0716



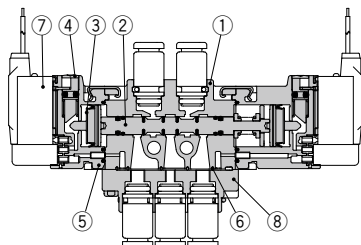
### 2-Position Double



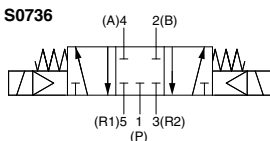
S0726



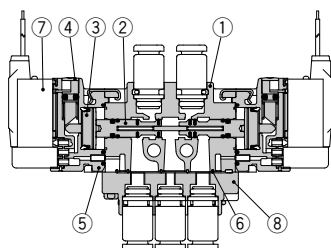
### 3-Position Closed Center



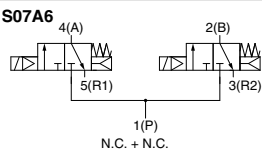
S0736



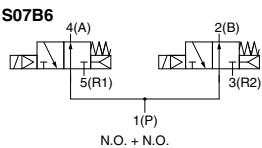
### 4-Position Dual 3-Port Valve



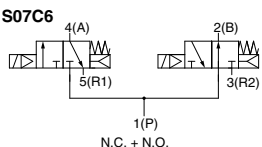
S07A6



S07B6



S07C6



### Component Parts

No.	Description	Material
1	Body	Zinc die-casted
2	Spool	Aluminum
3	Piston	Resin
4	Manual override	Resin
5	Adapter plate	Resin
6	Interface gasket	HNBR
7	Pilot valve assembly	Refer to page 760.
8	PR plate	Resin <sup>(Note)</sup>

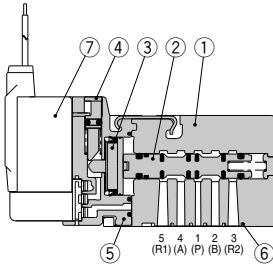
Note) The external pilot is made of aluminum.



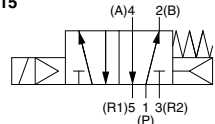
Base Mounted

Construction

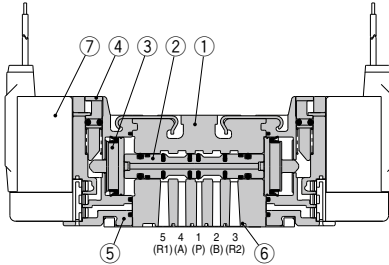
2-Position Single



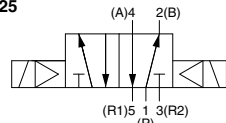
S0715



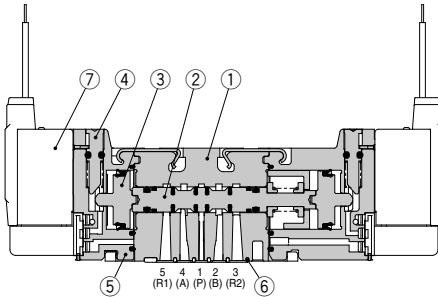
2-Position Double



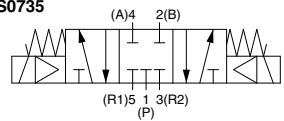
S0725



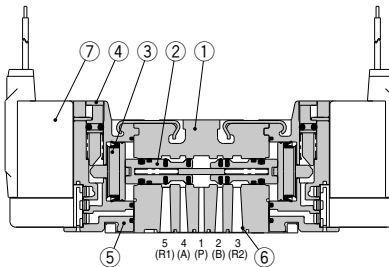
3-Position Closed Center



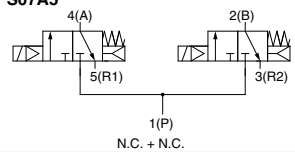
S0735



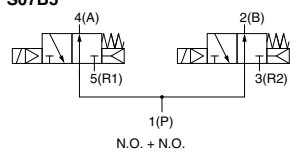
4-Position Dual 3-Port Valve



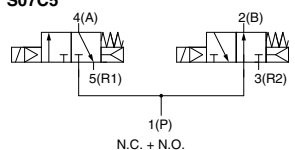
S07A5



S07B5



S07C5



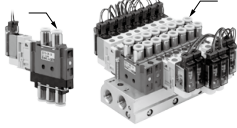
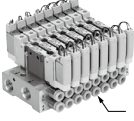
Component Parts

No.	Description	Material
1	Body	Zinc die-casted
2	Spool	Aluminum
3	Piston	Resin
4	Manual override	Resin
5	Adapter plate	Resin
6	Interface gasket	HNBR
7	Pilot valve assembly	Refer to page 760.

# S0700 Series Replacement Parts

Body Ported Base Mounted

## <One-touch Fitting Assembly (For Cylinder Port)>

Applicable manifold		Port size	Part no.	
	<b>Body Ported</b> S07□6 SS0752	ø2 One-touch fitting	KJH02-C1	
		ø4 One-touch fitting	KJH04-C1	
		ø1/8" One-touch fitting	KJH01-C1	
		ø5/32" One-touch fitting	KJH03-C1	
	<b>Base Mounted</b> SS0755	8.5 mm pitch	ø2 One-touch fitting	VVQ0000-50A-C2
			ø3.2 One-touch fitting	VVQ0000-50A-C3
			ø4 One-touch fitting	VVQ0000-50A-C4
			ø1/8" One-touch fitting	VVQ0000-50A-N1
		7.5 mm pitch	ø5/32" One-touch fitting	VVQ0000-50A-N3
			ø2 Barb fitting	SS070-50A-20
			ø3.2 Barb fitting	SS070-50A-32
			ø4 Barb fitting	SS070-50A-40

Note) Purchasing order is available in units of 10 pieces.

## <Plug Connector Assembly>

S070 - 14A - □

Body Ported Base Mounted

### Lead wire length

Symbol	Length
Nil	150 mm
3	300 mm
6	600 mm
10	1000 mm



Note) Standard wire length of valve with plug connector is 300 mm. When ordering a lead wire length of 600 mm or longer, list the part numbers for the valve without connector and the connector assembly.

## <Gasket, Screw Assembly>

Body Ported Base Mounted

Body ported	For internal pilot	S0700-GS-2
	For external pilot	S0700-GS-2R
Base mounted		S0700-GS-5

Note) Above part number consists of 10 units. Each unit has one gasket and two screws.

## <Sub-plate>

Base Mounted

Part no.	Type
S0700-S-M5	For internal pilot
S0700-S-M5-R	For external pilot

## <Pilot Valve Assembly>

S070P - 5 B G -1

Body Ported Base Mounted

### Voltage

Symbol	Type
5	24 VDC
6	12 VDC

### Accessory

Symbol	Specifications
Nil	None
-1	Stopper plate is included.

### Electrical entry

Symbol	Specifications
G	Grommet
C	Plug connector, with lead wire (With light/surge voltage suppressor)
CO	Plug connector, without lead wire (With light/surge voltage suppressor)

Note) For pilot valve assembly replacement, refer to "Specific Product Precautions" on page 764.

## <SI Unit (EX510 series)>

EX510 - S 0 01

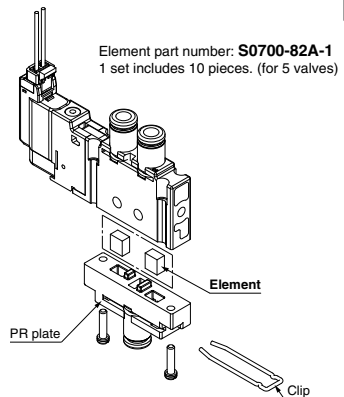
Base Mounted

### Output specifications

0	NPN output (Positive common)
1	PNP output (Negative common)

## <Silencer Element>

Body Ported





# S0700 Series

## Specific Product Precautions 1

Be sure to read this before handling the products. Refer to back page 50 for Safety Instructions and pages 3 to 9 for 3/4/5 Port Solenoid Valve Precautions.

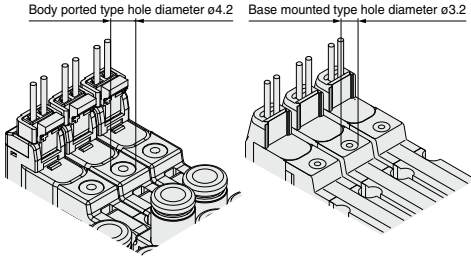
### Manual Override

#### Warning

The manual override is used for switching the main valve.

#### Push type (Tool required)

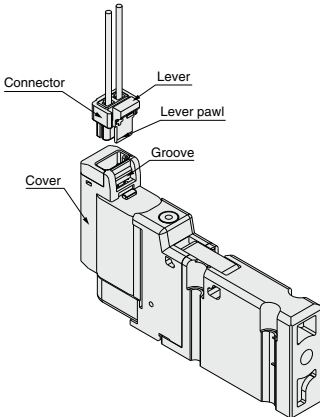
Push down on the manual override button with a tool such as a small screwdriver until it stops.



### How to Attach/Detach Plug Connector

To attach a connector, hold the lever and connector unit between your fingers and insert straight onto the pins of the solenoid valve so that the lever's pawl is pushed into the groove and locks.

To detach a connector, remove the pawl from the groove by pushing the lever downward with your thumb, and pull the connector straight out.



(Note) In order not to damage the connector and cover, do not pull the lead wire excessively (with a force of 10 N or more).

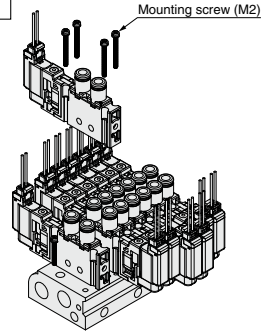
### How to Mount Valve

#### Caution

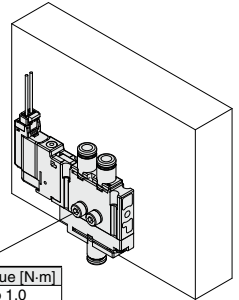
Tighten the bolts firmly to stop the gasket from coming away from the valve using the appropriate torque as shown on the following table.

Proper tightening torque [N·m]
0.17 to 0.23

#### Body Ported

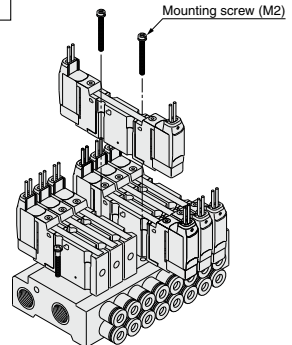


When mounting a single body ported valve on the wall directly, use the following tightening torque.



Proper tightening torque [N·m]
M3 thread 0.5 to 1.0

#### Base Mounted



SJ

SY

SY

S0700

S0700



# S0700 Series

## Specific Product Precautions 2

Be sure to read this before handling the products. Refer to back page 50 for Safety Instructions and pages 3 to 9 for 3/4/5 Port Solenoid Valve Precautions.

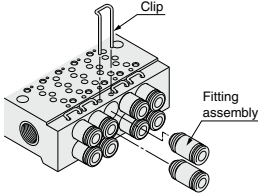
### How to Replace One-touch Fittings

#### Warning

The cylinder port fittings are a cassette for easy replacement.

#### Base Mounted

The fittings are blocked by a clip inserted from the top of the valve. Remove the clip with a tool such as a flat blade screwdriver to remove fittings. For replacement, insert the fitting assembly until it strikes against the inside wall and then re-insert the clip to the specified position.

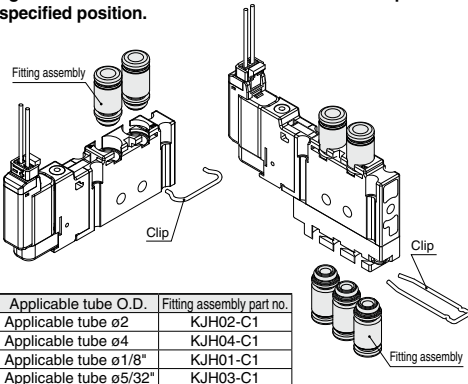


	Applicable tube O.D.	Fitting assembly part no.
8.5 mm pitch (One-touch fitting)	Applicable tube ø2	VVQ0000-50A-C2
	Applicable tube ø3.2	VVQ0000-50A-C3
	Applicable tube ø4	VVQ0000-50A-C4
	Applicable tube ø1/8"	VVQ0000-50A-N1
	Applicable tube ø5/32"	VVQ0000-50A-N3
7.5 mm pitch (Barb fitting)	Barb fitting ø2	SS070-50A-20
	Barb fitting ø3.2	SS070-50A-32
	Barb fitting ø4	SS070-50A-40

\* Part number is for one fitting assembly. Please order it in units of 10 pieces.

#### Body Ported

The fittings are blocked by a clip. After removing the corresponding valve and take out the clip with a tool such as watchmakers' flat blade screwdriver, then replace the fittings. For mounting, insert the fitting until it strikes against the inside wall and then insert the clip to the specified position.



Applicable tube O.D.	Fitting assembly part no.
Applicable tube ø2	KJH02-C1
Applicable tube ø4	KJH04-C1
Applicable tube ø1/8"	KJH01-C1
Applicable tube ø5/32"	KJH03-C1

\* Part number is for one fitting assembly. Please order it in units of 10 pieces.

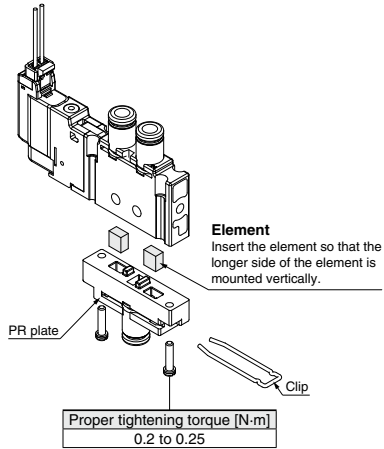
### How to Replace Silencers

A single body ported valve has a built-in silencer. A dirty and clogged silencer may reduce cylinder speed or cause a malfunction. Replace the silencer periodically.

To replace the silencer, remove the PR plate after removing the clip, and then remove the old element with a tool such as a flat blade screwdriver.

Element part number: S0700-82A-1

1 set includes 10 pieces. (for 5 valves)



Proper tightening torque [N·m]  
0.2 to 0.25

### Other Tube Brands

#### Caution

When using other than SMC brand tube, confirm that the following specifications are satisfied with respect to the tube outside diameter tolerance.

- 1) Nylon tube within ±0.1 mm
- 2) Soft nylon tube within ±0.1 mm
- 3) Polyurethane tube within +0.15 mm, within -0.2 mm

Do not use tube which do not meet these outside diameter tolerances. It may not be possible to connect them, or they may cause other trouble, such as air leakage or the tube pulling out after connection.



# S0700 Series

## Specific Product Precautions 3

Be sure to read this before handling the products. Refer to back page 50 for Safety Instructions and pages 3 to 9 for 3/4/5 Port Solenoid Valve Precautions.

### One-touch Fittings

#### Tube attachment/detachment for One-touch fittings

##### 1) Tube attachment

1. Take a tube having no flaws on its periphery and cut it off at a right angle. When cutting the tube, use tube cutters TK-1, 2 or 3. Do not use pinchers, nippers or scissors, etc. If cutting is done with tools other than tube cutters, the tube may be cut diagonally or become flattened, etc., making a secure installation impossible. Allow some extra length in the tube.
2. The outside diameter of the polyurethane tube swells when internal pressure is applied to it. Therefore, it may be possible that the tube cannot be re-inserted into the One-touch fitting. Check the tube outside diameter, and when the accuracy of the outside diameter is +0.07 mm or larger for  $\phi 2$ , +0.15 mm or larger for other sizes, insert into the One-touch fitting again, without cutting the tube to use it. When the tube is re-inserted into the One-touch fitting, confirm that the tube goes through the release button smoothly.
3. Grasp the tube, slowly push it straight (0 to 5°) into the One-touch fitting until it comes to a stop.
4. After inserting the tube, pull on it lightly to confirm that it will not come out. If it is not installed securely all the way into the fitting, this can cause problems such as air leakage or the tube pulling out.

##### 2) Tube detachment

1. Push in the release button sufficiently, pushing its collar equally around the circumference.
2. Pull out the tube while holding down the release button so that it does not come out. If the release button is not pressed down sufficiently, there will be increased bite on the tube and it will become more difficult to pull it out.
3. When the removed tube is to be used again, cut off the portion which has been chewed before reusing it. If the chewed portion of the tube is used as is, this can cause trouble such as air leakage or difficulty in removing the tube.

#### Do not apply unnecessary forces such as twisting, pulling, moment loads, vibration and impact, etc. on fittings or tubing.

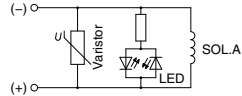
A force of 20 N or more applied to the fitting and/or tube can cause damage to the valve and/or fitting, crushing, bursting, or detachment of tubing, or air leakage.

### Internal Wiring Specifications

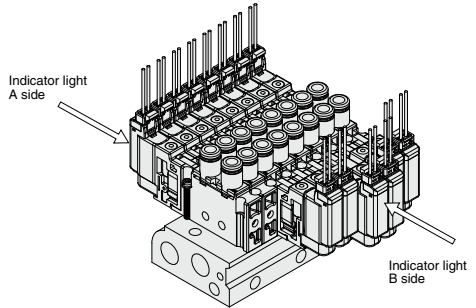
#### ⚠ Caution

Light/surge voltage suppressor

No polarity by adopting non-polar light.



Note) Coil surge voltage generated when OFF is about -60 V. Please contact SMC separately for further suppression of the coil surge voltage.



### Surge Voltage Intrusion

#### ⚠ Caution

The surge voltage created when the power supply is cut off could apply to the de-energized load equipment through the output circuit. In cases where the energized load equipment has a larger capacity (power consumption) and is connected to the same power supply as the product, the surge voltage could malfunction and/or damage the internal circuit element of the product and the internal device of the output equipment. To avoid this situation, place a diode which can suppress the surge voltage between the COM lines of the load equipment and output equipment.

SJ

SY

SY

S0700

S0700



## S0700 Series

# Specific Product Precautions 4

Be sure to read this before handling the products. Refer to back page 50 for Safety Instructions and pages 3 to 9 for 3/4/5 Port Solenoid Valve Precautions.

### How to Replace Pilot Valve

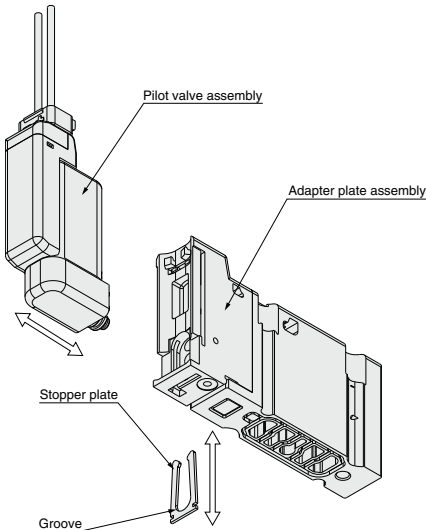
#### ⚠ Caution

##### Removal

- 1) Remove the stopper plate from the adapter plate assembly by using a flat blade screwdriver on the concave of the stopper plate.
- 2) Take off the pilot valve in horizontal direction.

##### Mounting

- 1) Mount the pilot valve on the adapter plate assembly.
- 2) Insert the stopper plate into the adapter plate so that the stopper plate will not protrude from the end of the adapter plate.

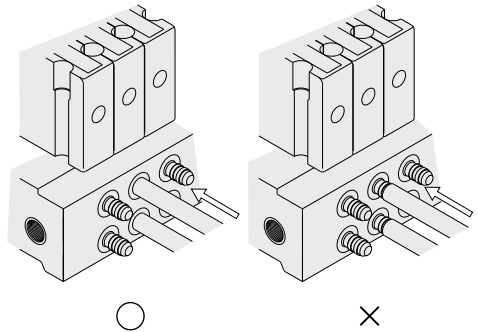


### How to Connect Tubing

#### ⚠ Caution

##### <Base mounted/Barb fittings>

- 1) Perpendicularly cut the tube to the necessary length by using an SMC tube cutter TK-1, 2, 3 or 6.
- 2) Firmly insert the tube into the barb fitting. Insufficient insertion of the tube could cause the air leakage and/or disconnection of the tube.
- 3) When inserting the tube into the barb fitting, move the tube in parallel to the axis of the barb fitting to avoid any excessive side load to the fitting.



- 4) Pay attention not to apply any excessive side load to the barb fitting when removing it from the tube. When using a tube cutter or something similar, be careful not to damage or crack the fitting.
- 5) Do not apply any excessive load such as tensile, compressive or bending force to the tube once connected.