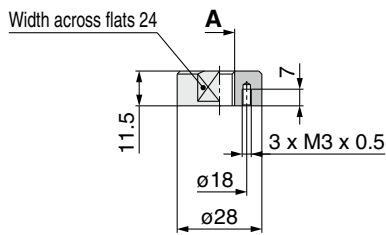


Mark-free Pad/High Rigidity *ZP2 Series* Mounting Bracket Assembly

Adapter Assembly

Adapter assembly part no.	Applicable pad part no.
ZPA-T1-B8	ZP2-40H(CL/NT/FT) ZP2-50H(CL/NT/FT) ZP2-3050HW
ZPA-T1-B10	

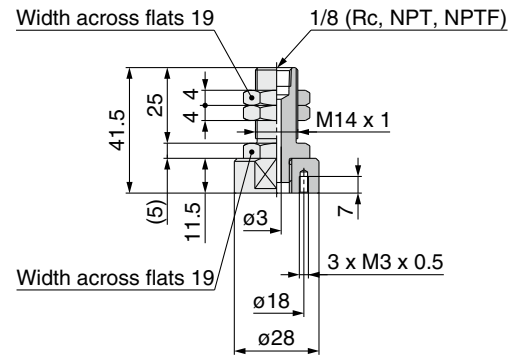


Dimensions

Part no.	A
ZPA-T1-B8	M8 x 1.25
ZPA-T1-B10	M10 x 1.5

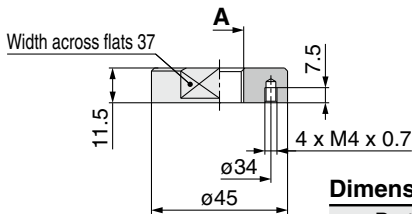
* With three M3 bolts

Adapter assembly part no.	Applicable pad part no.
ZPA-T1-B01	ZP2-40H(CL/NT/FT) ZP2-50H(CL/NT/FT) ZP2-3050HW
ZPA-T1-N01	
ZPA-T1-T01	



* With three M3 bolts

Adapter assembly part no.	Applicable pad part no.
ZPA-T2-B8	ZP2-63H(CL/NT/FT) ZP2-80H(CL/NT/FT)
ZPA-T2-B10	
ZPA-T2-B12	
ZPA-T2-B16	

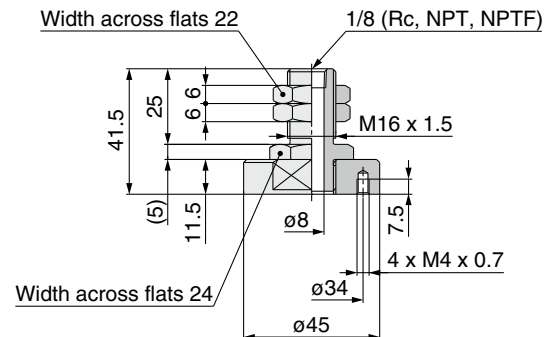


Dimensions

Part no.	A
ZPA-T2-B8	M8 x 1.25
ZPA-T2-B10	M10 x 1.5
ZPA-T2-B12	M12 x 1.75
ZPA-T2-B16	M16 x 1.5

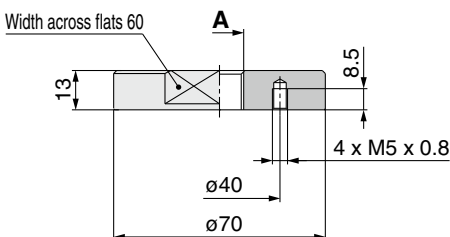
* With four M4 bolts

Adapter assembly part no.	Applicable pad part no.
ZPA-T2-B01	ZP2-63H(CL/NT/FT) ZP2-80H(CL/NT/FT)
ZPA-T2-N01	
ZPA-T2-T01	



* With four M4 bolts

Adapter assembly part no.	Applicable pad part no.
ZPA-T3-B12	ZP2-100H(CL/NT/FT) ZP2-125H(CL/NT/FT)
ZPA-T3-B16	

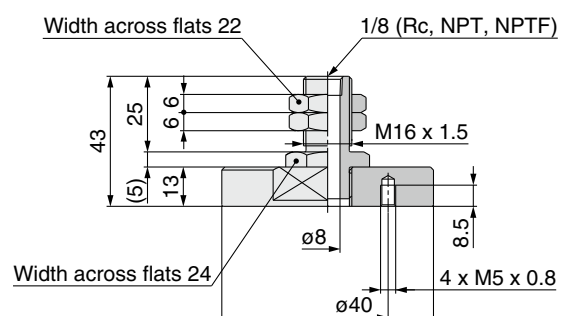


Dimensions

Part no.	A
ZPA-T3-B12	M12 x 1.75
ZPA-T3-B16	M16 x 1.5

* With four M5 bolts

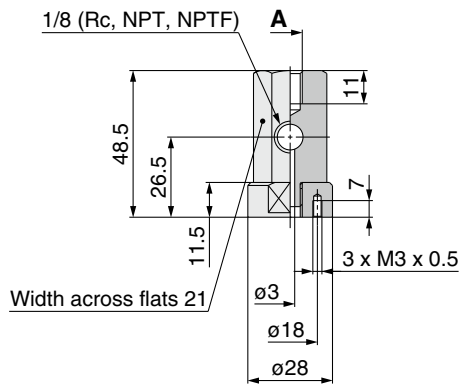
Adapter assembly part no.	Applicable pad part no.
ZPA-T3-B01	ZP2-100H(CL/NT/FT) ZP2-125H(CL/NT/FT)
ZPA-T3-N01	
ZPA-T3-T01	



* With four M5 bolts

Adapter Assembly

Adapter assembly part no.	Applicable pad part no.
ZPA-X1-B01-B8	ZP2-40H(CL/NT/FT) ZP2-50H(CL/NT/FT) ZP2-3050HW
ZPA-X1-N01-B8	
ZPA-X1-T01-B8	
ZPA-X1-B01-B10	
ZPA-X1-N01-B10	
ZPA-X1-T01-B10	

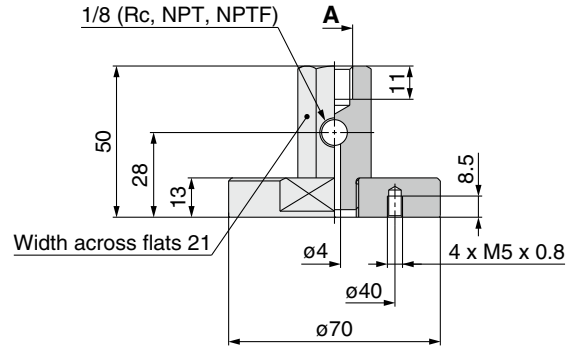


Dimensions

Part no.	A
ZPA-X1-□01-B8	M8 x 1.25
ZPA-X1-□01-B10	M10 x 1.5

* With three M3 bolts

Adapter assembly part no.	Applicable pad part no.
ZPA-X3-B01-B10	ZP2-100H(CL/NT/FT) ZP2-125H(CL/NT/FT)
ZPA-X3-N01-B10	
ZPA-X3-T01-B10	
ZPA-X3-B01-B12	
ZPA-X3-N01-B12	
ZPA-X3-T01-B12	

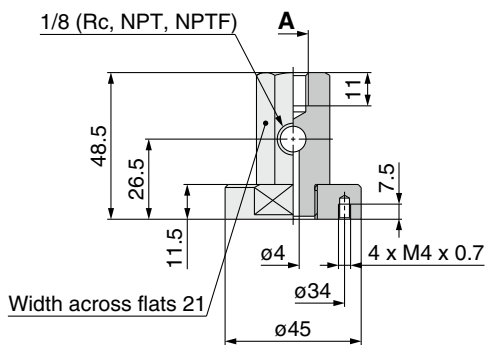


Dimensions

Part no.	A
ZPA-X3-□01-B10	M10 x 1.5
ZPA-X3-□01-B12	M12 x 1.75

* With four M5 bolts

Adapter assembly part no.	Applicable pad part no.
ZPA-X2-B01-B10	ZP2-63H(CL/NT/FT) ZP2-80H(CL/NT/FT)
ZPA-X2-N01-B10	
ZPA-X2-T01-B10	
ZPA-X2-B01-B12	
ZPA-X2-N01-B12	
ZPA-X2-T01-B12	



Dimensions

Part no.	A
ZPA-X2-□01-B10	M10 x 1.5
ZPA-X2-□01-B12	M12 x 1.75

* With four M4 bolts

Model Selection

For Special Applications

Mark-free

For Film Adsorption

Multistage

Flat

Nozzle

Sponge

For Disk Adsorption

For Panel Holding

Ball Spine Buffer

Construction

Mounting Bracket Assembly

Precautions

■ Buffer Assembly

* Refer to page 343 for nut tightening torque.

Buffer assembly part no. Buffer body (Material: Aluminum alloy)		Applicable pad part no. ZP2-40H(CL/NT/FT) ZP2-50H(CL/NT/FT) ZP2-3050HW												
ZPB-T1J25-B01 ZPB-T1J25-N01 ZPB-T1J25-T01 ZPB-T1J50-B01 ZPB-T1J50-N01 ZPB-T1J50-T01 ZPB-T1J75-B01 ZPB-T1J75-N01 ZPB-T1J75-T01														
		Dimensions <table border="1" style="width: 100%; border-collapse: collapse;"> <thead> <tr> <th>Part no.</th> <th>A</th> <th>B</th> </tr> </thead> <tbody> <tr> <td>ZPB-T1J25-□01</td> <td>40</td> <td>107</td> </tr> <tr> <td>ZPB-T1J50-□01</td> <td>75</td> <td>142</td> </tr> <tr> <td>ZPB-T1J75-□01</td> <td>111</td> <td>178</td> </tr> </tbody> </table> <p>* With three M3 bolts</p>	Part no.	A	B	ZPB-T1J25-□01	40	107	ZPB-T1J50-□01	75	142	ZPB-T1J75-□01	111	178
Part no.	A	B												
ZPB-T1J25-□01	40	107												
ZPB-T1J50-□01	75	142												
ZPB-T1J75-□01	111	178												

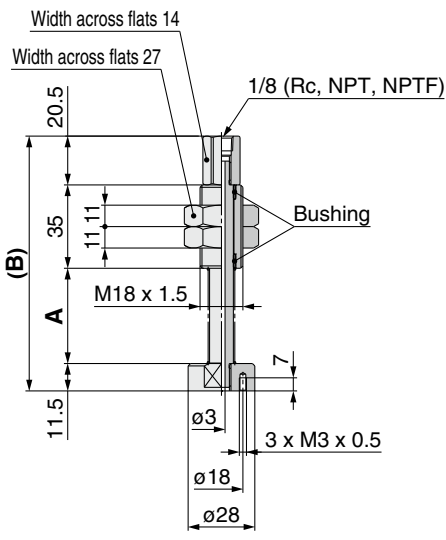
Buffer assembly part no. Buffer body (Material: Aluminum alloy)		Applicable pad part no. ZP2-63H(CL/NT/FT) ZP2-80H(CL/NT/FT)												
ZPB-T2J25-B01 ZPB-T2J25-N01 ZPB-T2J25-T01 ZPB-T2J50-B01 ZPB-T2J50-N01 ZPB-T2J50-T01 ZPB-T2J75-B01 ZPB-T2J75-N01 ZPB-T2J75-T01														
		Dimensions <table border="1" style="width: 100%; border-collapse: collapse;"> <thead> <tr> <th>Part no.</th> <th>A</th> <th>B</th> </tr> </thead> <tbody> <tr> <td>ZPB-T2J25-□01</td> <td>40</td> <td>107</td> </tr> <tr> <td>ZPB-T2J50-□01</td> <td>75</td> <td>142</td> </tr> <tr> <td>ZPB-T2J75-□01</td> <td>111</td> <td>178</td> </tr> </tbody> </table> <p>* With four M4 bolts</p>	Part no.	A	B	ZPB-T2J25-□01	40	107	ZPB-T2J50-□01	75	142	ZPB-T2J75-□01	111	178
Part no.	A	B												
ZPB-T2J25-□01	40	107												
ZPB-T2J50-□01	75	142												
ZPB-T2J75-□01	111	178												

Buffer assembly part no. Buffer body (Material: Aluminum alloy)		Applicable pad part no. ZP2-100H(CL/NT/FT) ZP2-125H(CL/NT/FT)															
ZPB-T3J25-B01 ZPB-T3J25-N01 ZPB-T3J25-T01 ZPB-T3J50-B01 ZPB-T3J50-N01 ZPB-T3J50-T01 ZPB-T3J75-B01 ZPB-T3J75-N01 ZPB-T3J75-T01 ZPB-T3J100-B01 ZPB-T3J100-N01 ZPB-T3J100-T01																	
		Dimensions <table border="1" style="width: 100%; border-collapse: collapse;"> <thead> <tr> <th>Part no.</th> <th>A</th> <th>B</th> </tr> </thead> <tbody> <tr> <td>ZPB-T3J25-□01</td> <td>44</td> <td>131</td> </tr> <tr> <td>ZPB-T3J50-□01</td> <td>80</td> <td>167</td> </tr> <tr> <td>ZPB-T3J75-□01</td> <td>120</td> <td>207</td> </tr> <tr> <td>ZPB-T3J100-□01</td> <td>155</td> <td>242</td> </tr> </tbody> </table> <p>* With four M5 bolts</p>	Part no.	A	B	ZPB-T3J25-□01	44	131	ZPB-T3J50-□01	80	167	ZPB-T3J75-□01	120	207	ZPB-T3J100-□01	155	242
Part no.	A	B															
ZPB-T3J25-□01	44	131															
ZPB-T3J50-□01	80	167															
ZPB-T3J75-□01	120	207															
ZPB-T3J100-□01	155	242															

Buffer Assembly

* Refer to page 343 for nut tightening torque.

Buffer assembly part no.	
Buffer body (Material: Brass)	Buffer body (Material: Structural steel)
ZPB-T1JB25-B01	ZPB-T1JF25-B01
ZPB-T1JB25-N01	ZPB-T1JF25-N01
ZPB-T1JB25-T01	ZPB-T1JF25-T01
ZPB-T1JB50-B01	ZPB-T1JF50-B01
ZPB-T1JB50-N01	ZPB-T1JF50-N01
ZPB-T1JB50-T01	ZPB-T1JF50-T01
ZPB-T1JB75-B01	ZPB-T1JF75-B01
ZPB-T1JB75-N01	ZPB-T1JF75-N01
ZPB-T1JB75-T01	ZPB-T1JF75-T01

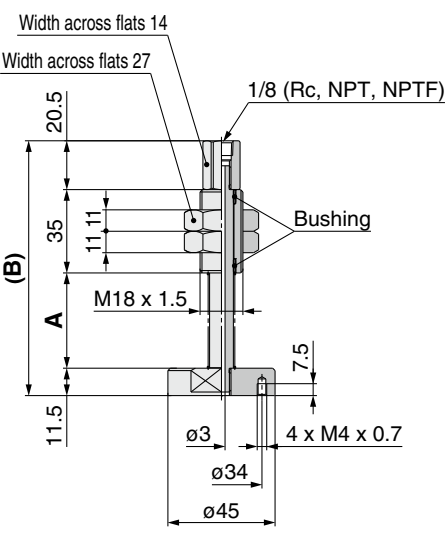


Applicable pad part no.
ZP2-40H(CL/NT/FT)
ZP2-50H(CL/NT/FT)
ZP2-3050HW

Dimensions		
Part no.	A	B
ZPB-T1(JB/JF)25-□01	40	107
ZPB-T1(JB/JF)50-□01	75	142
ZPB-T1(JB/JF)75-□01	111	178

* With three M3 bolts

Buffer assembly part no.	
Buffer body (Material: Brass)	Buffer body (Material: Structural steel)
ZPB-T2JB25-B01	ZPB-T2JF25-B01
ZPB-T2JB25-N01	ZPB-T2JF25-N01
ZPB-T2JB25-T01	ZPB-T2JF25-T01
ZPB-T2JB50-B01	ZPB-T2JF50-B01
ZPB-T2JB50-N01	ZPB-T2JF50-N01
ZPB-T2JB50-T01	ZPB-T2JF50-T01
ZPB-T2JB75-B01	ZPB-T2JF75-B01
ZPB-T2JB75-N01	ZPB-T2JF75-N01
ZPB-T2JB75-T01	ZPB-T2JF75-T01

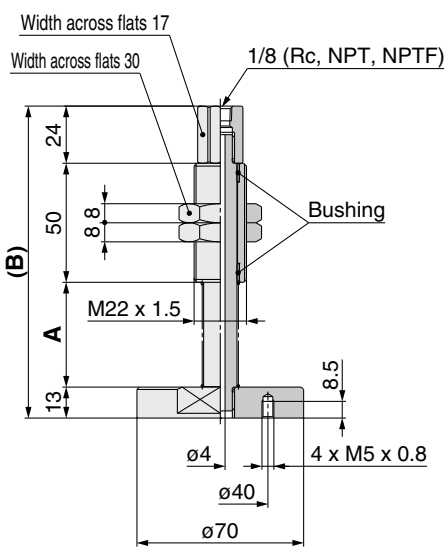


Applicable pad part no.
ZP2-63H(CL/NT/FT)
ZP2-80H(CL/NT/FT)

Dimensions		
Part no.	A	B
ZPB-T2(JB/JF)25-□01	40	107
ZPB-T2(JB/JF)50-□01	75	142
ZPB-T2(JB/JF)75-□01	111	178

* With four M4 bolts

Buffer assembly part no.	
Buffer body (Material: Brass)	Buffer body (Material: Structural steel)
ZPB-T3JB25-B01	ZPB-T3JF25-B01
ZPB-T3JB25-N01	ZPB-T3JF25-N01
ZPB-T3JB25-T01	ZPB-T3JF25-T01
ZPB-T3JB50-B01	ZPB-T3JF50-B01
ZPB-T3JB50-N01	ZPB-T3JF50-N01
ZPB-T3JB50-T01	ZPB-T3JF50-T01
ZPB-T3JB75-B01	ZPB-T3JF75-B01
ZPB-T3JB75-N01	ZPB-T3JF75-N01
ZPB-T3JB75-T01	ZPB-T3JF75-T01
ZPB-T3JB100-B01	ZPB-T3JF100-B01
ZPB-T3JB100-N01	ZPB-T3JF100-N01
ZPB-T3JB100-T01	ZPB-T3JF100-T01



Applicable pad part no.
ZP2-100H(CL/NT/FT)
ZP2-125H(CL/NT/FT)

Dimensions		
Part no.	A	B
ZPB-T3(JB/JF)25-□01	44	131
ZPB-T3(JB/JF)50-□01	80	167
ZPB-T3(JB/JF)75-□01	120	207
ZPB-T3(JB/JF)100-□01	155	242

* With four M5 bolts

■ Buffer Assembly

* Refer to page 343 for nut tightening torque.

Buffer assembly part no. Buffer body (Material: Aluminum alloy)	<p style="text-align: center;">Width across flats 14 Width across flats 27 M18 x 1.5 Width across flats 21 3 x M3 x 0.5 1/8 (Rc, NPT, NPTF)</p>	Applicable pad part no. ZP2-40H(CL/NT/FT) ZP2-50H(CL/NT/FT) ZP2-3050HW												
ZPB-X1J25-B01 ZPB-X1J25-N01 ZPB-X1J25-T01 ZPB-X1J50-B01 ZPB-X1J50-N01 ZPB-X1J50-T01 ZPB-X1J75-B01 ZPB-X1J75-N01 ZPB-X1J75-T01														
		Dimensions <table border="1" style="width: 100%; border-collapse: collapse; margin-top: 5px;"> <thead> <tr> <th style="text-align: center;">Part no.</th> <th style="text-align: center;">A</th> <th style="text-align: center;">B</th> </tr> </thead> <tbody> <tr> <td style="text-align: center;">ZPB-X1J25-□01</td> <td style="text-align: center;">40</td> <td style="text-align: center;">139.5</td> </tr> <tr> <td style="text-align: center;">ZPB-X1J50-□01</td> <td style="text-align: center;">75</td> <td style="text-align: center;">174.5</td> </tr> <tr> <td style="text-align: center;">ZPB-X1J75-□01</td> <td style="text-align: center;">111</td> <td style="text-align: center;">210.5</td> </tr> </tbody> </table> <p style="font-size: small; margin-top: 5px;">* With three M3 bolts</p>	Part no.	A	B	ZPB-X1J25-□01	40	139.5	ZPB-X1J50-□01	75	174.5	ZPB-X1J75-□01	111	210.5
Part no.	A	B												
ZPB-X1J25-□01	40	139.5												
ZPB-X1J50-□01	75	174.5												
ZPB-X1J75-□01	111	210.5												

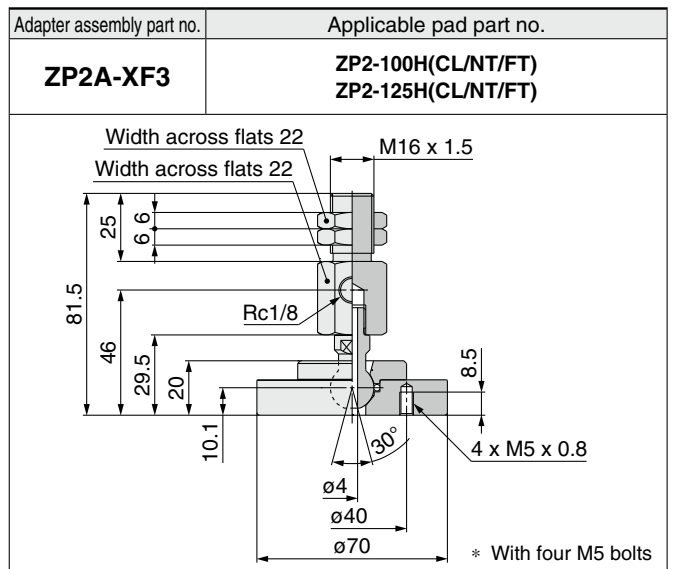
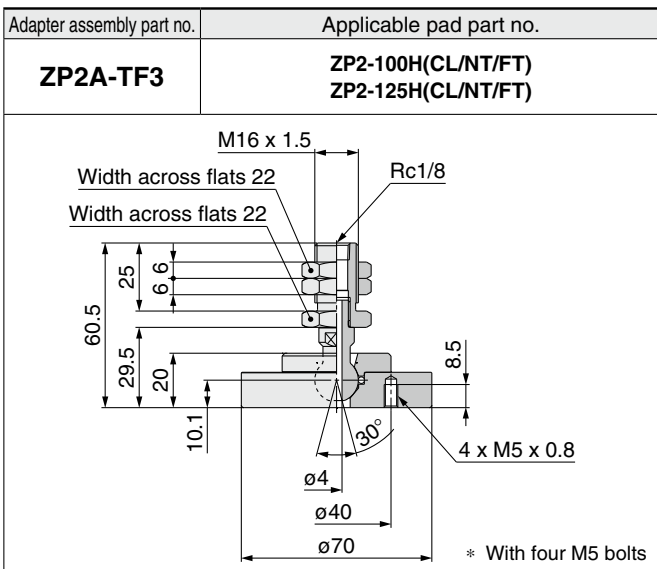
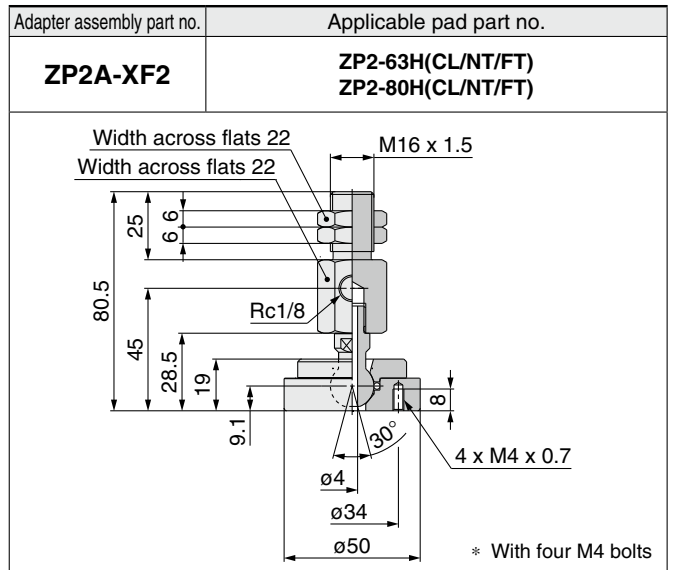
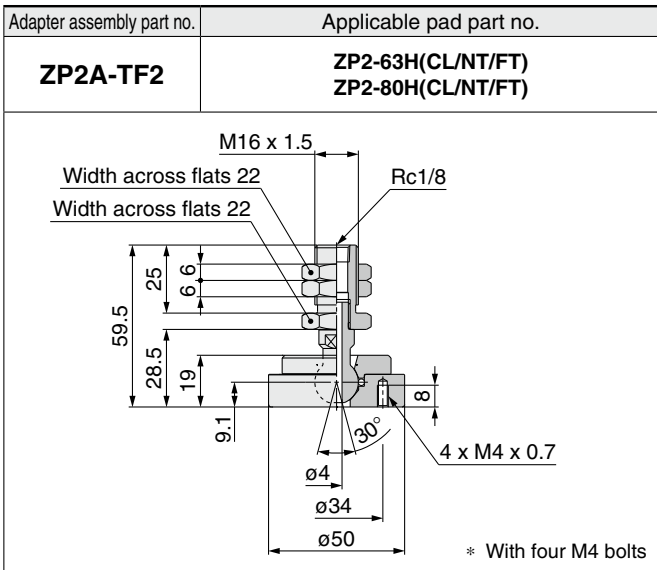
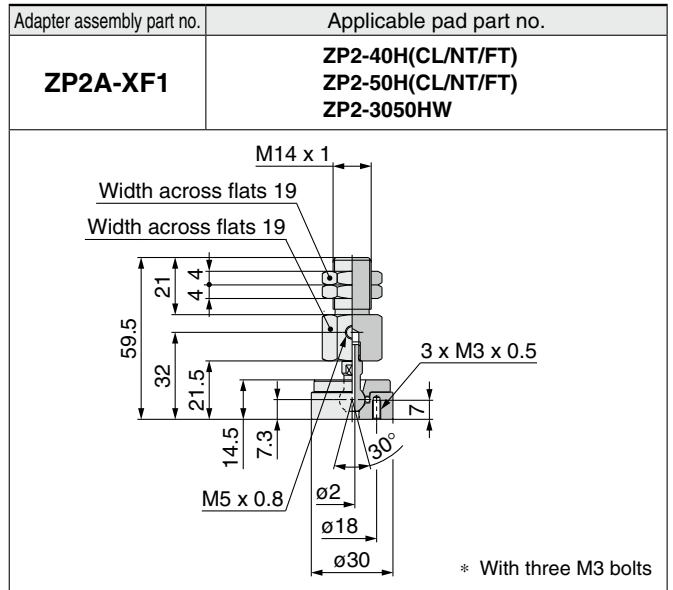
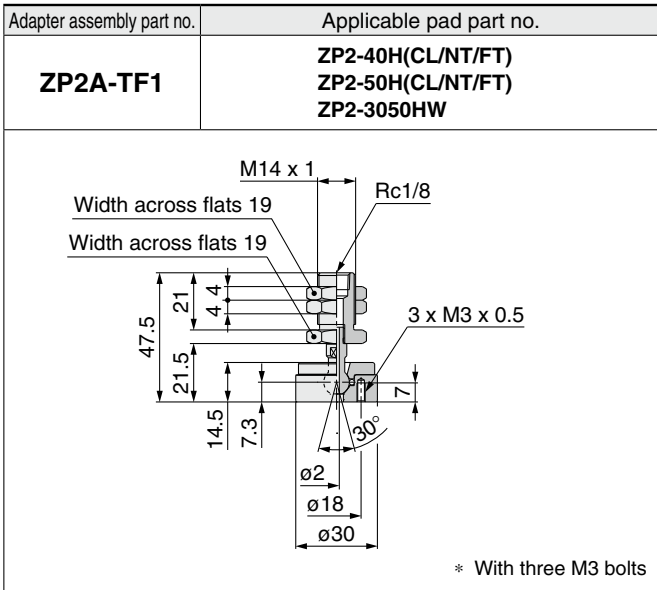
Buffer assembly part no. Buffer body (Material: Aluminum alloy)	<p style="text-align: center;">Width across flats 14 Width across flats 27 M18 x 1.5 Width across flats 21 4 x M4 x 0.7 1/8 (Rc, NPT, NPTF)</p>	Applicable pad part no. ZP2-63H(CL/NT/FT) ZP2-80H(CL/NT/FT)												
ZPB-X2J25-B01 ZPB-X2J25-N01 ZPB-X2J25-T01 ZPB-X2J50-B01 ZPB-X2J50-N01 ZPB-X2J50-T01 ZPB-X2J75-B01 ZPB-X2J75-N01 ZPB-X2J75-T01														
		Dimensions <table border="1" style="width: 100%; border-collapse: collapse; margin-top: 5px;"> <thead> <tr> <th style="text-align: center;">Part no.</th> <th style="text-align: center;">A</th> <th style="text-align: center;">B</th> </tr> </thead> <tbody> <tr> <td style="text-align: center;">ZPB-X2J25-□01</td> <td style="text-align: center;">40</td> <td style="text-align: center;">139.5</td> </tr> <tr> <td style="text-align: center;">ZPB-X2J50-□01</td> <td style="text-align: center;">75</td> <td style="text-align: center;">174.5</td> </tr> <tr> <td style="text-align: center;">ZPB-X2J75-□01</td> <td style="text-align: center;">111</td> <td style="text-align: center;">210.5</td> </tr> </tbody> </table> <p style="font-size: small; margin-top: 5px;">* With four M4 bolts</p>	Part no.	A	B	ZPB-X2J25-□01	40	139.5	ZPB-X2J50-□01	75	174.5	ZPB-X2J75-□01	111	210.5
Part no.	A	B												
ZPB-X2J25-□01	40	139.5												
ZPB-X2J50-□01	75	174.5												
ZPB-X2J75-□01	111	210.5												

Buffer assembly part no. Buffer body (Material: Aluminum alloy)	<p style="text-align: center;">Width across flats 17 Width across flats 30 M22 x 1.5 Width across flats 21 4 x M5 x 0.8 1/8 (Rc, NPT, NPTF)</p>	Applicable pad part no. ZP2-100H(CL/NT/FT) ZP2-125H(CL/NT/FT)															
ZPB-X3J25-B01 ZPB-X3J25-N01 ZPB-X3J25-T01 ZPB-X3J50-B01 ZPB-X3J50-N01 ZPB-X3J50-T01 ZPB-X3J75-B01 ZPB-X3J75-N01 ZPB-X3J75-T01 ZPB-X3J100-B01 ZPB-X3J100-N01 ZPB-X3J100-T01																	
		Dimensions <table border="1" style="width: 100%; border-collapse: collapse; margin-top: 5px;"> <thead> <tr> <th style="text-align: center;">Part no.</th> <th style="text-align: center;">A</th> <th style="text-align: center;">B</th> </tr> </thead> <tbody> <tr> <td style="text-align: center;">ZPB-X3J25-□01</td> <td style="text-align: center;">44</td> <td style="text-align: center;">165</td> </tr> <tr> <td style="text-align: center;">ZPB-X3J50-□01</td> <td style="text-align: center;">80</td> <td style="text-align: center;">201</td> </tr> <tr> <td style="text-align: center;">ZPB-X3J75-□01</td> <td style="text-align: center;">120</td> <td style="text-align: center;">241</td> </tr> <tr> <td style="text-align: center;">ZPB-X3J100-□01</td> <td style="text-align: center;">155</td> <td style="text-align: center;">276</td> </tr> </tbody> </table> <p style="font-size: small; margin-top: 5px;">* With four M5 bolts</p>	Part no.	A	B	ZPB-X3J25-□01	44	165	ZPB-X3J50-□01	80	201	ZPB-X3J75-□01	120	241	ZPB-X3J100-□01	155	276
Part no.	A	B															
ZPB-X3J25-□01	44	165															
ZPB-X3J50-□01	80	201															
ZPB-X3J75-□01	120	241															
ZPB-X3J100-□01	155	276															

Mark-free Pad/High Rigidity *ZP2 Series* Mounting Bracket Assembly

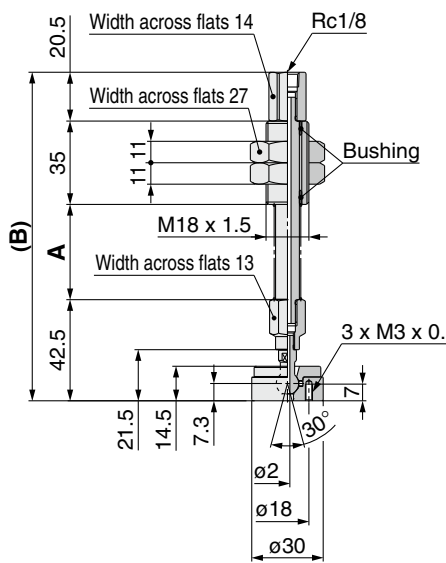
Ball Joint Type

Adapter Assembly



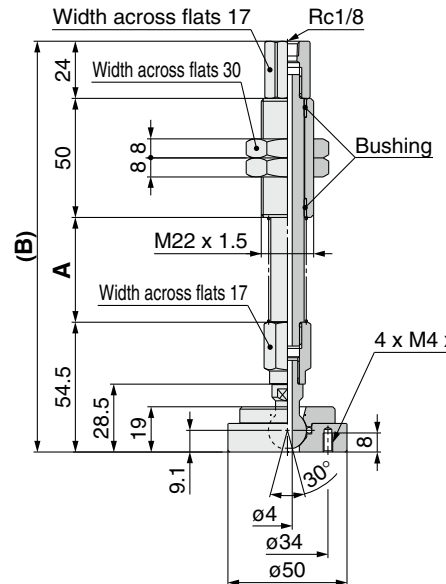
Buffer Assembly

* Refer to page 343 for nut tightening torque.

Buffer assembly part no.			Applicable pad part no.		
Buffer body (Material: Brass)	Buffer body (Material: Structural steel)		ZP2-40H(CL/NT/FT)		
ZP2B-TF1JB25	ZP2B-TF1JF25		ZP2-50H(CL/NT/FT)		
ZP2B-TF1JB50	ZP2B-TF1JF50		ZP2-3050HW		
ZP2B-TF1JB75	ZP2B-TF1JF75				

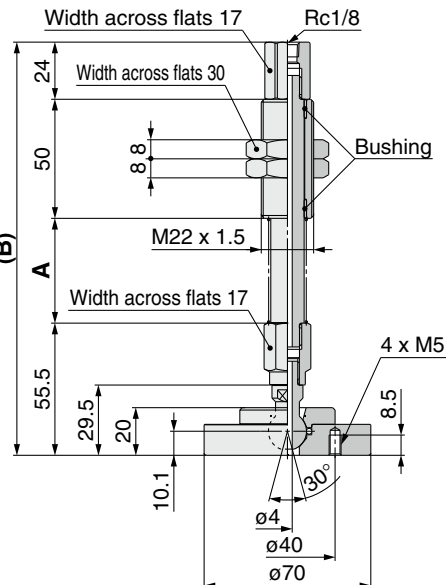
Dimensions		
Part no.	A	B
ZP2B-TF1(JB/JF)25	40	138
ZP2B-TF1(JB/JF)50	75	173
ZP2B-TF1(JB/JF)75	111	209

* With three M3 bolts

Buffer assembly part no.			Applicable pad part no.		
Buffer body (Material: Brass)	Buffer body (Material: Structural steel)		ZP2-63H(CL/NT/FT)		
ZP2B-TF2JB25	ZP2B-TF2JF25		ZP2-80H(CL/NT/FT)		
ZP2B-TF2JB50	ZP2B-TF2JF50				
ZP2B-TF2JB75	ZP2B-TF2JF75				
ZP2B-TF2JB100	ZP2B-TF2JF100				

Dimensions		
Part no.	A	B
ZP2B-TF2(JB/JF)25	44	172.5
ZP2B-TF2(JB/JF)50	80	208.5
ZP2B-TF2(JB/JF)75	120	248.5
ZP2B-TF2(JB/JF)100	155	283.5

* With four M4 bolts

Buffer assembly part no.			Applicable pad part no.		
Buffer body (Material: Brass)	Buffer body (Material: Structural steel)		ZP2-100H(CL/NT/FT)		
ZP2B-TF3JB25	ZP2B-TF3JF25		ZP2-125H(CL/NT/FT)		
ZP2B-TF3JB50	ZP2B-TF3JF50				
ZP2B-TF3JB75	ZP2B-TF3JF75				
ZP2B-TF3JB100	ZP2B-TF3JF100				

Dimensions		
Part no.	A	B
ZP2B-TF3(JB/JF)25	44	173.5
ZP2B-TF3(JB/JF)50	80	209.5
ZP2B-TF3(JB/JF)75	120	249.5
ZP2B-TF3(JB/JF)100	155	284.5

* With four M5 bolts

Model Selection
 For Special Applications
 Mark-free
 For Film Adsorption
 Multistage
 Flat
 Nozzle
 Sponge
 For Disk Adsorption
 For Panel Holding
 Ball Spine Buffer
 Construction
 Mounting Bracket Assembly
 Precautions

Buffer Assembly

* Refer to page 343 for nut tightening torque.

Buffer assembly part no.		Applicable pad part no.
Buffer body (Material: Brass)	Buffer body (Material: Structural steel)	
ZP2B-XF1JB25	ZP2B-XF1JF25	ZP2-40H(CL/NT/FT) ZP2-50H(CL/NT/FT) ZP2-3050HW
ZP2B-XF1JB50	ZP2B-XF1JF50	
ZP2B-XF1JB75	ZP2B-XF1JF75	

Dimensions

Part no.	A	B
ZP2B-XF1(JB/JF)25	40	141.5
ZP2B-XF1(JB/JF)50	75	176.5
ZP2B-XF1(JB/JF)75	111	212.5

* With three M3 bolts

Buffer assembly part no.		Applicable pad part no.
Buffer body (Material: Brass)	Buffer body (Material: Structural steel)	
ZP2B-XF2JB25	ZP2B-XF2JF25	ZP2-63H(CL/NT/FT) ZP2-80H(CL/NT/FT)
ZP2B-XF2JB50	ZP2B-XF2JF50	
ZP2B-XF2JB75	ZP2B-XF2JF75	
ZP2B-XF2JB100	ZP2B-XF2JF100	

Dimensions

Part no.	A	B
ZP2B-XF2(JB/JF)25	44	182.5
ZP2B-XF2(JB/JF)50	80	218.5
ZP2B-XF2(JB/JF)75	120	258.5
ZP2B-XF2(JB/JF)100	155	293.5

* With four M4 bolts

Buffer assembly part no.		Applicable pad part no.
Buffer body (Material: Brass)	Buffer body (Material: Structural steel)	
ZP2B-XF3JB25	ZP2B-XF3JF25	ZP2-100H(CL/NT/FT) ZP2-125H(CL/NT/FT)
ZP2B-XF3JB50	ZP2B-XF3JF50	
ZP2B-XF3JB75	ZP2B-XF3JF75	
ZP2B-XF3JB100	ZP2B-XF3JF100	

Dimensions

Part no.	A	B
ZP2B-XF3(JB/JF)25	44	183.5
ZP2B-XF3(JB/JF)50	80	219.5
ZP2B-XF3(JB/JF)75	120	259.5
ZP2B-XF3(JB/JF)100	155	294.5

* With four M5 bolts