

# Vacuum Pad for Disk Adsorption

## For adsorbing and transferring disks of digital household electric appliances (CD, DVD)

- For adsorbing circular components like CDs and DVDs
- The bellows mechanism in the pad helps to dampen the impact to workpieces.

## How to Order

ZP2 - Z1 - 001 - S



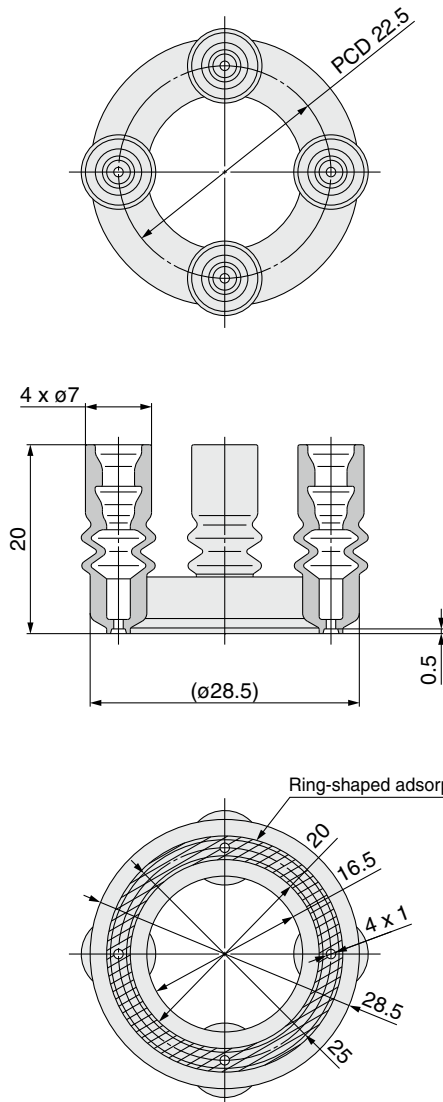
### Pad material

Symbol	Material
S	Silicone rubber*1
GS	Conductive silicone rubber

\*1 Compliant with the FDA (USA Food and Drug Administration) regulation 21CFR§177.2600 for "Rubber articles intended for repeated use"

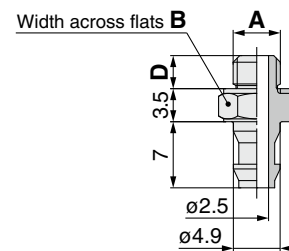
## Dimensions

ZP2-Z1-001-□□



ZPT1-A5/A6 is a recommended adapter.  
(Four adapters are necessary.)

### Adapter assembly unit



Part no. (With gasket): ZPT1-A5/A6

### Dimensions

Model	A	B	D	Gasket part no. (Single unit)	
ZPT1-A5	M5 x 0.8	7	3.5	10 pcs.*1	ZP-5G2
				100 pcs.*1	M-5G2
ZPT1-A6	M6 x 1	8	4.5	10 pcs.*1	ZP-6G2
				100 pcs.*1	M-6G

\*1 The gasket (single unit) sales unit is shown.

### Example of attachment

