

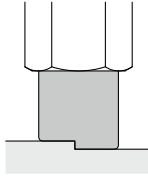
# Sponge Pad

Symbol/Form

S: Sponge

Pad diameter  $\varnothing 4, \varnothing 6, \varnothing 8, \varnothing 10, \varnothing 15$

■ For the adsorption of workpieces with bumps



Mounting Bracket Part Nos.

Adapter Assembly p. 293

## How to Order

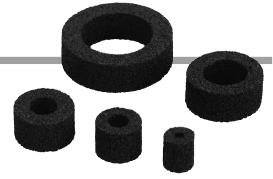
Pad unit **ZP2-06S GS**

\* Pad unit's sales unit: 10 pcs.

Pad O.D.	
Symbol	Pad diameter
04	$\varnothing 4$
06	$\varnothing 6$
08	$\varnothing 8$
10	$\varnothing 10$
15	$\varnothing 15$

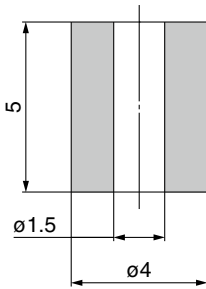
Pad material	
Symbol	Material
GS	Conductive silicone rubber
GC	Conductive CR

Pad form	
Symbol	Form
S	Sponge

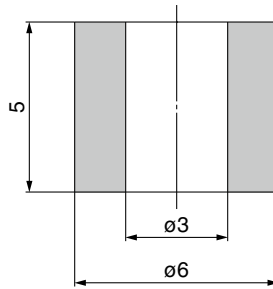


## Dimensions: Pad Unit

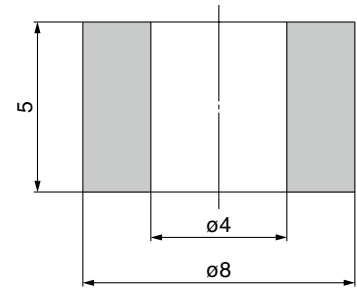
ZP2-04S□



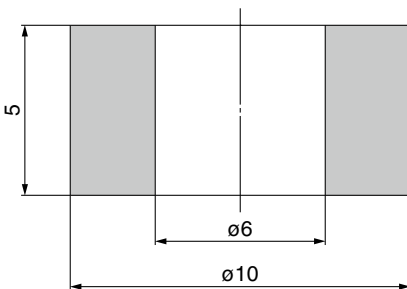
ZP2-06S□



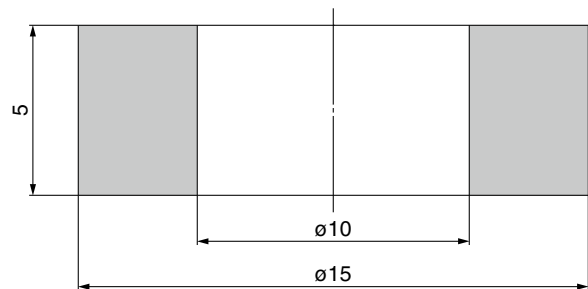
ZP2-08S□



ZP2-10S□



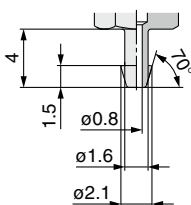
ZP2-15S□



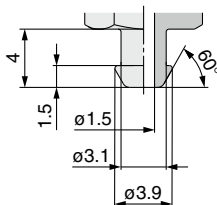
## Adapter Mounting Dimensions

If an adapter will be made by the customer, design the adapter with the dimensions shown below.

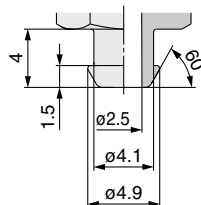
Applicable pad 04S



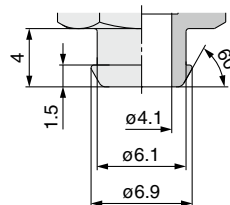
Applicable pad 06S



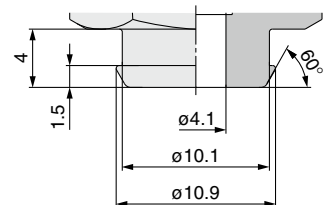
Applicable pad 08S



Applicable pad 10S



Applicable pad 15S



Model Selection

For Special Applications

Mark-free

For Film Adsorption

Multistage

Flat

Nozzle

Sponge

For Disk Adsorption

For Panel Holding

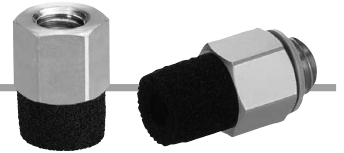
Ball Spine Buffer

Construction

Mounting Bracket Assembly

Precautions

## How to Order



With adapter **ZP2 - T 04 S GS - A3**

Vacuum inlet direction

Symbol	Direction
T	Vertical

Pad O.D.

Symbol	Pad diameter
04	ø4
06	ø6
08	ø8
10	ø10
15	ø15

Pad form

Symbol	Form
S	Sponge

Connection thread

Symbol	Thread size	Applicable pad O.D. symbol				
		04	06	08	10	15
A3	M3 x 0.5 (Male thread)	●	—	—	—	—
A5	M5 x 0.8 (Male thread)	—	●	●	●	●
B3	M3 x 0.5 (Female thread)	●	—	—	—	—
B5	M5 x 0.8 (Female thread)	—	●	●	●	●

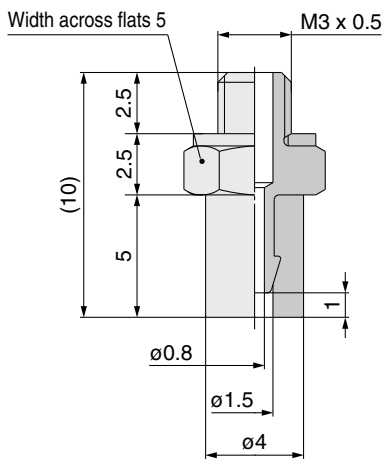
Pad material

Symbol	Material
GS	Conductive silicone rubber
GC	Conductive CR

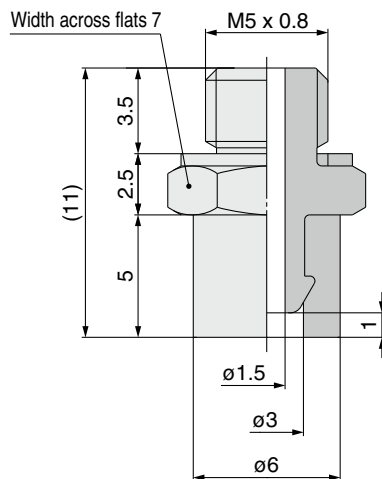
\* The pad is shipped together but does not come assembled.

## Dimensions: With Adapter

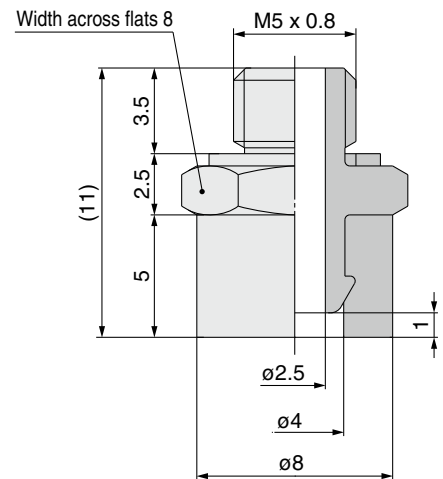
**ZP2-T04S□-A3**



**ZP2-T06S□-A5**

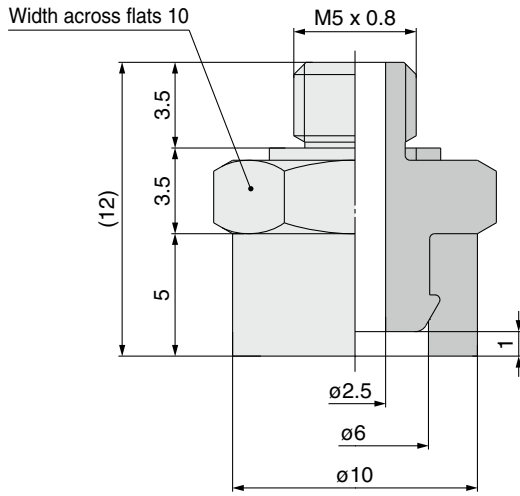


**ZP2-T08S□-A5**

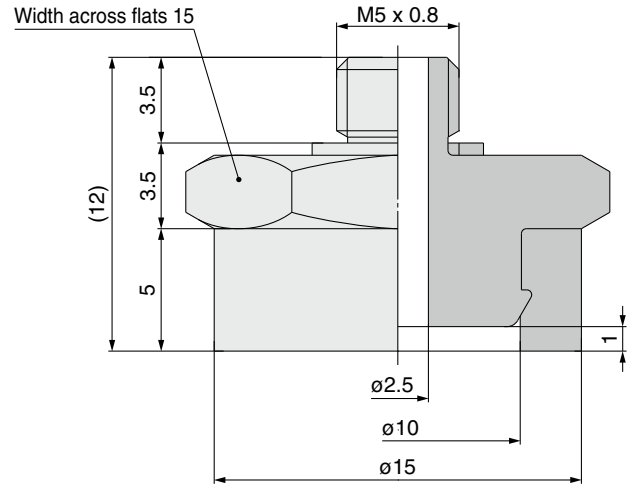


**Dimensions: With Adapter**

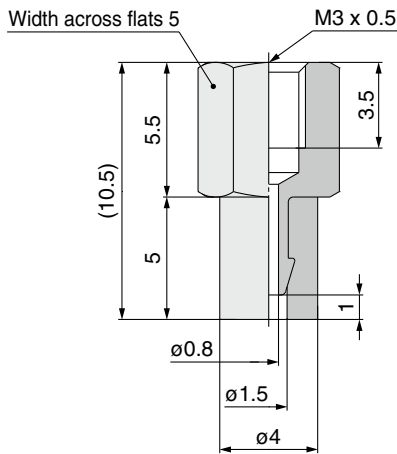
**ZP2-T10S□-A5**



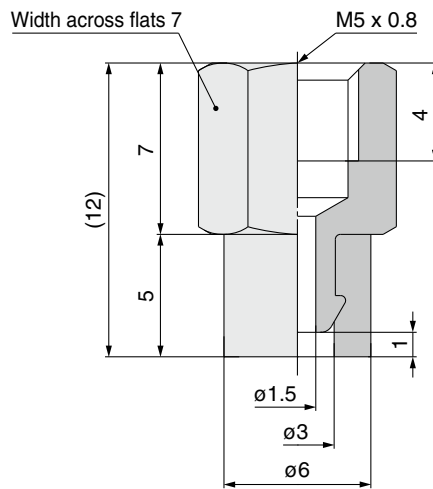
**ZP2-T15S□-A5**



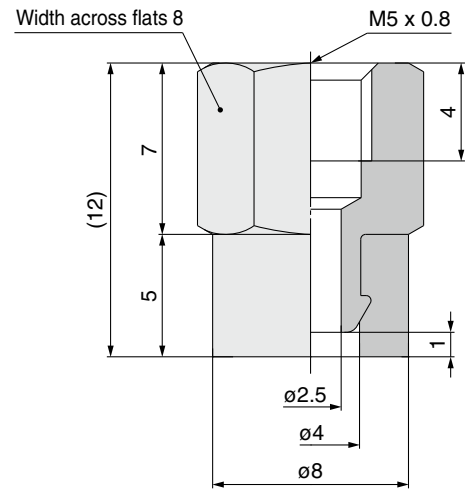
**ZP2-T04S□-B3**



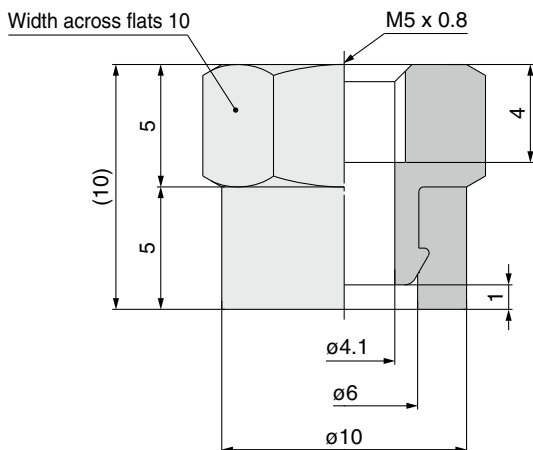
**ZP2-T06S□-B5**



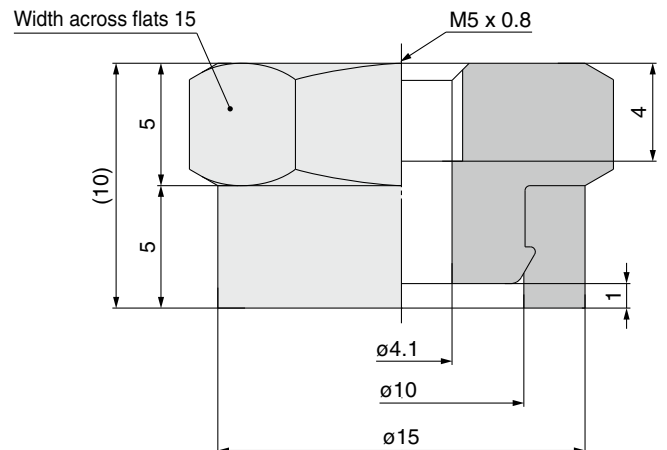
**ZP2-T08S□-B5**



**ZP2-T10S□-B5**



**ZP2-T15S□-B5**



Model Selection

For Special Applications

Mark-free

For Film Adsorption

Multistage

Flat

Nozzle

Sponge

For Disk Adsorption

For Panel Holding

Ball Spline Buffer

Construction

Mounting Bracket Assembly

Precautions

# Sponge Pad *ZP2 Series* Mounting Bracket Assembly

## Adapter Assembly

<b>Product part no.</b>	<p>ZP2 - T ① S □ - ②</p> <p>Pad diameter      •      Connection thread (Male/Female thread)</p> <p>Sponge      •      Pad material</p>
<b>Component parts</b>	<div style="display: flex; justify-content: space-around;"> <div style="text-align: center;"> <p><b>Male thread</b></p> <p>① Adapter (With gasket)</p> <p>② Gasket</p> </div> <div style="text-align: center;"> <p><b>Female thread</b></p> <p>① Adapter</p> </div> </div>

		Symbol	① Pad diameter symbol						
			04	06	08	10	15		
① Adapter	② Connection thread	Male thread	M3 x 0.5	<b>A3</b>	ZP2A-S01P	—			
			M5 x 0.8	<b>A5</b>	—	ZP2A-S02P	ZP2A-S03P	ZP2A-S04P	ZP2A-S05P
	Female thread	M3 x 0.5	<b>B3</b>	ZP2A-S11	—				
		M5 x 0.8	<b>B5</b>	—	ZP2A-S12	ZP2A-S13	ZP2A-S14	ZP2A-S15	
② Gasket (Single unit)		10 pcs.*1	<b>M-3G2</b>	<b>ZP-5G2</b>					
		100 pcs.*1		<b>M-5G2</b>					

\*1 The gasket (single unit) sales unit is shown.