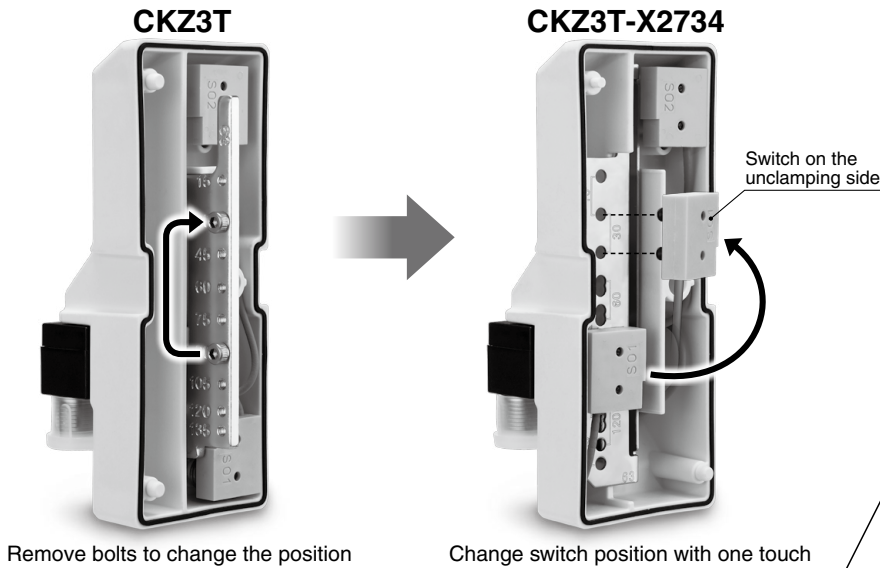


# Power Clamp Cylinder

ø50, ø63

- Simple switch adjustment greatly reduces work hours. Switch can be adjusted easily when changing the arm opening angle.



- With metal switch cassette cover
  - Protects switch cassette from unexpected impact

- Weight reduced by up to **39%**
  - Aluminum body with greatly reduced weight
  - Suitable for robot material handling

| Bore size | CKZT → CKZ3T-X2734     | Reduction rate |
|-----------|------------------------|----------------|
| 50        | 5.0 kg → <b>3.1 kg</b> | 38% reduction  |
| 63        | 7.1 kg → <b>4.3 kg</b> | 39% reduction  |

\* Arm opening angle: 90°

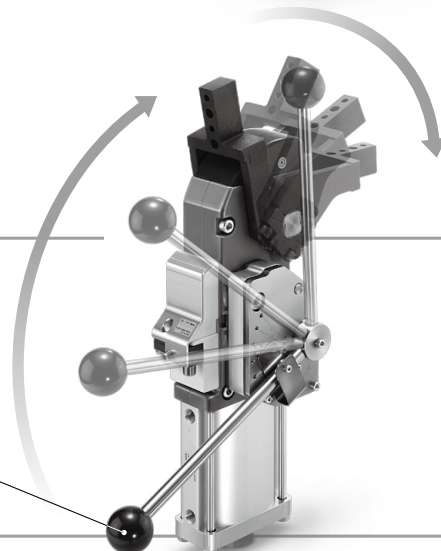
- High clamping force **4000 N**  
(ø63, Arm length: 100 mm, 0.5 MPa pressure)

**New**

**A model with a manually operated handle is available.**

- For manual workpiece setting processes

Manually operated handle  
(Unclamping position)



**CKZ3T-X2734** (Base Type)  
**CKZ3T-X2568** (With Manually Operated Handle)



# Power Clamp Cylinder

## CKZ3T-X2734

## CKZ3T-X2568

ø50, ø63

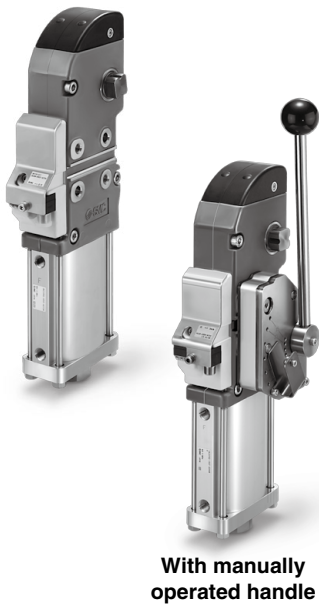
### How to Order

#### Base type

CKZ3T 50 - 90 T - X2734

#### With manually operated handle

CKZ3T 50 - 90 T - X2568 L



With manually operated handle

**Bore size**

|    |                |
|----|----------------|
| 50 | ø50 equivalent |
| 63 | ø63 equivalent |

**Cylinder port**

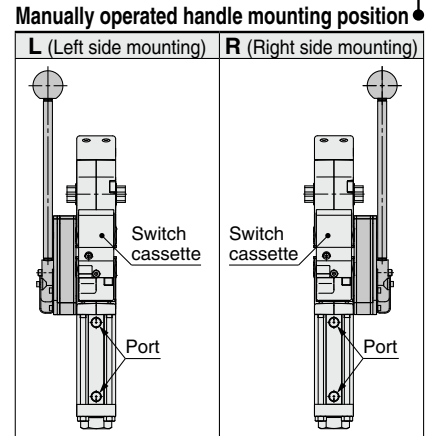
|     |     |
|-----|-----|
| Nil | G   |
| TN  | NPT |
| TP  | Rc  |

**Arm opening angle**

| Symbol | Arm opening angle | X2734 | X2568 |
|--------|-------------------|-------|-------|
| 15     | 15°               | ○     | ○     |
| 30     | 30°               | ○     | ○     |
| 45     | 45°               | ○     | ○     |
| 60     | 60°               | ○     | ○     |
| 75     | 75°               | ○     | ○     |
| 90     | 90°               | ○     | ○     |
| 105    | 105°              | ○     | ○     |
| 120    | 120°              | ○     | ○     |
| 135    | 135°              | ○     | —     |

**Top cover**

|     |   |
|-----|---|
| Nil | Rubber cover<br>(Equivalent to UL94 Standard V0: Flame resistant) |
| M   | Metal cover   |



\* Switch cassette viewed from the front.

**Proximity switch**

|   |       |
|---|-------|
| T | TURCK |
| P | P&F   |
| W | None  |

#### Clamp arm

CKZT 50 - A015 C S

**Bore size**

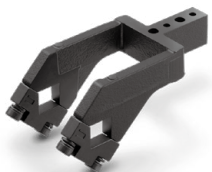
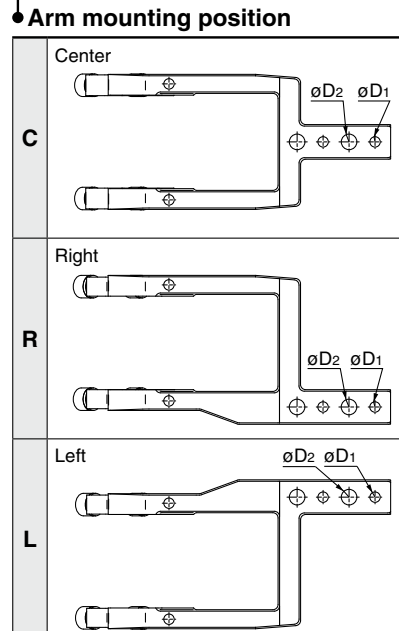
|    |                |
|----|----------------|
| 50 | ø50 equivalent |
| 63 | ø63 equivalent |

**Offset**

|      |              |
|------|--------------|
| A015 | Offset 15 mm |
| A045 | Offset 45 mm |

**Mounting hole**

| Symbol | D1 | D2   |
|--------|----|------|
| S      | 6  | 9    |
| B      | 8  | 10.2 |



Mounted arm

## Cylinder Specifications

| Bore size                       | 50  | 63       |
|---------------------------------|---|----------|
| Action                          | Double acting   |          |
| Fluid                           | Air   |          |
| Proof pressure                  | 1.2 MPa   |          |
| Max. operating pressure         | 0.8 MPa   |          |
| Min. operating pressure         | 0.3 MPa   |          |
| Ambient and fluid temperatures  | -10 to 60°C (No freezing)                             |          |
| Cushion                         | Clamping side: None<br>Unclamping side: Rubber bumper |          |
| Operating time                  | Clamping: 1 s or more, Unclamping: 1 s or more        |          |
| Max. allowable holding moment*1 | 800 N·m   | 1500 N·m |

\*1 Refer to the maximum holding force (torque) while clamped with the operating air exhausted.  
This is not the possible holding force (torque) for normal use.

## Weight (Cylinder Without Clamp Arm)

| Bore size | Arm opening angle |     |     |     |     |     |      |      |      | Additional weight of the manually operated handle |
|-----------|-------------------|-----|-----|-----|-----|-----|------|------|------|---|
|           | 15°               | 30° | 45° | 60° | 75° | 90° | 105° | 120° | 135° |   |
| 50        | 3.2               | 3.2 | 3.1 | 3.1 | 3.1 | 3.1 | 3.1  | 3.1  | 3.0  | 1.7   |
| 63        | 4.4               | 4.4 | 4.3 | 4.3 | 4.3 | 4.3 | 4.2  | 4.2  | 4.2  | 1.7   |

\* Refer to pages 6 and 7 for the weight of clamp arms.

## Cylinder Stroke

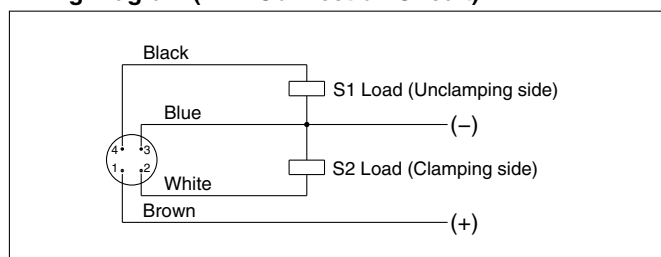
| Bore size | Arm opening angle |      |      |      |      |      |      |      |      |
|-----------|-------------------|------|------|------|------|------|------|------|------|
|           | 15°               | 30°  | 45°  | 60°  | 75°  | 90°  | 105° | 120° | 135° |
| 50        | 22.7              | 31.9 | 39.7 | 47.2 | 54.8 | 62.7 | 70.4 | 77.2 | 82.1 |
| 63        | 24.2              | 34.2 | 42.6 | 50.6 | 58.7 | 66.9 | 74.8 | 81.6 | 86.4 |

## Proximity Switch Specifications

| Manufacturer            | TURCK   | P&F   |
|-------------------------|---|---|
| Power supply voltage    | 10 to 30 VDC                                  | 10 to 30 VDC                                  |
| Output                  | N.O., PNP                                     | N.O., PNP                                     |
| Continuous load current | 150 mA  | 100 mA  |
| Response frequency      | 30 Hz   | 25 Hz   |
| Housing material        | PBT   | PA6, PBT                                      |
| Output indication       | Clamping side: Red<br>Unclamping side: Yellow | Clamping side: Red<br>Unclamping side: Yellow |
| Voltage indication      | Green   | Green   |
| Connector               | M12 connector                                 | M12 connector                                 |

\* Switch specifications correspond to the manufacturers' technical information.

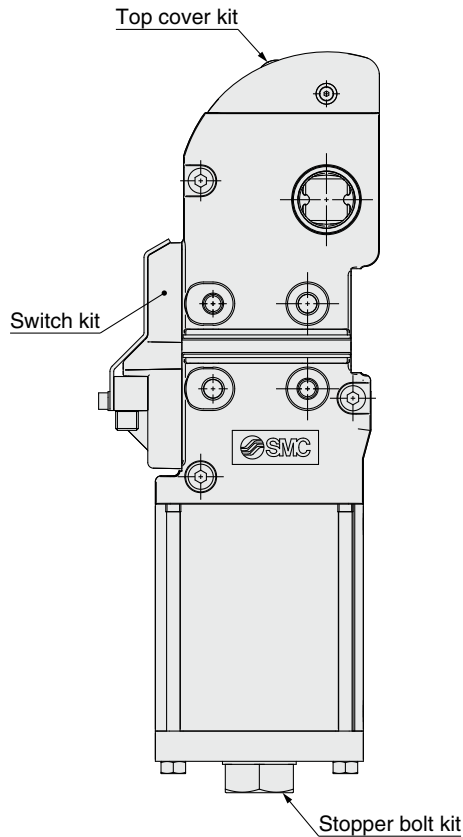
## Wiring Diagram (PNP Connection Circuit)



\* Applicable to both TURCK and P&F.

\* Please contact SMC for NPN specifications.

## Replacement Parts



### Switch Kit No. (with Metal Switch Cassette Cover)

**CKZ3N-S 050 T-X2734**

| Bore size |                | Proximity switch |       |
|-----------|----------------|------------------|-------|
| 050       | ø50 equivalent | T                | TURCK |
| 063       | ø63 equivalent | P                | P&F   |
|           |                | W                | None  |

\* The switch kit includes a switch cassette assembly, metal switch cassette cover, and mounting brackets.

### Stopper Bolt Kit No.

**CKZ3N-B 050 D**

| Bore size |                | Arm opening angle |      |
|-----------|----------------|-------------------|------|
| 050       | ø50 equivalent | J                 | 15°  |
| 063       | ø63 equivalent | H                 | 30°  |
|           |                | G                 | 45°  |
|           |                | F                 | 60°  |
|           |                | E                 | 75°  |
|           |                | D                 | 90°  |
|           |                | C                 | 105° |
|           |                | B                 | 120° |
|           |                | A                 | 135° |

\* The stopper bolt kit includes a stopper bolt and mounting brackets.

### Top Cover Kit No.

Rubber cover

**CKZ2N-T 050**

| Bore size |                |
|-----------|----------------|
| 050       | ø50 equivalent |
| 063       | ø63 equivalent |

Metal cover

**CKZ3N-T 050 M**

| Bore size |                |
|-----------|----------------|
| 050       | ø50 equivalent |
| 063       | ø63 equivalent |

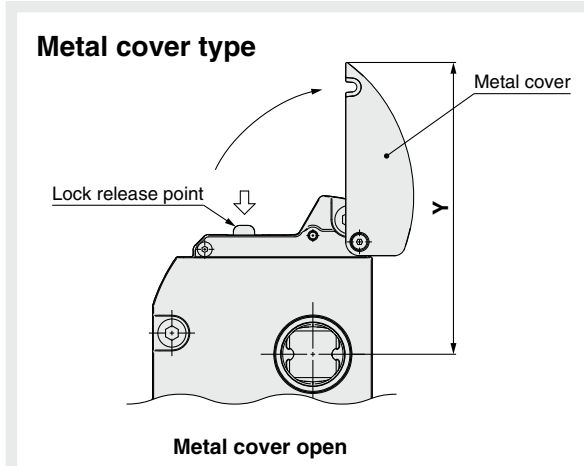
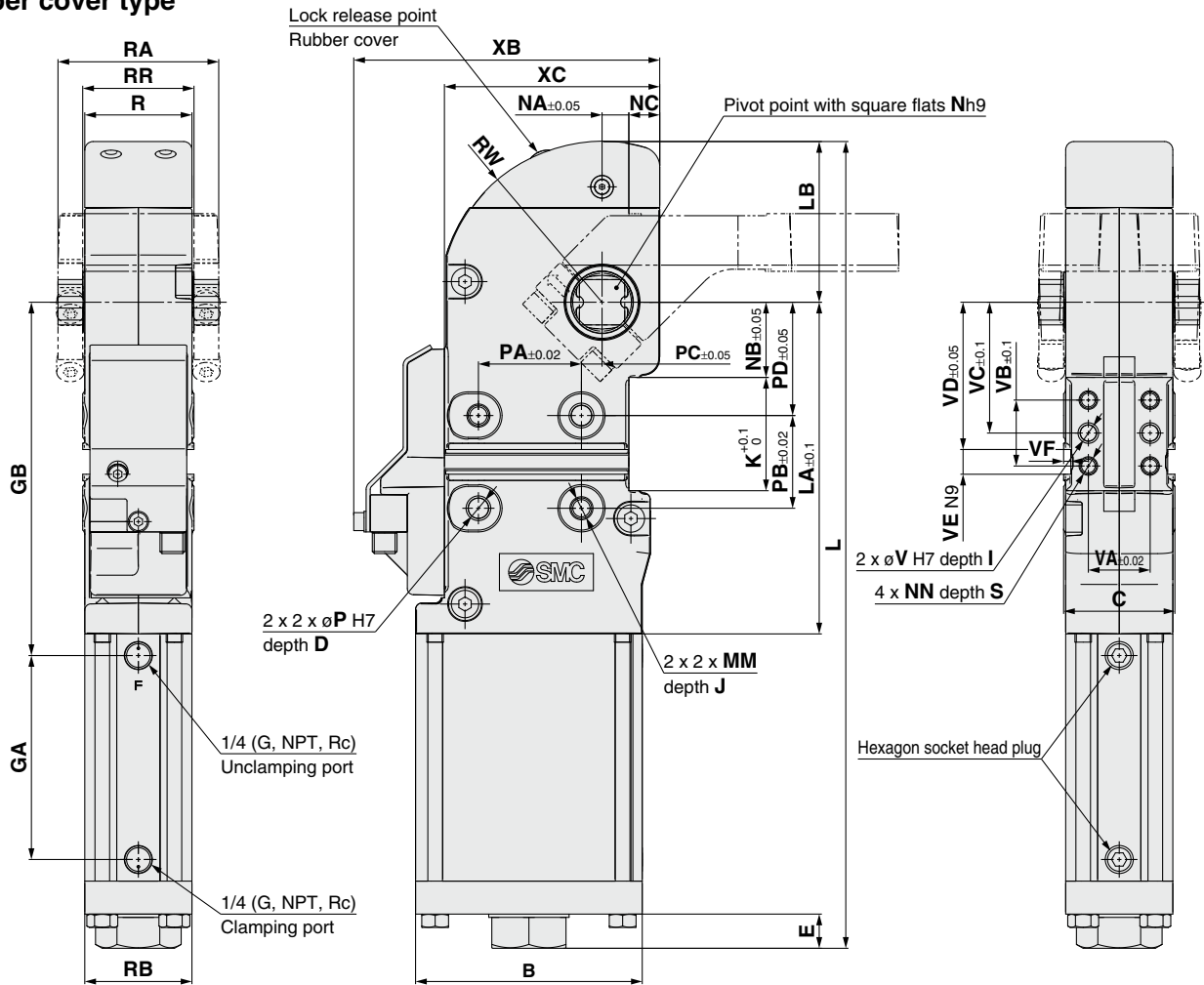
\* The top cover kit includes a top cover and mounting brackets.

\* Refer to page 12 for procedures for changing the stopper bolt and switch positions and for top cover replacement instructions.

**Dimensions**

**CKZ3T-X2734**

**Rubber cover type**



| Bore size | B   | C  | D  | E    | GA | GB    | I  | J  | K  | L     | LA    | LB           |             | MM        | N  | NA | NB   | NC  | NN        |
|-----------|-----|----|----|------|----|-------|----|----|----|-------|-------|--------------|-------------|-----------|----|----|------|-----|-----------|
|           |     |    |    |      |    |       |    |    |    |       |       | Rubber cover | Metal cover |           |    |    |      |     |           |
| 50        | 92  | 48 | 12 | 13.7 | 95 | 166   | 10 | 12 | 55 | 376.6 | 155.5 | 78.4         | 78.4        | M10 x 1.5 | 19 | 13 | 36.5 | 9.5 | M8 x 1.25 |
| 63        | 110 | 54 | 12 | 16.6 | 99 | 171.5 | 10 | 12 | 55 | 391.6 | 161   | 78           | 78.4        | M10 x 1.5 | 22 | 13 | 36.5 | 15  | M8 x 1.25 |

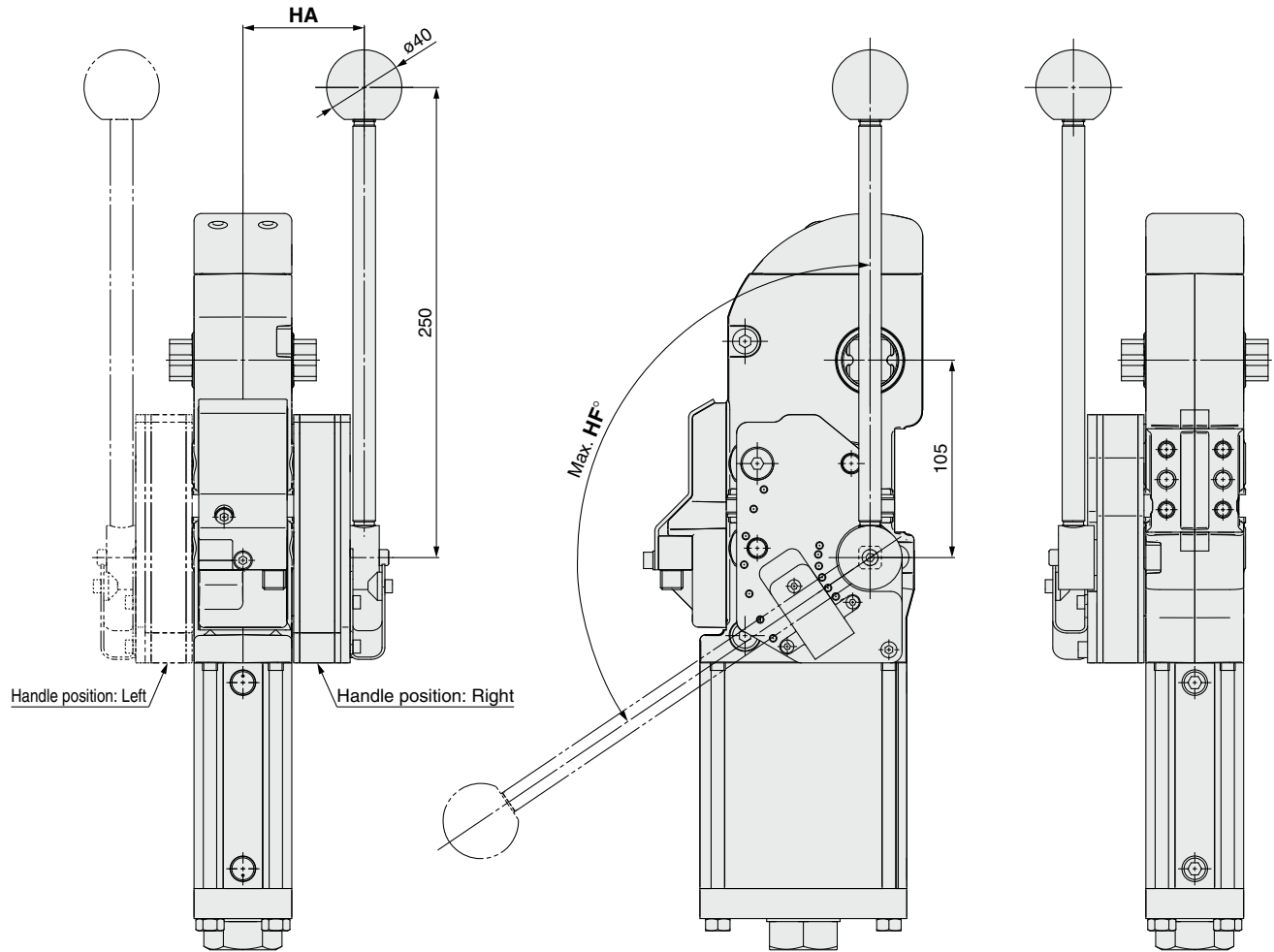
  

| Bore size | P  | PA | PB | PC | PD | R  | RA | RB | RR | S  | V | VA | VB | VC   | VD   | VE | VF  | W    | XB    | XC    | Y   |
|-----------|----|----|----|----|----|----|----|----|----|----|---|----|----|------|------|----|-----|------|-------|-------|-----|
| 50        | 10 | 50 | 45 | 10 | 55 | 46 | 68 | 46 | 48 | 11 | 8 | 30 | 32 | 63.5 | 71.5 | 12 | 3.5 | 78.4 | 136   | 92    | 132 |
| 63        | 10 | 50 | 45 | 10 | 55 | 52 | 78 | 52 | 54 | 11 | 8 | 30 | 32 | 63.5 | 71.5 | 12 | 3.5 | 78   | 148.5 | 104.5 | 138 |

## Dimensions: With Manually Operated Handle

### CKZ3T-X2568<sup>L</sup><sub>R</sub>

\* Refer to the CKZ3T-X2734 (page 4) for dimensions other than those shown below.

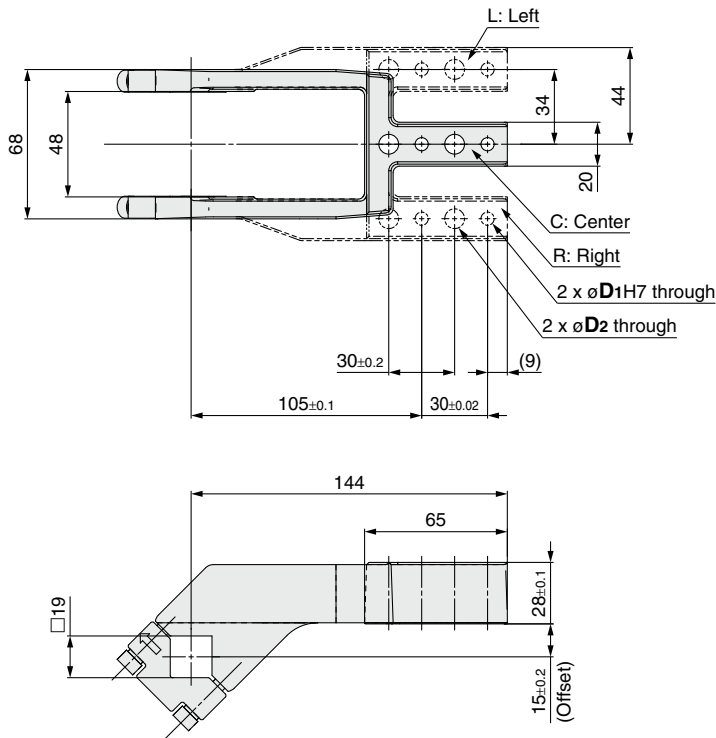


| [mm]      |      |
|-----------|------|
| Bore size | HA   |
| 50        | 61.5 |
| 63        | 64.5 |

| [mm]      |                       |     |
|-----------|-----------------------|-----|
| Bore size | Arm opening angle [°] | HF° |
| 50        | 15                    | 36  |
|           | 30                    | 49  |
|           | 45                    | 61  |
|           | 60                    | 73  |
|           | 75                    | 87  |
|           | 90                    | 101 |
|           | 105                   | 114 |
| 63        | 120                   | 124 |
|           | 15                    | 41  |
|           | 30                    | 55  |
|           | 45                    | 68  |
|           | 60                    | 81  |
|           | 75                    | 94  |
|           | 90                    | 107 |
|           | 105                   | 117 |
|           | 120                   | 124 |

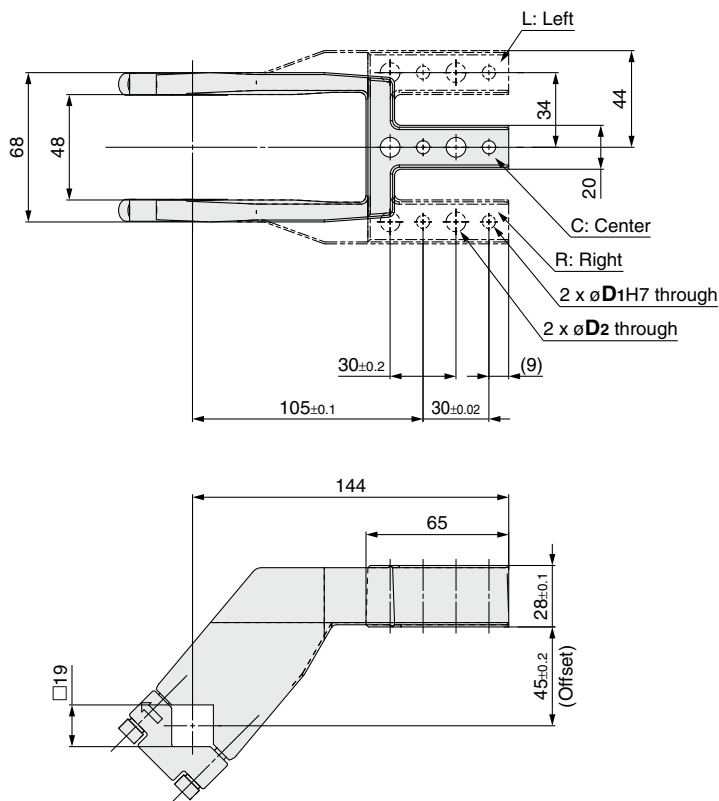
**Dimensions: Clamp Arm** **Bore Size 50**

**Offset 15 mm**



| Model         | D <sub>1</sub> | D <sub>2</sub> | Weight [kg] |
|---------------|----------------|----------------|-------------|
| CKZT50-A015CS | 6              | 9              | 0.8         |
| CKZT50-A015CB | 8              | 10.2           | 0.8         |
| CKZT50-A015RS | 6              | 9              | 0.9         |
| CKZT50-A015RB | 8              | 10.2           | 0.9         |
| CKZT50-A015LS | 6              | 9              | 0.9         |
| CKZT50-A015LB | 8              | 10.2           | 0.9         |

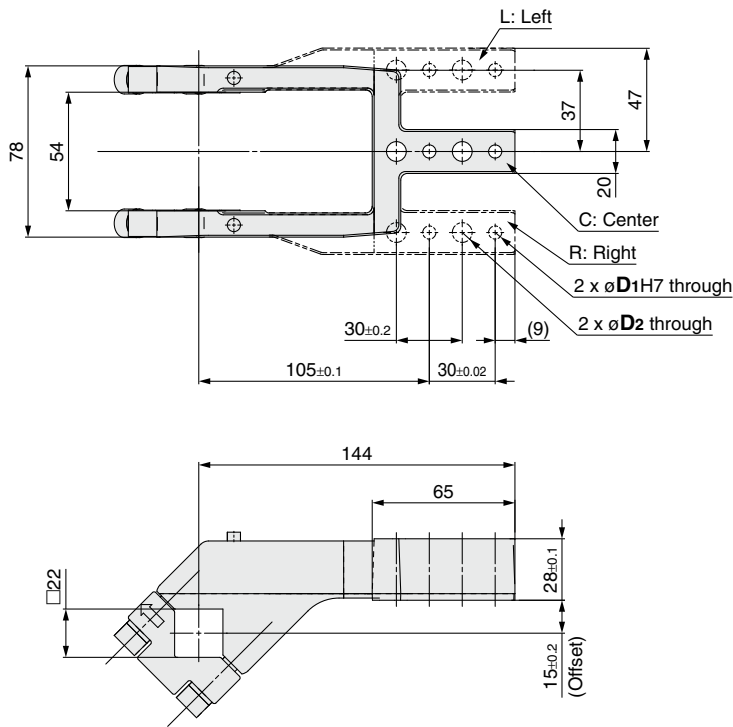
**Offset 45 mm**



| Model         | D <sub>1</sub> | D <sub>2</sub> | Weight [kg] |
|---------------|----------------|----------------|-------------|
| CKZT50-A045CS | 6              | 9              | 0.9         |
| CKZT50-A045CB | 8              | 10.2           | 0.9         |
| CKZT50-A045RS | 6              | 9              | 1.0         |
| CKZT50-A045RB | 8              | 10.2           | 1.0         |
| CKZT50-A045LS | 6              | 9              | 1.0         |
| CKZT50-A045LB | 8              | 10.2           | 1.0         |

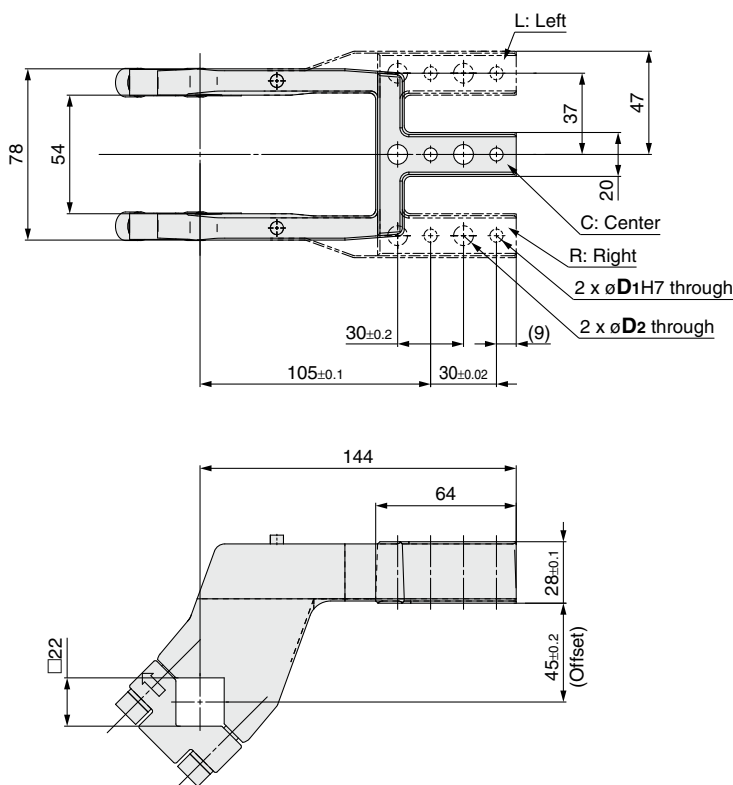
**Dimensions: Clamp Arm** **Bore Size 63**

**Offset 15 mm**



| Model         | D <sub>1</sub> | D <sub>2</sub> | Weight [kg] |
|---------------|----------------|----------------|-------------|
| CKZT63-A015CS | 6              | 9              | 1.0         |
| CKZT63-A015CB | 8              | 10.2           | 1.0         |
| CKZT63-A015RS | 6              | 9              | 1.1         |
| CKZT63-A015RB | 8              | 10.2           | 1.1         |
| CKZT63-A015LS | 6              | 9              | 1.1         |
| CKZT63-A015LB | 8              | 10.2           | 1.1         |

**Offset 45 mm**

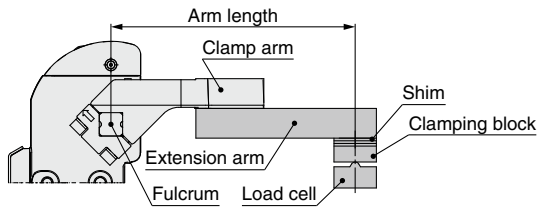


| Model         | D <sub>1</sub> | D <sub>2</sub> | Weight [kg] |
|---------------|----------------|----------------|-------------|
| CKZT63-A045CS | 6              | 9              | 1.2         |
| CKZT63-A045CB | 8              | 10.2           | 1.2         |
| CKZT63-A045RS | 6              | 9              | 1.3         |
| CKZT63-A045RB | 8              | 10.2           | 1.2         |
| CKZT63-A045LS | 6              | 9              | 1.3         |
| CKZT63-A045LB | 8              | 10.2           | 1.2         |

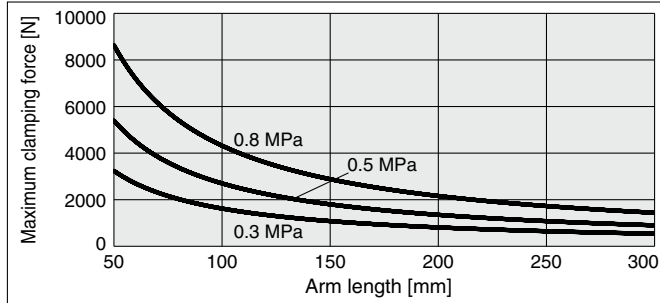


# Model Selection

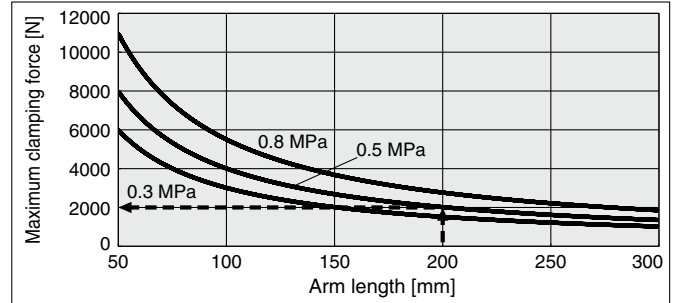
## Relation between arm length and clamping force



**Bore Size: 50**



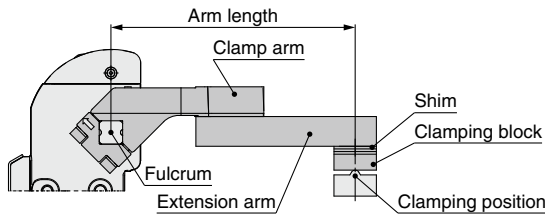
**Bore Size: 63**



**Calculation example** Bore size: 63, Arm length: 200 mm, Operating pressure: 0.5 MPa

With an arm length of 200 mm and an operating pressure of 0.5 MPa, according to the graph, the maximum clamping force is 2000 N.

## Allowable arm length



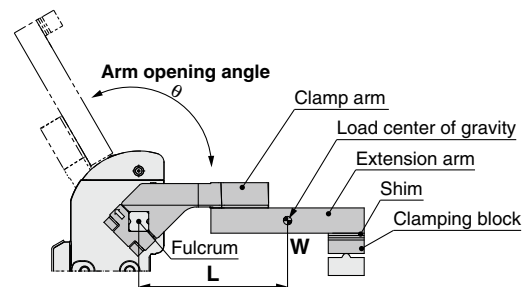
| Bore size | Allowable arm length [mm] |
|-----------|---------------------------|
| 50        | 300                       |
| 63        | 300                       |

## Allowable load mass

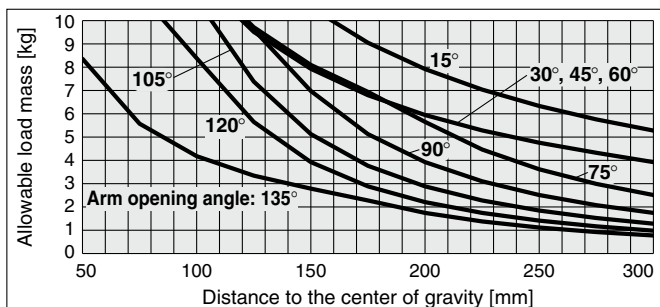
The allowable load mass changes depending on the arm opening angle. Be sure to use the product within the allowable values shown in the graphs below.  
 \* The load indicates the total weight of the clamp arm, allowable arm and clamping block.  
 \* When the operating time is 1 second

### Calculation procedure for allowable load mass

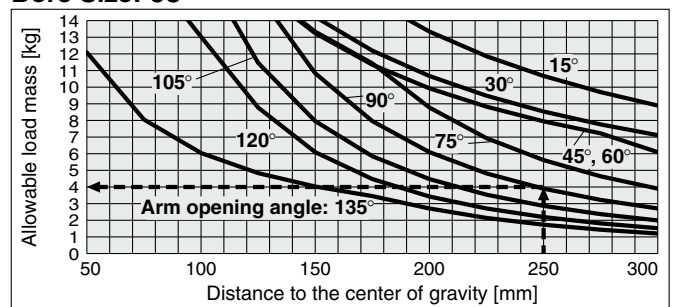
1. Calculate the distance L from the fulcrum to the load center of gravity.
2. Check the arm opening angle of the product.
3. Read the allowable load mass from the graph.



**Bore Size: 50**



**Bore Size: 63**



**Calculation example** Bore size: 63, Arm opening angle: 90°, Distance to the center of gravity L: 250 mm

With an arm opening angle of 90° and a 250 mm distance to the center of gravity, according to the graph, the maximum allowable load mass is 4.0 kg.

# Setup Procedure

## Precautions

- 1) The tightening torque of the clamp arm is 12 to 15 N·m for  $\phi 50$  and 15 to 20 N·m for  $\phi 63$ . Refer to pages 6 and 7 for details on the clamp arm.
- 2) There is a mechanical difference of 0 to  $+0.5^\circ$  at the clamping end as shown in Figure 1. Be sure to make adjustments externally using a shim. Refer to page 11.
- 3) Be sure to use a speed controller, and make adjustments according to the following conditions.

**Unclamping to clamping: 1 second or more**

**Clamping to unclamping: 1 second or more**

If excessive kinetic energy is applied, there is a possibility of damage.

- 4) When using a side guide: Attach the side guide so that lateral loads, such as galling, etc., are not applied to the clamp arm.

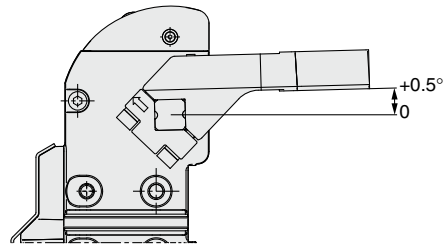
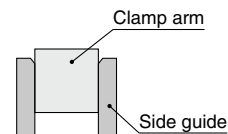
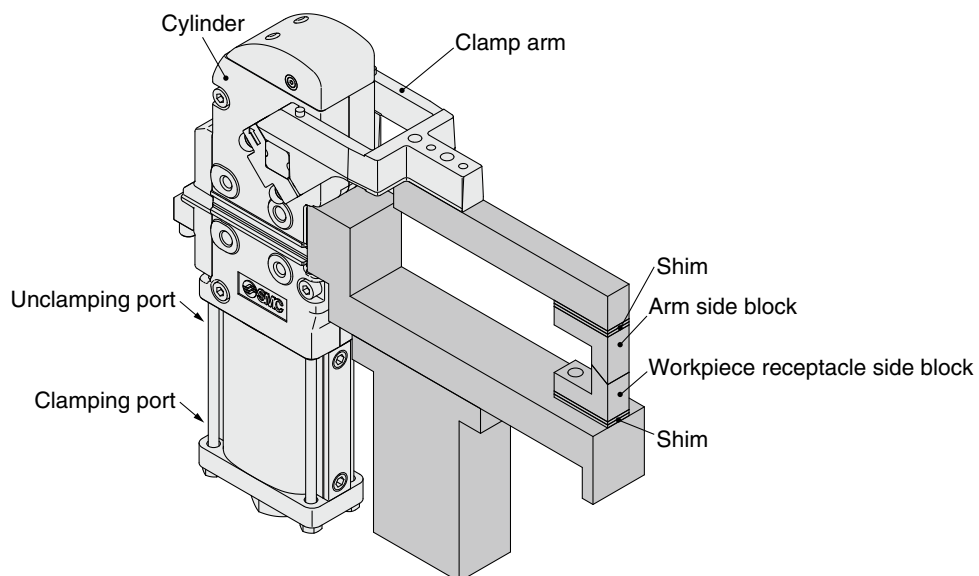


Figure 1

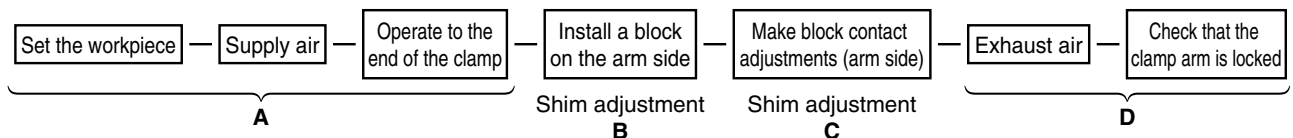


## Power clamp cylinder mounting and setup procedure

<Ex. 1 When using clamping force only: When equipped with a workpiece receptacle>



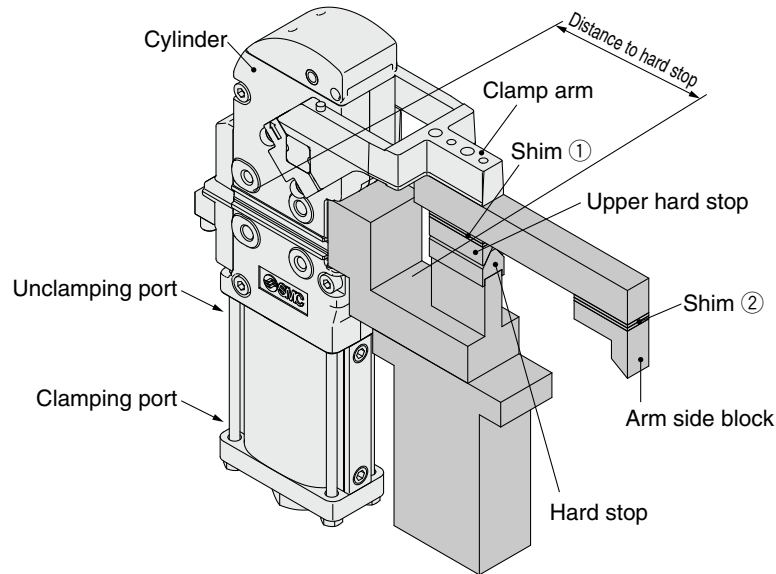
### Procedure



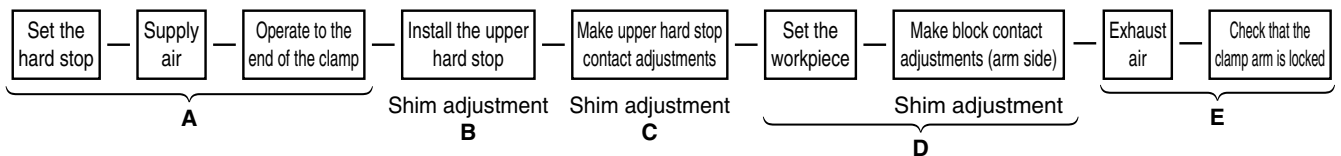
- A) Place the workpiece, supply air to the clamping port without attaching the block on the arm side, and operate the clamp arm to the end of the clamp.
- B) In the state of A), attach the workpiece and the arm side block, and adjust the shim so that there is a space of about 0 mm. During this step, theoretically, there is no clamping force pressing down on the workpiece.
- C) In order to generate a clamping force from the state described in step B), insert an additional shim. The thickness of the shim changes depending on the arm length and the operating pressure. Refer to page 11. Please note that the graph should only be used as a guide as there is a tolerance of about 10% in the clamp cylinder body.
- D) Exhaust the air while in the clamped state, and confirm that the clamp arm does not open.

**Power clamp cylinder mounting and setup procedure**

**<Ex. 2 When using a hard stop: When not equipped with a workpiece receptacle>**



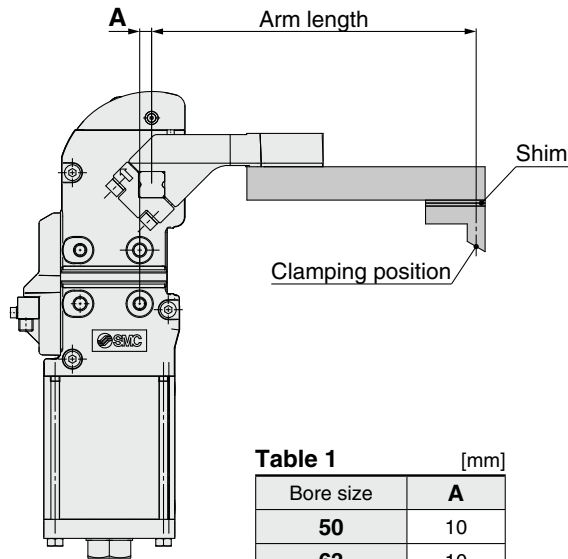
**Procedure**



- A) Supply air to the clamping port without installing the upper hard stop, and operate the clamp arm to the end of the clamp.
- B) In the state of A), attach the upper hard stop and adjust shim ① so that there is a space of about 0 mm between the upper hard stop and the hard stop.  
 During this step, theoretically, there is no clamping force applied to the hard stop.
- C) In order to generate a clamping force from the state described in step B), insert an additional shim.  
 The thickness of the shim changes depending on the distance to the hard stop and the operating pressure. Refer to page 11, and consider the distance to the hard stop as the arm length.  
 Please note that the graph should only be used as a guide as there is a tolerance of about 10% in the clamp cylinder body.
- D) In the state of C), adjust shim ② so that the arm side block contacts the workpiece.
- E) Exhaust the air while in the clamped state, and confirm that the clamp arm does not open.

## Relation between shim thickness and clamping force

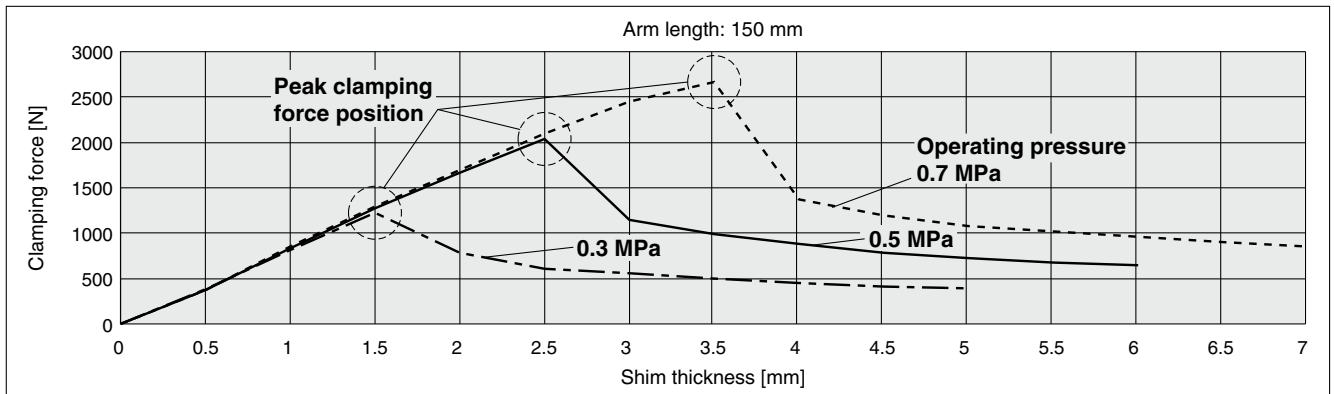
- \* Use this figure as a guide as there is a tolerance of about 10% in the clamp cylinder body.
- \* When a shim exceeding the peak clamping force position on the graph is inserted, the lock will not be activated when clamped. Insert a shim of the appropriate thickness.
- \* The arm length indicates the distance between the clamp arm shaft and the clamping position.  
For distance "A" between the knock positioning pinhole and the clamp arm shaft, refer to Table 1.



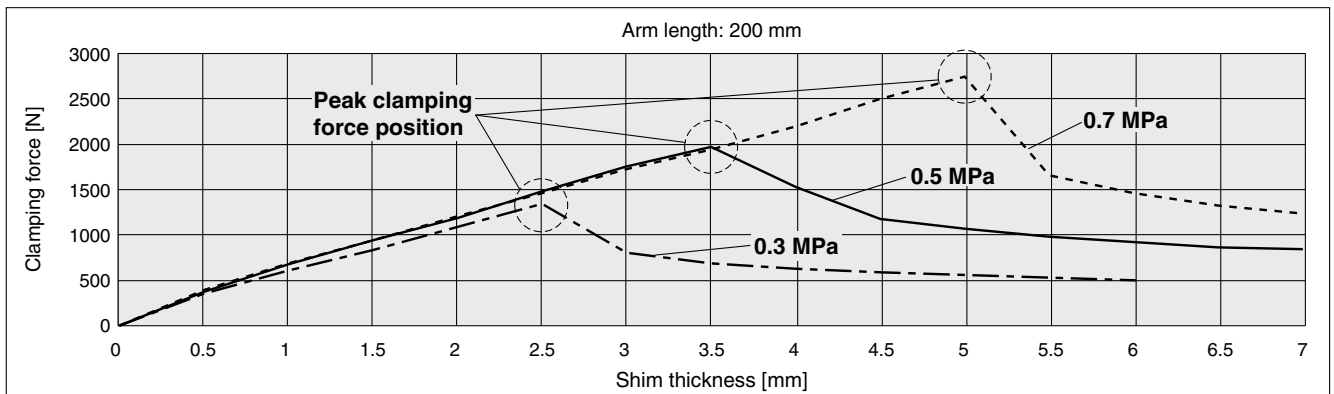
**Table 1** [mm]

| Bore size | A  |
|-----------|----|
| 50        | 10 |
| 63        | 10 |

### Bore Size: 50



### Bore Size: 63

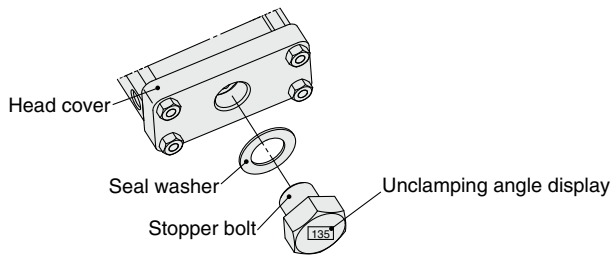


## To change the arm opening angle

**⚠ Caution** Be sure to confirm safety, and perform the work while the air is exhausted.

### 1 Procedure for changing the stopper bolt position

- 1) Remove the stopper bolt of the head cover, and replace with a stopper bolt for the desired angle using the tightening torque below. When tightening the stopper bolt, hold the head cover.  
Refer to Replacement Parts (page 3) for the part numbers of the applicable stopper bolts.

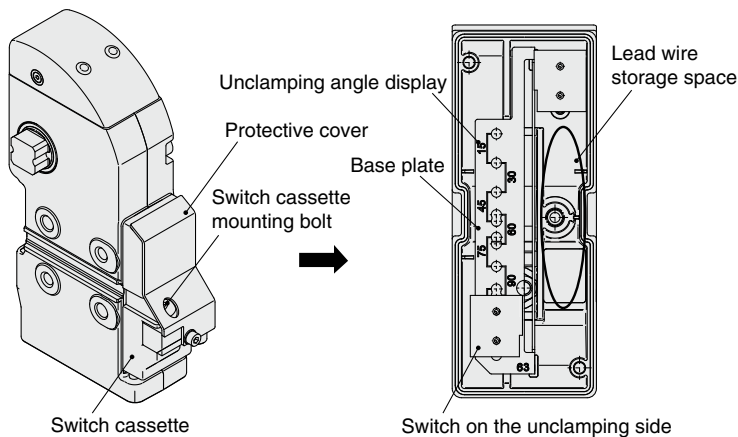


#### Stopper Bolt Tightening Torque

| Bore size | Tightening torque [N·m] |
|-----------|-------------------------|
| 50        | 45 to 65                |
| 63        | 85 to 115               |

### 2 Procedure for changing the switch position

- 1) Loosen the switch cassette mounting bolt, and remove the switch cassette.
- 2) Remove the switch on the unclamping side, and attach it in the position of the desired angle. Store the lead wire in the storage space.
- 3) Mount the switch cassette to the body, and tighten the switch cassette mounting bolt to the tightening torque shown below.  
Refer to Replacement Parts (page 3) for the part numbers of the switch cassette replacement parts.



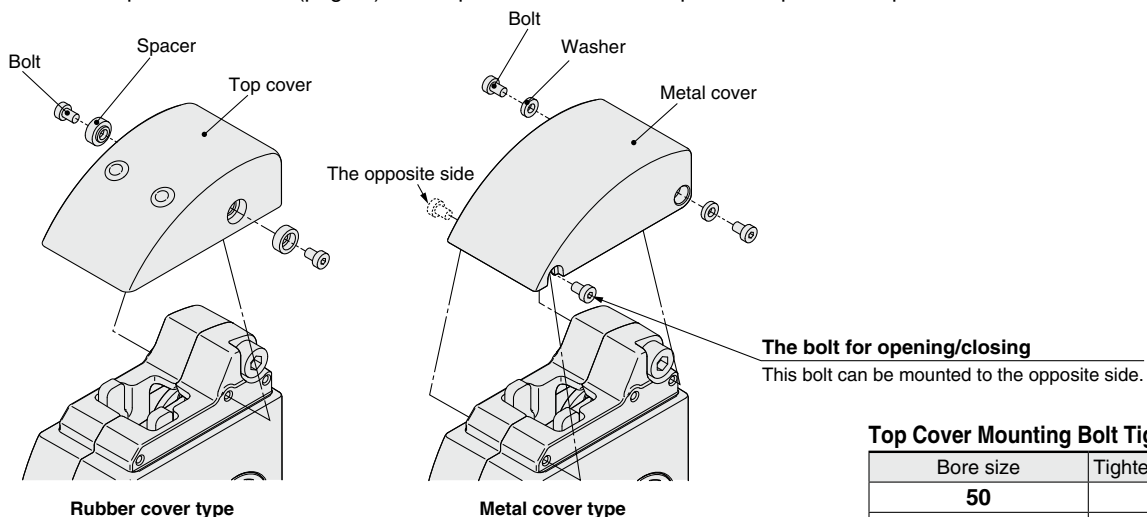
#### Switch Cassette Mounting Bolt Tightening Torque

| Bore size | Tightening torque [N·m] |
|-----------|-------------------------|
| 50        | 2.6 to 3.5              |
| 63        | 2.6 to 3.5              |

## Top cover replacement

**⚠ Caution** Be sure to confirm safety, and perform the work while the air is exhausted.

- 1) Mount the top cover to the clamp cylinder, then tighten it to the specified tightening torque below.
- 2) It is possible to change from a rubber cover type to a metal cover type.  
Refer to Replacement Parts (page 3) for the part numbers of the top cover replacement parts.



#### Top Cover Mounting Bolt Tightening Torque

| Bore size | Tightening torque [N·m] |
|-----------|-------------------------|
| 50        | 1.5 to 2.0              |
| 63        | 1.5 to 2.0              |



# Specific Product Precautions

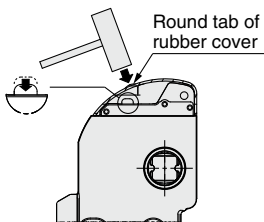
Be sure to read this before handling the products. For safety instructions and actuator precautions, refer to the “Handling Precautions for SMC Products” and the “Operation Manual” on the SMC website: <http://www.smcworld.com>

## ⚠ Caution

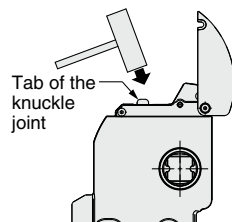
### 1. Manual lock release

Be sure to confirm safety before manually releasing the lock, and only perform work while **the air is exhausted**. Otherwise, the clamp arm may operate.

- In the case of a rubber cover, the lock can be released easily by hitting the round tab on the cover with a plastic hammer.
- In the case of a metal cover, the lock can be released easily by opening the cover and hitting the tab of the knuckle joint with a plastic hammer.

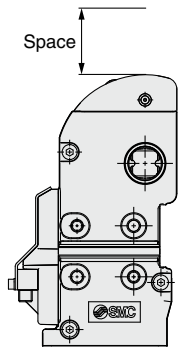


Rubber cover type

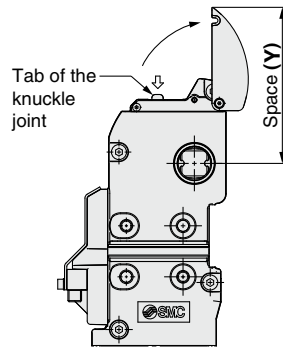


Metal cover type

- Provide enough space to perform a manual lock release.



Rubber cover type



Metal cover type

| [mm]      |     |
|-----------|-----|
| Bore size | Y   |
| 50        | 132 |
| 63        | 138 |

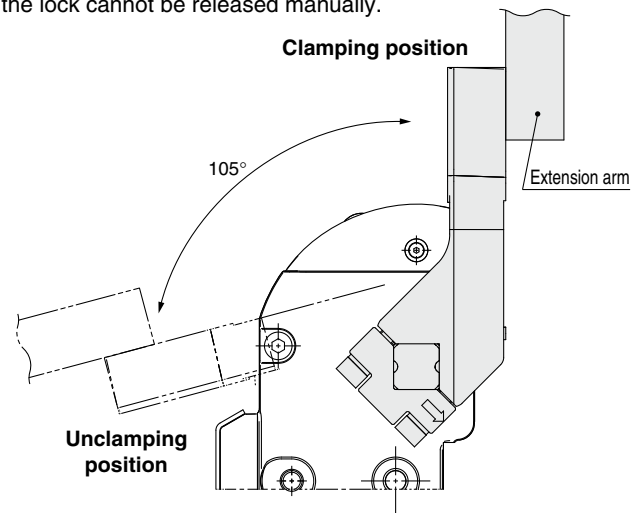
## ⚠ Caution

### 2. Do not disassemble the power clamp cylinder.

The power clamp cylinder consists of a completely sealed structure in order to protect it from welding spatter. Do not disassemble, except for when replacing any of the replaceable parts, as the performance may deteriorate.

### 3. Vertical clamping

When mounting the clamp arm in a vertical clamping position, mount as shown in the figure below. The maximum arm opening angle is 105°. In the case of a metal cover type, select a 45 mm offset for the clamp arm. When a 15 mm offset is selected, the metal cover and clamp arm will interfere and the lock cannot be released manually.



### 4. Proximity switch output

The switch output signal is output near the clamping end and the unclamping end respectively. The switch output signal on the clamping side does not output the status where the power clamp cylinder is locked by the toggle mechanism.

## Power Clamp Cylinder Variations

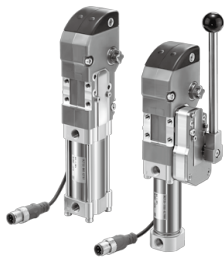
### Micro Clamp Cylinder/CKZM16-X2800/X2900



- Compact: Width 20 mm, Lightweight: 250 g
- Maximum clamping force: 200 N, Maximum holding force: 300 N
- Flat clamping characteristics  
Outputs constant clamping force for workpiece thicknesses up to 3.5 mm
- Reduction of design/assembly labor by unitization  
Arm assembly and mounting assembly have been added to the clamp cylinder.

| Type               | Series              | Action        | Bore size [mm] |
|--------------------|---------------------|---------------|----------------|
| <b>Base type</b>   | <b>CKZM16-X2800</b> | Double acting | 16             |
| <b>Tandem type</b> | <b>CKZM16-X2900</b> | Double acting | 16             |

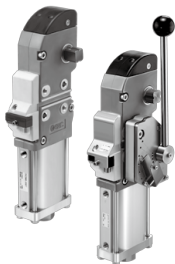
### Power Clamp Cylinder Compact Type/CKZT-X2797/X2798□



- Lightweight Weight: 580 g (ø25)
- Compact Width: 34 mm, Height: 192.4 mm (ø25, Arm opening angle: 90°)
- Clamping force: 1100 N (ø32, Arm length: 50 mm, 0.5 MPa pressure)
- Force amplification with a toggle mechanism and lock function
- Spatter-proof construction
- Equipped with a proximity switch that can be used in welding magnetic fields
- A model with a manually operated handle is available.

| Series   | Arm opening angle | Switch     | Bore size [mm] |
|--|-------------------|------------|----------------|
| <b>CKZT-X2797<br/>Base type</b>                      | 90°, 105°         | SENSTRONIC | 25, 32         |
| <b>CKZT-X2798□<br/>With manually operated handle</b> | 90°, 105°         | SENSTRONIC | 25, 32         |

### NAAMS Standards Compliant Power Clamp Cylinder/CKZ3N-X2742A/X2568□



- Weight reduced by up to 38%  
Aluminum body with greatly reduced weight  
Suitable for robot material handling
- Simple switch adjustment greatly reduces work hours.  
Switch can be adjusted easily when changing the arm opening angle.
- High clamping force 4000 N
- Metal switch cassette cover (Option)  
Protects switch cassette from unexpected impact
- A model with a manually operated handle is available.

| Series  | Arm opening angle                                | Switch    | Bore size [mm] |
|---|--|-----------|----------------|
| <b>CKZ3N-X2742A<br/>Base type</b>                     | 15°, 30°, 45°, 60°, 75°<br>90°, 105°, 120°, 135° | TURCK/P&F | 50, 63         |
| <b>CKZ3N-X2568□<br/>With manually operated handle</b> | 15°, 30°, 45°, 60°, 75°<br>90°, 105°, 120°, 135° | TURCK/P&F | 50, 63         |

### Power Clamp Cylinder/CKZT



- 3 types of arm variations for each size
- Spatter-resistant and water-resistant structure

| Series      | Arm opening angle                           | Switch    | Bore size [mm] |
|-------------|---|-----------|----------------|
| <b>CKZT</b> | 30°, 45°, 60°, 75°, 90°<br>105°, 120°, 135° | TURCK/P&F | 40, 50, 63, 80 |


### Power Clamp Cylinder/CKZ2N



- Complies with the new NAAMS Standards (North America Automotive Metric Standard)
- 138 types of arm variations
- Spatter-resistant and water-resistant structure

| Series       | Arm opening angle                           | Switch    | Bore size [mm] |
|--------------|---|-----------|----------------|
| <b>CKZ2N</b> | 30°, 45°, 60°, 75°, 90°<br>105°, 120°, 135° | TURCK/P&F | 50, 63, 80     |

\* For detailed dimensions and specifications, refer to the **Web Catalog**.

 **Safety Instructions** Be sure to read the "Handling Precautions for SMC Products" (M-E03-3) and "Operation Manual" before use.