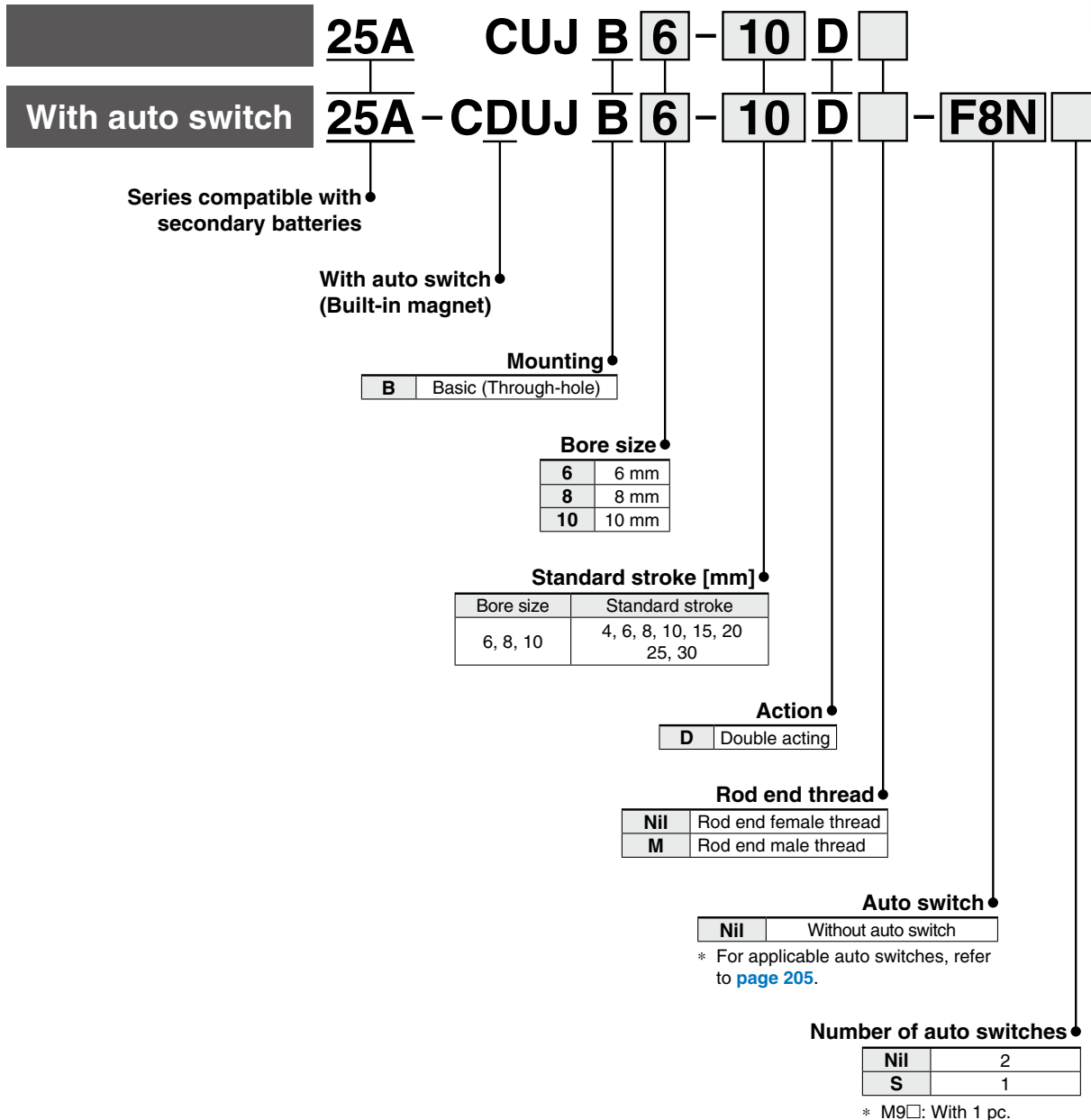


Mini Free Mount Cylinder

25A-CUJ Series

∅6, ∅8, ∅10

How to Order



Built-in Magnet Cylinder Model

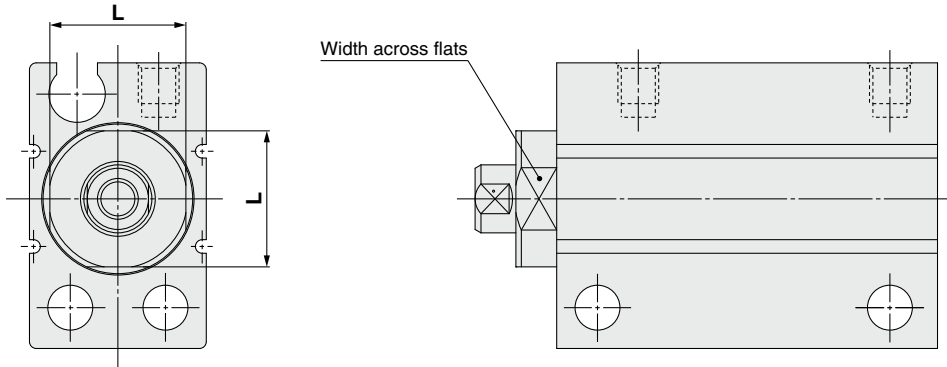
If a built-in magnet cylinder without an auto switch is required, there is no need to enter the symbol for the auto switch.
(Example) 25A-CDUJB8-15DM

* The 25A-series specifications are the same as those of the standard model.

[Click here for details.](#)

Dimensions (Dimensions other than those shown below are the same as the standard product.) [Click here for details.](#)

25A-C□UJB ⁶/₈/₁₀



[mm]

Bore size	L dimension
6	8
8	10
10	11

Directional
Control Valves

Air Cylinders

Related
Products

Rotary
Actuators

Air Grippers

Vacuum
Equipment

Air Preparation
Equipment

Clean
Air Filters

Modular F.R.L./Pressure
Control Equipment

Fittings/Flow
Control Equipment

Detection
Switches

Fluid Control
Equipment

Electric
Actuators

Auto
Switches

Mini Free Mount Cylinder

25A-CUJ Series

∅12, ∅16, ∅20

How to Order



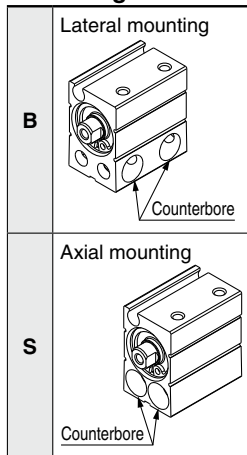
25A - CUJ B 12 - 30 D

With auto switch 25A - CDUJ B 12 - 30 D - F8N

Series compatible with secondary batteries

With auto switch (Built-in magnet)

Mounting direction



Bore size

12	12 mm
16	16 mm
20	20 mm

Standard stroke [mm]

Bore size	Standard stroke
12, 16, 20	5, 10, 15, 20, 25 30, 35, 40, 45, 50

Action

D	Double acting
---	---------------

Rod end thread

Nil	Rod end female thread
M	Rod end male thread

Auto switch

Nil	Without auto switch
-----	---------------------

* For applicable auto switches, refer to [page 205](#).

Number of auto switches

Nil	2
S	1

* M9□: With 1 pc.

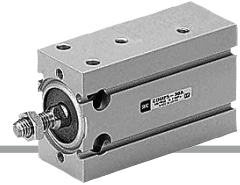
Built-in Magnet Cylinder Model

If a built-in magnet cylinder without an auto switch is required, there is no need to enter the symbol for the auto switch.
(Example) 25A-CDUJB12-15DM

* The 25A- series specifications and dimensions are the same as those of the standard model.

[Click here for details.](#)

Free Mount Cylinder Double Acting, Single Rod **25A-CU Series** ø10, ø16, ø20, ø25, ø32



How to Order

25A - C D U 16 - 30 D - M9BW []

Series compatible with secondary batteries

With auto switch

Nil	Without magnet for switch*1
D	With auto switch (Built-in magnet)

*1 In the case of without magnet for switch, auto switch cannot be mounted.

Bore size

10	10 mm
16	16 mm
20	20 mm
25	25 mm
32	32 mm

Action

D	Double acting
---	---------------

Auto switch

Nil	Without auto switch
-----	---------------------

* Refer to [page 205](#) for applicable auto switches.

Number of auto switches

Nil	2
S	1

Standard stroke [mm]

10, 16	5, 10, 15, 20, 25, 30
20, 25, 32	5, 10, 15, 20, 25, 30, 40, 50

Built-in Magnet Cylinder Model

If a built-in magnet cylinder without an auto switch is required, there is no need to enter the symbol for the auto switch.
(Example) 25A-CDU20-25D

* The 25A- series specifications and dimensions are the same as those of the standard model.

[Click here for details.](#)

Directional Control Valves

Air Cylinders

Related Products

Rotary Actuators

Air Grippers

Vacuum Equipment

Air Preparation Equipment

Clean Air Filters

Modular F.R.L. Pressure Control Equipment

Fittings/Flow Control Equipment

Detection Switches

Fluid Control Equipment

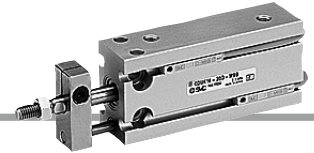
Electric Actuators

Auto Switches

Free Mount Cylinder: Non-rotating Rod Type Double Acting, Single Rod

25A-*CUK* Series

∅10, ∅16, ∅20, ∅25, ∅32



How to Order

25A - C D UK 16 - 30 D - M9BW []

Series compatible with secondary batteries

With auto switch

Nil	Without magnet for switch*1
D	With auto switch (Built-in magnet)

*1 In the case of without magnet for switch, auto switch cannot be mounted.

Non-rotating rod type

Bore size

10	10 mm
16	16 mm
20	20 mm
25	25 mm
32	32 mm

Standard stroke [mm]

10, 16	5, 10, 15, 20, 25, 30
20, 25, 32	5, 10, 15, 20, 25, 30, 40, 50

Action

D	Double acting
---	---------------

Auto switch

Nil	Without auto switch
-----	---------------------

* Refer to [page 205](#) for applicable auto switches.

Number of auto switches

Nil	2
S	1

Built-in Magnet Cylinder Model

If a built-in magnet cylinder without an auto switch is required, there is no need to enter the symbol for the auto switch.
(Example) 25A-CDUK20-25D

* The 25A- series specifications and dimensions are the same as those of the standard model.

[Click here for details.](#)

Compact Cylinder: Standard Type Double Acting, Single Rod

25A-CQS Series

∅12, ∅16, ∅20, ∅25



How to Order

25A-C **D** **QS** **B** **20** - **30** **D** - **M9BW**

Series compatible with secondary batteries

With auto switch

Nil	Without magnet for switch*1
D	With auto switch (Built-in magnet)

*1 In the case of without magnet for switch, auto switch cannot be mounted.

Mounting

B	Through-hole/Both ends tapped common (Standard)
L	Foot
F	Rod flange
G	Head flange
D	Double clevis

* In the case of long strokes, use either ends tapped mounting or bracket mounting.
* Mounting brackets are shipped together, but not assembled.
* Cylinder mounting bolts are not included.

Bore size

12	12 mm
16	16 mm
20	20 mm
25	25 mm

Number of auto switches

Nil	2
S	1
n	n

Auto switch

Nil	Without auto switch
-----	---------------------

* Refer to page 205 for the applicable auto switch model.

Body option

<Standard stroke>

Nil	Standard
C	With rubber bumper
M	Rod end male thread

* Combination of body options is available.

<Long stroke>

C	With rubber bumper Rod end female thread (Standard)
CM	With rubber bumper Rod end male thread

* Rubber bumper is standard equipment for long stroke type.

Action

D	Double acting
---	---------------

Cylinder stroke [mm]

Bore size	Standard stroke	Long stroke
12, 16	5, 10, 15, 20, 25, 30	35, 40, 45, 50, 75, 100, 125, 150, 175, 200
20	5, 10, 15, 20, 25, 30, 35, 40, 45, 50	75, 100, 125, 150, 175, 200
25		75, 100, 125, 150, 175, 200, 250, 300

Built-in Magnet Cylinder Model

If a built-in magnet cylinder without an auto switch is required, there is no need to enter the symbol for the auto switch.
(Example) 25A-CDQSL25-30D

* The 25A- series specifications and dimensions are the same as those of the standard model.

[Click here for details.](#)

Mounting Bracket Part Nos. for the 25A- Series

Bore size [mm]	Foot*1	Flange	Double clevis
12	25A-CQS-L012	25A-CQS-F012	25-CQS-D012
16	25A-CQS-L016	25A-CQS-F016	25-CQS-D016
20	25A-CQS-L020	25A-CQS-F020	25-CQS-D020
25	25A-CQS-L025	25A-CQS-F025	25-CQS-D025

*1 When ordering foot bracket, order 2 pieces per cylinder.

* Parts belonging to each bracket are as follows.

Foot or Flange type: Body mounting bolt

Double clevis type: Clevis pin, Type C retaining ring for axis, Body mounting bolt.

Compact Cylinder: Standard Type

Double Acting, Double Rod

25A-CQSW Series

∅12, ∅16, ∅20, ∅25



How to Order

25A-C D QSW B 20-30 D - M9BWL

Series compatible with secondary batteries

With auto switch

Nil	Without magnet for switch*1
D	With auto switch (Built-in magnet)

*1 In the case of without magnet for switch, auto switch cannot be mounted.

Mounting

B	Through-hole/Both ends tapped common (Standard)
L	Foot
F	Flange

* Mounting brackets are shipped together, but not assembled.
* Cylinder mounting bolts are not included.

Bore size

12	12 mm
16	16 mm
20	20 mm
25	25 mm

Number of auto switches

Nil	2
S	1
n	n

Auto switch

Nil	Without auto switch
-----	---------------------

* For applicable auto switches, refer to [page 205](#).

Cushion/Rod end thread

Nil	Standard
C	With rubber bumper
M	Rod end male thread

* Combination of body options is available.

Action

D	Double acting
---	---------------

Cylinder stroke [mm]

Bore size	Standard stroke
12, 16	5, 10, 15, 20, 25, 30
20	5, 10, 15, 20, 25,
25	30, 35, 40, 45, 50

Mounting Bracket Part Nos. for the 25A- Series

Bore size [mm]	Foot*1	Flange
12	25A-CQS-L012	25A-CQS-F012
16	25A-CQS-L016	25A-CQS-F016
20	25A-CQS-L020	25A-CQS-F020
25	25A-CQS-L025	25A-CQS-F025

*1 When ordering foot brackets, order 2 pieces per cylinder.
* Body mounting bolts are included for each bracket.

Built-in Magnet Cylinder Model

If a built-in magnet cylinder without an auto switch is required, there is no need to enter the symbol for the auto switch.

(Example) 25A-CDQSWL25-30D

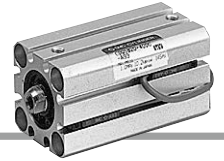
* The 25A- series specifications and dimensions are the same as those of the standard model.

[Click here for details.](#)

Compact Cylinder: Anti-lateral Load Type

25A-CQS□S Series

∅12, ∅16, ∅20, ∅25



How to Order

25A-C D QS B S 20 - 30 DC - M9BW □

Series compatible with secondary batteries

With auto switch

Nil	Without magnet for switch*1
D	With auto switch (Built-in magnet)

*1 In the case of without magnet for switch, auto switch cannot be mounted.

Mounting

B	Through-hole/Both ends tapped common (Standard)
L	Foot
F	Rod flange
G	Head flange
D	Double clevis

* Mounting brackets are shipped together, but not assembled.
* Cylinder mounting bolts are not included.

Cushion

S	Anti-lateral load type
---	------------------------

Bore size

12	12 mm
16	16 mm
20	20 mm
25	25 mm

Cylinder stroke [mm]

Bore size	Standard stroke
12, 16	5, 10, 15, 20, 25, 30
20, 25	5, 10, 15, 20, 25, 30, 35, 40, 45, 50

Number of auto switches

Nil	2
S	1
n	n

Auto switch

Nil	Without auto switch
-----	---------------------

* Refer to page 205 for the applicable auto switch model.

Body option

C	With rubber bumper Rod end female thread (Standard)
CM	With rubber bumper Rod end male thread

Action

D	Double acting
---	---------------

Built-in Magnet Cylinder Model

If a built-in magnet cylinder without an auto switch is required, there is no need to enter the symbol for the auto switch.
(Example) 25A-CDQSLS12-25DC
* With cushion only.

Mounting Bracket Part Nos. for the 25A- Series

Bore size [mm]	Foot*1	Flange	Double clevis
12	25A-CQS-L012	25A-CQS-F012	25-CQS-D012
16	25A-CQS-L016	25A-CQS-F016	25-CQS-D016
20	25A-CQS-L020	25A-CQS-F020	25-CQS-D020
25	25A-CQS-L025	25A-CQS-F025	25-CQS-D025

*1 When ordering foot bracket, order 2 pieces per cylinder.
* Parts belonging to each bracket are as follows.
Foot or Flange type: Body mounting bolt
Double clevis type: Clevis pin, Type C retaining ring for axis, Body mounting bolt

* The 25A- series specifications and dimensions are the same as those of the standard model.

[Click here for details.](#)

Directional Control Valves

Air Cylinders

Related Products

Rotary Actuators

Air Grippers

Vacuum Equipment

Air Preparation Equipment

Clean Air Filters

Modular F.R.L./Pressure Control Equipment

Fittings/Flow Control Equipment

Detection Switches

Fluid Control Equipment

Electric Actuators

Auto Switches

Compact Cylinder: Standard Double Acting, Single Rod

25A-CQ2 Series

ø12, ø16, ø20, ø25, ø32, ø40, ø50, ø63, ø80, ø100



How to Order

25A - C D Q2 B 20 - 30 D Z - M9BW

• Series compatible with secondary batteries

With auto switch

Nil	Without magnet for switch*1
D	With auto switch (Built-in magnet)

*1 In the case of without magnet for switch, auto switch cannot be mounted.

Mounting

B	Through-hole (Standard)
A	Both ends tapped
L	Foot
F	Rod flange
G	Head flange
D	Double clevis

* Mounting brackets are shipped together, but not assembled.
* Cylinder mounting bolts are not included.

Bore size

12	12 mm	40	40 mm
16	16 mm	50	50 mm
20	20 mm	63	63 mm
25	25 mm	80	80 mm
32	32 mm	100	100 mm

Port thread type

Nil	M thread	ø12 to ø25
	Rc	
TN	NPT	ø32 to ø100
TF	G	

• Auto switch

Nil Without auto switch

* Refer to page 205 for the applicable auto switch model.

• Number of auto switches

Nil	2
S	1
n	n

• Auto switch mounting groove

Z	ø12 to ø25	2 surfaces
	ø32 to ø100	4 surfaces

* "Z" is not available for ø12 to ø25 without auto switches.

• Body option

Nil	Standard (Rod end female thread)
C	With rubber bumper
M	Rod end male thread

* Combination of body options is available.

• Action

D Double acting

• Cylinder stroke [mm]

12, 16	5, 10, 15, 20, 25, 30
20, 25	5, 10, 15, 20, 25, 30, 35, 40, 45, 50
32, 40	5, 10, 15, 20, 25, 30, 35, 40, 45, 50, 75, 100
50 to 100	10, 15, 20, 25, 30, 35, 40, 45, 50, 75, 100

* The 25A-series specifications and dimensions are the same as those of the standard model.

[Click here for details.](#)

Built-in Magnet Cylinder Model

If a built-in magnet cylinder without an auto switch is required, there is no need to enter the symbol for the auto switch. (Example) 25A-CDQ2L32-25DZ

Mounting Bracket Part Nos. for the 25A-Series (Without auto switch)

Bore size [mm]	Foot*1	Flange	Double clevis
12	25A-CQ-L012	25A-CQ-F012	25-CQ-D012
16	25A-CQ-L016	25A-CQ-F016	25-CQ-D016
20	25A-CQ-L020	25A-CQ-F020	25-CQ-D020
25	25A-CQ-L025	25A-CQ-F025	25-CQ-D025
32	25A-CQ-L032	25A-CQ-F032	25-CQ-D032
40	25A-CQ-L040	25A-CQ-F040	25-CQ-D040
50	25A-CQ-L050	25A-CQ-F050	25-CQ-D050
63	25A-CQ-L063	25A-CQ-F063	25-CQ-D063
80	25A-CQ-L080	25A-CQ-F080	25-CQ-D080
100	25A-CQ-L100	25A-CQ-F100	25-CQ-D100

*1 When ordering a foot bracket, the required quantity will be different depending on the bore size.

ø12 to ø25:

• Without switch: Order 2 pieces per cylinder.

• With switch: Order 1 piece per cylinder. (Part number for a set of 2 foot brackets)

ø32 to ø100:

• Order 2 pieces per cylinder.

* Parts belonging to each bracket are as follows.

Foot or Flange: Body mounting bolts, Double clevis: Clevis pin, Type C retaining rings for axis, Body mounting bolts

Mounting Bracket Part Nos. for the 25A-Series (With auto switch)

Bore size [mm]	Foot*1	Flange	Double clevis
12	25A-CQ-LZ12	25A-CQ-F012	25-CQ-D012
16	25A-CQ-LZ16	25A-CQ-F016	25-CQ-D016
20	25A-CQ-LZ20	25A-CQ-F020	25-CQ-D020
25	25A-CQ-LZ25	25A-CQ-F025	25-CQ-D025
32	25A-CQ-L032	25A-CQ-F032	25-CQ-D032
40	25A-CQ-L040	25A-CQ-F040	25-CQ-D040
50	25A-CQ-L050	25A-CQ-F050	25-CQ-D050
63	25A-CQ-L063	25A-CQ-F063	25-CQ-D063
80	25A-CQ-L080	25A-CQ-F080	25-CQ-D080
100	25A-CQ-L100	25A-CQ-F100	25-CQ-D100

Simple Joint (Standard) Part Nos.

Bore size [mm]	Joint	Type A mounting bracket	Type B mounting bracket
32, 40	YU-03	YA-03	YB-03
50, 63	YU-05	YA-05	YB-05
80	YU-08	YA-08	YB-08
100	YU-10	YA-10	YB-10

<Ordering>

• Joints are not included with type A or B mounting brackets. Order them separately.

(Example)

Bore size ø40

Part no.

• Type A mounting bracketYA-03

• Joint.....YU-03

Compact Cylinder: Standard Double Acting, Double Rod

25A-CQ2W Series

ø12, ø16, ø20, ø25, ø32, ø40, ø50, ø63, ø80, ø100



How to Order

25A - C D Q2W B 20 - 30 D Z - M9BW

Series compatible with secondary batteries

With auto switch

Nil	Without magnet for switch*1
D	With auto switch (Built-in magnet)

*1 In the case of without magnet for switch, auto switch cannot be mounted.

Mounting

* Mounting brackets are shipped together, but not assembled.
* Cylinder mounting bolts are not included.

B	Through-hole (Standard)
A	Both ends tapped
L	Foot
F	Flange

Bore size

12	12 mm	40	40 mm
16	16 mm	50	50 mm
20	20 mm	63	63 mm
25	25 mm	80	80 mm
32	32 mm	100	100 mm

Mounting Bracket Part Nos. for the 25A- Series (Without auto switch)

Bore size [mm]	Foot*1	Flange
12	25A-CQ-L012	25A-CQ-F012
16	25A-CQ-L016	25A-CQ-F016
20	25A-CQ-L020	25A-CQ-F020
25	25A-CQ-L025	25A-CQ-F025
32	25A-CQ-L032	25A-CQ-F032
40	25A-CQ-L040	25A-CQ-F040
50	25A-CQ-L050	25A-CQ-F050
63	25A-CQ-L063	25A-CQ-F063
80	25A-CQ-L080	25A-CQ-F080
100	25A-CQ-L100	25A-CQ-F100

Mounting Bracket Part Nos. for the 25A- Series (With auto switch)

Bore size [mm]	Foot*1	Flange
12	25A-CQ-LZ12	25A-CQ-F012
16	25A-CQ-LZ16	25A-CQ-F016
20	25A-CQ-LZ20	25A-CQ-F020
25	25A-CQ-LZ25	25A-CQ-F025
32	25A-CQ-L032	25A-CQ-F032
40	25A-CQ-L040	25A-CQ-F040
50	25A-CQ-L050	25A-CQ-F050
63	25A-CQ-L063	25A-CQ-F063
80	25A-CQ-L080	25A-CQ-F080
100	25A-CQ-L100	25A-CQ-F100

*1 When ordering a foot bracket, the required quantity will be different depending on the bore size.

ø12 to ø25:

· Without switch: Order 2 pieces per cylinder.

· With switch: Order 1 piece per cylinder. (Part number for a set of 2 foot brackets)

ø32 to ø100:

· Order 2 pieces per cylinder.

* Body mounting bolts are included for each bracket.

Number of auto switches

Nil	2
S	1
n	n

Auto switch

Nil	Without auto switch
-----	---------------------

* For applicable auto switches, refer to [page 205](#).

Auto switch mounting groove

Z	ø12 to ø25	2 surfaces
	ø32 to ø100	4 surfaces

* "Z" is not available for ø12 to ø25 without auto switches.

Body option

Nil	Standard (Rod end female thread)
C	With rubber bumper
M	Rod end male thread

* Combination of body options is available.

Action

D	Double acting
---	---------------

Cylinder stroke [mm]

12, 16	5, 10, 15, 20, 25, 30
20, 25	5, 10, 15, 20, 25, 30, 35, 40, 45, 50
32, 40	5, 10, 15, 20, 25, 30, 35, 40, 45, 50, 75, 100
50 to 100	10, 15, 20, 25, 30, 35, 40, 45, 50, 75, 100

Port thread type

Nil	M thread	ø12 to ø25
	Rc	
TN	NPT	ø32 to ø100
TF	G	

Built-in Magnet Cylinder Model

If a built-in magnet cylinder without an auto switch is required, there is no need to enter the symbol for the auto switch.

(Example) 25A-CDQ2WL32-25DZ

* The 25A- series specifications and dimensions are the same as those of the standard model.

[Click here for details.](#)

Simple Joint (Standard)/Part Nos.

Bore size [mm]	Joint	Type A mounting bracket	Type B mounting bracket
32, 40	YU-03	YA-03	YB-03
50, 63	YU-05	YA-05	YB-05
80	YU-08	YA-08	YB-08
100	YU-10	YA-10	YB-10

<Ordering>

Joints are not included with type A or B mounting brackets. Order them separately.

(Example)

Bore size ø40

Part no.

Type A mounting bracket **YA-03**

Joint **YU-03**

Compact Cylinder: Large Bore Size Double Acting, Single Rod

25A-CQ2 Series

∅125, ∅140, ∅160, ∅180, ∅200



How to Order

25A-C D Q2B 125 - 30 DC Z - M9BW

- Series compatible with secondary batteries**
- With auto switch**

Nil	Without magnet for switch*1
D	With auto switch (Built-in magnet)

*1 In the case of without magnet for switch, auto switch cannot be mounted.
- Mounting**

B	Through-hole/ Both ends tapped common (Standard)
---	---

* Cylinder mounting bolts are not included.
- Bore size**

125	125 mm
140	140 mm
160	160 mm
180	180 mm
200	200 mm
- Port thread type**

Nil	Rc
TN	NPT
TF	G
- Number of auto switches**

Nil	2
S	1
n	n
- Auto switch**

Nil	Without auto switch
-----	---------------------

* Refer to [page 205](#) for the applicable auto switch model.
- Auto switch mounting groove**

Z	∅125 to ∅200	4 surfaces
---	--------------	------------
- Body option**

Nil	Standard (Rod end female thread)
M	Rod end male thread
- Cushion**

C	Rubber bumper
---	---------------
- Action**

D	Double acting
---	---------------
- Cylinder stroke [mm]**

Bore size	Standard stroke
125, 140, 160	10, 20, 30, 40, 50, 75, 100, 125,
180, 200	150, 175, 200, 250, 300

Built-in Magnet Cylinder Model

If a built-in magnet cylinder without an auto switch is required, there is no need to enter the symbol for the auto switch.

(Example) 25A-CDQ2B140-30DCZ

* The 25A- series specifications and dimensions are the same as those of the standard model.

[Click here for details.](#)

Compact Cylinder: Long Stroke Double Acting, Single Rod

25A-CQ2 Series

∅32, ∅40, ∅50, ∅63, ∅80, ∅100



How to Order

25A - C D Q2 A 32 - 200 DC Z - M9BW

Series compatible with secondary batteries

With auto switch

Nil	Without magnet for switch*1
D	With auto switch (Built-in magnet)

*1 In the case of without magnet for switch, auto switch cannot be mounted.

Mounting

A	Both ends tapped
L	Foot
F	Rod flange
G	Head flange
D	Double clevis

* Mounting brackets are shipped together, but not assembled.

Bore size

32	32 mm
40	40 mm
50	50 mm
63	63 mm
80	80 mm
100	100 mm

Port thread type

Nil	Rc
TN	NPT
TF	G

Built-in Magnet Cylinder Model

If a built-in magnet cylinder without an auto switch is required, there is no need to enter the symbol for the auto switch.
(Example) 25A-CDQ2L40-200DCZ

Simple Joint (Standard)/Part Nos.

Bore size [mm]	Joint	Type A mounting bracket	Type B mounting bracket
32, 40	YU-03	YA-03	YB-03
50, 63	YU-05	YA-05	YB-05
80	YU-08	YA-08	YB-08
100	YU-10	YA-10	YB-10

<Ordering>

• Joints are not included with type A or B mounting brackets. Order them separately.

(Example)

Bore size ∅40 Part no.

• Type A mounting bracket.....YA-03

• Joint.....YU-03

Mounting Bracket Part Nos. for the 25A- Series

Bore size [mm]	Foot*1	Flange	Double clevis
32	25A-CQ-L032	25A-CQ-F032	25-CQ-D032
40	25A-CQ-L040	25A-CQ-F040	25-CQ-D040
50	25A-CQ-L050	25A-CQ-F050	25-CQ-D050
63	25A-CQ-L063	25A-CQ-F063	25-CQ-D063
80	25A-CQ-L080	25A-CQ-F080	25-CQ-D080
100	25A-CQ-L100	25A-CQ-F100	25-CQ-D100

*1 Order 2 pieces per cylinder.

* Parts belonging to each bracket are as follows.

Foot or Flange: Body mounting bolts, Double clevis: Clevis pin, Type C retaining rings for axis, Body mounting bolts

Number of auto switches

Nil	2
S	1
n	n

Auto switch

Nil	Without auto switch
-----	---------------------

* Refer to page 205 for the applicable auto switch model.

Auto switch mounting groove

Z	4 surfaces
---	------------

Body option

Nil	Standard (Rod end female thread)
M	Rod end male thread

Cushion

C	Rubber bumper
---	---------------

Action

D	Double acting
---	---------------

Cylinder stroke [mm]

Bore size	Standard stroke
32, 40, 50 63, 80, 100	125, 150, 175, 200, 250, 300

* The 25A- series specifications and dimensions are the same as those of the standard model.

[Click here for details.](#)

Directional Control Valves

Air Cylinders

Related Products

Rotary Actuators

Air Grippers

Vacuum Equipment

Air Preparation Equipment

Clean Air Filters

Modular F.R.L./Pressure Control Equipment

Fittings/Flow Control Equipment

Detection Switches

Fluid Control Equipment

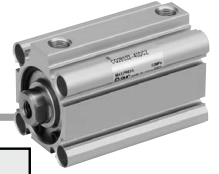
Electric Actuators

Auto Switches

Compact Cylinder: Anti-lateral Load

25A-CQ2□S Series

∅32, ∅40, ∅50, ∅63, ∅80, ∅100



How to Order

25A-C□D□Q2□B□S□32□□-30□DC□□Z-M9BW□□

- Series compatible with secondary batteries**
- With auto switch**

Nil	Without magnet for switch*1
D	With auto switch (Built-in magnet)

*1 In the case of without magnet for switch, auto switch cannot be mounted.
- Mounting**

B	Through-hole (Standard)
A	Both ends tapped
L	Foot
F	Rod flange
G	Head flange
D	Double clevis

* Mounting brackets are shipped together, but not assembled.
* Cylinder mounting bolts are not included.
- Type**

S	Anti-lateral load
---	-------------------
- Bore size**

32	32 mm
40	40 mm
50	50 mm
63	63 mm
80	80 mm
100	100 mm
- Port thread type**

Nil	Rc
TN	NPT
TF	G
- Number of auto switches**

Nil	2
S	1
n	n
- Auto switch**

Nil	Without auto switch
-----	---------------------

* Refer to [page 205](#) for the applicable auto switch model.
- Auto switch mounting groove**

Z	4 surfaces
---	------------
- Body option**

Nil	Standard (Rod end female thread)
M	Rod end male thread
- Cushion**

C	Rubber bumper
---	---------------
- Action**

D	Double acting
---	---------------
- Cylinder stroke [mm]**

Bore size	Standard stroke
32, 40	5, 10, 15, 20, 25, 30, 35, 40, 45, 50, 75, 100
50, 63, 80, 100	10, 15, 20, 25, 30, 35, 40, 45, 50, 75, 100

Built-in Magnet Cylinder Model

If a built-in magnet cylinder without an auto switch is required, there is no need to enter the symbol for the auto switch.

(Example) 25A-CDQ2LS40-30DCZ

* The 25A- series specifications and dimensions are the same as those of the standard model.

[Click here for details.](#)

Mounting Bracket Part Nos. for the 25A- Series

Bore size [mm]	Foot*1	Flange	Double clevis
32	25A-CQ-L032	25A-CQ-F032	25-CQ-D032
40	25A-CQ-L040	25A-CQ-F040	25-CQ-D040
50	25A-CQ-L050	25A-CQ-F050	25-CQ-D050
63	25A-CQ-L063	25A-CQ-F063	25-CQ-D063
80	25A-CQ-L080	25A-CQ-F080	25-CQ-D080
100	25A-CQ-L100	25A-CQ-F100	25-CQ-D100

*1 Order 2 pieces per cylinder.

* Parts belonging to each bracket are as follows.

Foot or Flange: Body mounting bolts, Double clevis: Clevis pin, Type C retaining rings for axis, Body mounting bolts

Compact Cylinder: With End Lock

25A-CBQ2 Series

∅20, ∅25, ∅32, ∅40, ∅50, ∅63, ∅80, ∅100

How to Order



Without auto switch

25A - CBQ2 B 40 [] - 30 DC [] - H N

With auto switch

25A - CDBQ2 B 40 [] - 30 DC [] - H N - M9BW []

Series compatible with secondary batteries

With auto switch (Built-in magnet)

Mounting

∅20, ∅25

∅32 to ∅100

∅20, ∅25		∅32 to ∅100	
B	Through-hole/Both ends tapped common (Standard)	B	Through-hole (Standard)*1
L	Foot	A	Both ends tapped
F	Rod flange	L	Foot
G	Head flange	F	Rod flange
D	Double clevis	G	Head flange
		D	Double clevis

*1 At the 75 and 100 mm strokes with ∅80, ∅100, both ends tapped (A) is the standard. Through-hole (B) is not available.
* Mounting brackets are shipped together, but not assembled.

Bore size

20	25	32	40	50	63	80	100
20 mm	25 mm	32 mm	40 mm	50 mm	63 mm	80 mm	100 mm

Port thread type

Nil	M thread	∅20, ∅25
	Rc	
TN	NPT	∅32 to ∅100
TF	G	

Cylinder stroke [mm]

Bore size	Standard stroke
20, 25, 32, 40, 50, 63	10, 15, 20, 25, 50, 75, 100
80, 100	25, 50, 75, 100

Built-in Magnet Cylinder Model

If a built-in magnet cylinder without an auto switch is required, there is no need to enter the symbol for the auto switch.
(Example) 25A-CDBQ2L32-30DC-RN

Mounting Bracket Part Nos. for the 25A- Series

Bore size [mm]	Foot*1	Flange	Double clevis
20	25A-CQS-L020	25A-CQS-F020	25-CQS-D020
25	25A-CQS-L025	25A-CQS-F025	25-CQS-D025
32	25A-CQ-L032	25A-CQ-F032	25-CQ-D032
40	25A-CQ-L040	25A-CQ-F040	25-CQ-D040
50	25A-CQ-L050	25A-CQ-F050	25-CQ-D050
63	25A-CQ-L063	25A-CQ-F063	25-CQ-D063
80	25A-CQ-L080	25A-CQ-F080	25-CQ-D080
100	25A-CQ-L100	25A-CQ-F100	25-CQ-D100

*1 Order 2 pieces per cylinder.

* Parts belonging to each bracket are as follows: Foot or Flange: Body mounting bolts, Double clevis: Clevis pin, Type C retaining rings for axis, Body mounting bolts

Manual release type

N	Non-lock type
---	---------------

Lock position

H	Head end lock
R	Rod end lock

Body option

Nil	Rod end female thread
M	Rod end male thread

Cushion

C	Rubber bumper
---	---------------

Action

D	Double acting
---	---------------

Auto switch

Nil	Without auto switch
-----	---------------------

* For applicable auto switches, refer to page 205.

Number of auto switches

Nil	2
S	1
n	n

* The 25A- series specifications and dimensions are the same as those of the standard model.

[Click here for details.](#)

Directional Control Valves

Air Cylinders

Related Products

Rotary Actuators

Air Grippers

Vacuum Equipment

Air Preparation Equipment

Clean Air Filters

Modular F.R.L./Pressure Control Equipment

Fittings/Flow Control Equipment

Detection Switches

Fluid Control Equipment

Electric Actuators

Auto Switches