

⚠ Contact our sales office regarding a delivery date or a price since this is a special model.

SP094X-014J
P: NZ

SMC P.G.Information (Specialized product)

Special Temperature Environment (−40°C) Specifications Pneumatic Positioner / IP5000 – DIN00015 IP5100 – DIL00505

SMC CORPORATION
4-14-1, SOTO-KANDA, CHIYODA-KU,
TOKYO 101-0021, JAPAN
URL: <http://www.smcworld.com>

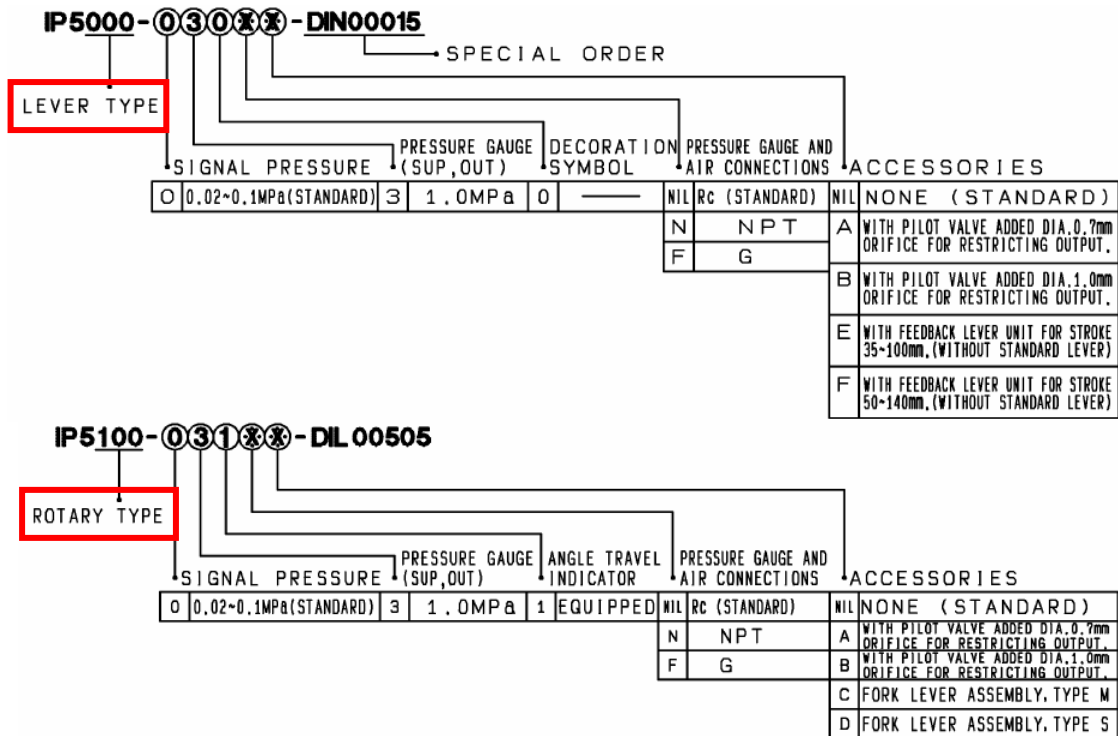
■ Feature: Special materials are used in the packing of seals to withstand various temperature conditions in cold climates.

Model	Ambient & Fluid Temp.
IP5000 – DIN00015	−40°C ~ 80°C
IP5100 – DIL00505	(No Freezing)



IP5000 Lever Type

How to Order:



Specifications:

Ambient & Fluid Temp. : −40°C ~ 80°C

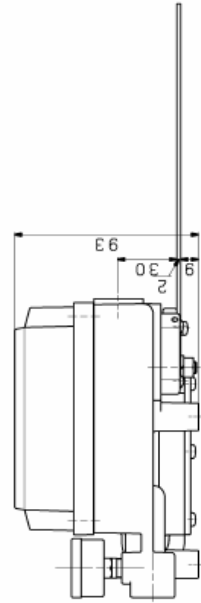
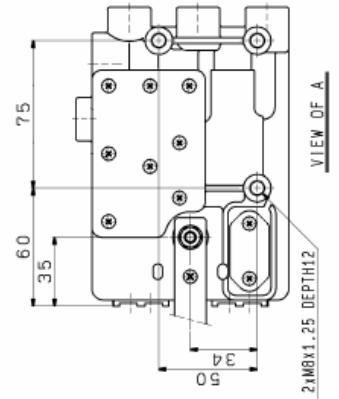
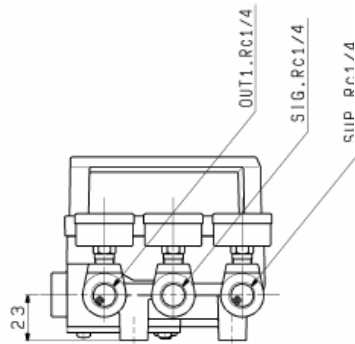
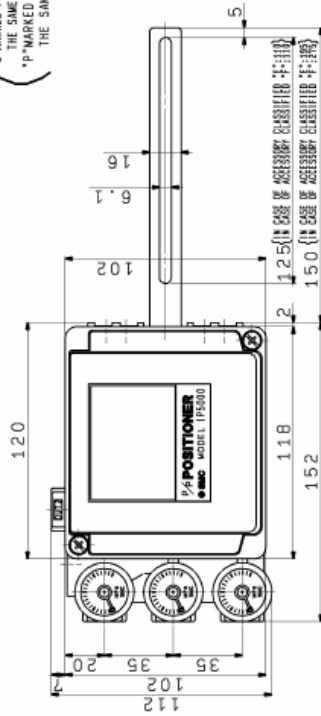
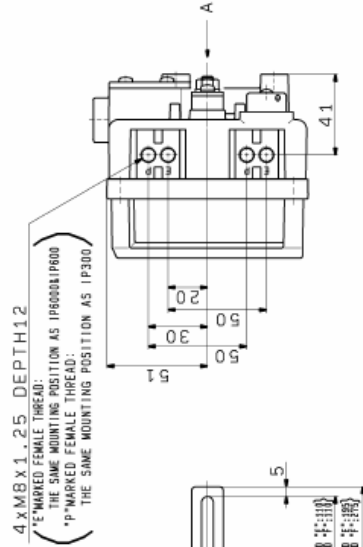
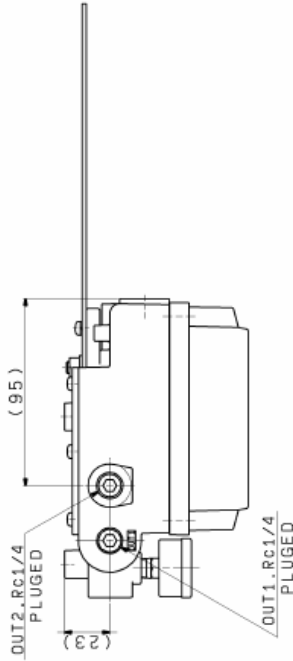
Note: The linearity, hysteresis, and the sensitivity of the **lever type** are different from the specification of standard products. Please confirm the specification column in the drawing in detail.

■ Dimensions: mm

◇ IP5000-DIN00015

- SIGNAL PRESSURE 0.02~0.1MPa(STANDARD)
- SUPPLY PRESSURE 0.14~0.7MPa
- STANDARD STROKE 10~85mm(ALLOWABLE SWING ANGLE 10°~30°)
- ★ SENSITIVITY WITHIN 0.5% OF FULL SPAN
- ★ LINEARITY WITHIN ±2% OF FULL SPAN
- ★ HYSTERESIS WITHIN 1% OF FULL SPAN
- REPEATABILITY WITHIN ±0.5% OF FULL SPAN
- TEMPERATURE COEFFICIENT WITHIN 0.2% F.S./°C
- OUTPUT FLOW 80l/min(ANR)OR MORE(AT SUP=0.14MPa)
- AIR CONSUMPTION WITHIN 5l/min(ANR) (AT SUP=0.14MPa)
- AMBIENT AND FLUID TEMPERATURE -40°C~80°C (NO FREEZING)
- ★ AIR CONNECTIONS Rc1/4 (FEMALE)(STANDARD)
- MASS APPROX. 1.4kg

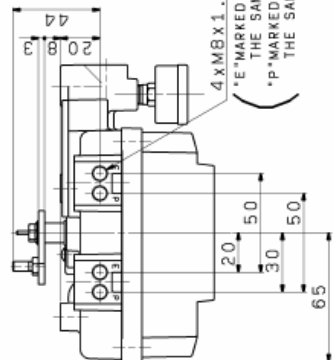
Note: Part ★ is different from the specification of standard product.



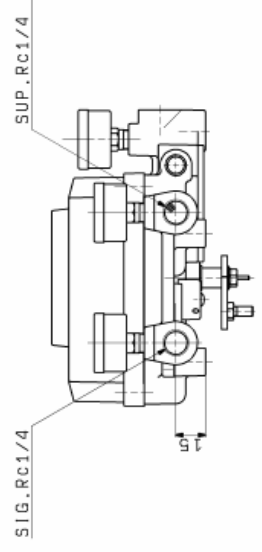
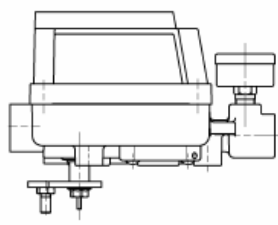
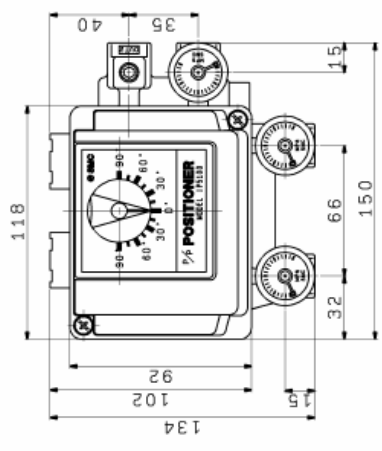
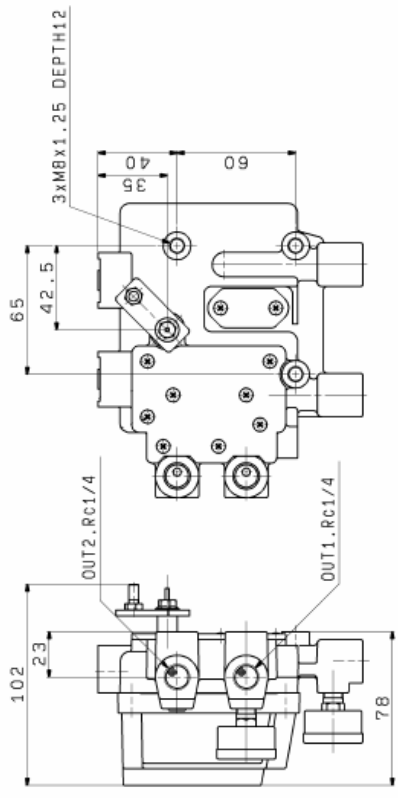
◇ IP5100-DIL00505

SIGNAL PRESSURE 0.02~0.1MPa(STANDARD)
 SUPPLY PRESSURE 0.14~0.7MPa
 STANDARD STROKE 60 * ~ 100 *
 (THE STROKE IS ADJUSTABLE)
 SENSITIVITY WITHIN 0.5% OF FULL SPAN
 LINEARITY WITHIN ±2% OF FULL SPAN
 HYSTERESIS WITHIN 1% OF FULL SPAN
 REPEATABILITY WITHIN ±0.5% OF FULL SPAN
 TEMPERATURE COEFFICIENT WITHIN 0.1% F.S./°C
 OUTPUT FLOW 200l/min(ANR)OR MORE(AT SUP=0.4MPa)
 AIR CONSUMPTION WITHIN 11l/min(ANR) (AT SUP=0.4MPa)
 AMBIENT AND FLUID TEMPERATURE -40°C~80°C(STANDARD)
 AIR CONNECTIONS R_g1/4 (FEMALE)(STANDARD)
 MASS APPROX. 1.2kg

Note: Part ★ is different from the specification of standard product.



4xM8x1.25 DEPTH10
 (*E*-MARKED FEMALE THREAD:
 THE SAME MOUNTING POSITION AS IP6100&IP610)
 (*P*-MARKED FEMALE THREAD:
 THE SAME MOUNTING POSITION AS IP310)



⚠ Caution To ensure the safest possible operation of this product, please be sure to read thoroughly the "Safety Instructions" in our "Best Pneumatics" catalog before use.