

Aluminum Clean Regulator with Rc1/8 to 1/2

SRH31**-01, 02*-X234
SRH41**-02 ~ 04-X234*

SMC CORPORATION
1-16-4 Shimbashi, Minato-ku
Tokyo 105-0004, JAPAN
URL: <http://www.smcworld.com>

Feature 1: Aluminum Regulator with Rc 1/8 to 1/2

Body material : Aluminum alloy

Feature 2: Non-Grease Specifications

Use no grease for components. And all wetted parts are degreased.

Feature 3: Washed, assembled and inspected in a Consistent clean room(Class100) environment, and sealed in double bags

Feature 4: FKM is used for the valve (sealing parts), O-ring, and Diaphragm.



Aluminum alloy (Body)

Specifications

Model	SRH31**-01,02*-X234	SRH41**-02, 03, 04*-X234
Port size	Rc 1/8,1/4	Rc 1/4,3/8,1/2
Relief mechanism	Non-relief, Relief	
Fluid	Air, N ₂	
Proof pressure	1.5MPa	
Max.operating pressure	1.0MPa	
Set pressure rengo	0.01to 0.2MPa 0.05to 0.7MPa	
Ambient and fluid temperature	0 to 60°C(With no condensation)	
Body material	Aluminum alloy	
Diaphragm material	FKM	
Valve material	SUS316,FKM(sealing parts)	
Oil free	Parts assembled any use of Oils	
Cleanliness	Washed, assembled and inspected in a Class100 environment, and sealed in double bags	

How to Order

SRH31 [X] [X] - [X][X] [X][X] -X234

Symbol	Gauge port orientation
Nil	List1 fig.B
-R	List1 fig.C

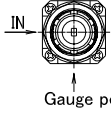
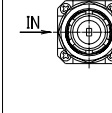
* There is only gauge port.

Symbol	Port size
01	Rc1/8
02	Rc1/4

Symbol	Relief mechanism
0	Non relief
1	Relief

Symbol	Set pressure
0	0.01 to 0.2MPa
1	0.05 to 0.7MPa

List1 Gauge port orientation

Model	SRH31[X][X]-01.02-X234	SRH31[X][X]-01.02-R-X234
	Fig.B	Fig.C
Appearance		

SRH41 [X] [X] - [X][X] [X][X] -X234

Symbol	Gauge port orientation
Nil	List1 fig.B
-R	List1 fig.C

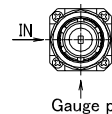
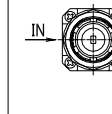
* There is only gauge port.

Symbol	Port size
02	Rc1/4
03	Rc3/8
04	Rc1/2

Symbol	Relief mechanism
0	Non relief
1	Relief

Symbol	Set pressure
0	0.01 to 0.2MPa
1	0.05 to 0.7MPa

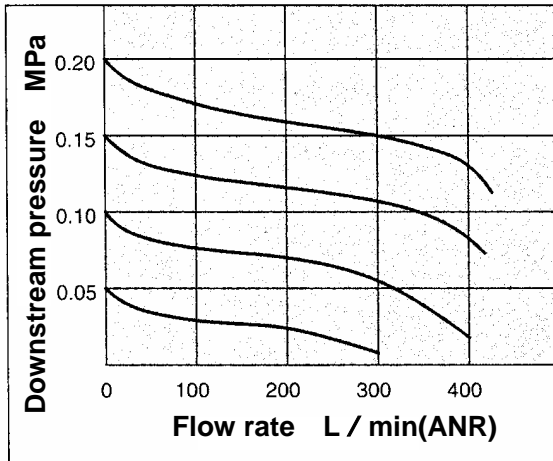
List1 Gauge port orientation

Model	SRH41[X][X]-02.03.04-X234	SRH41[X][X]-02.03.04-R-X234
	Fig.B	Fig.C
Appearance		

Flow Characteristics

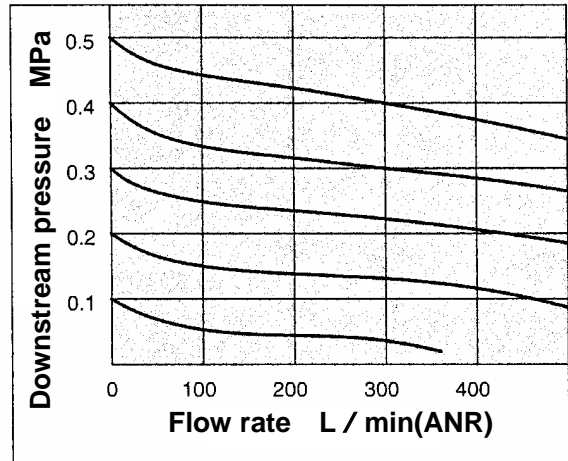
SRH310*-02-X234

Conditions / Supply pressure:0.5MPa



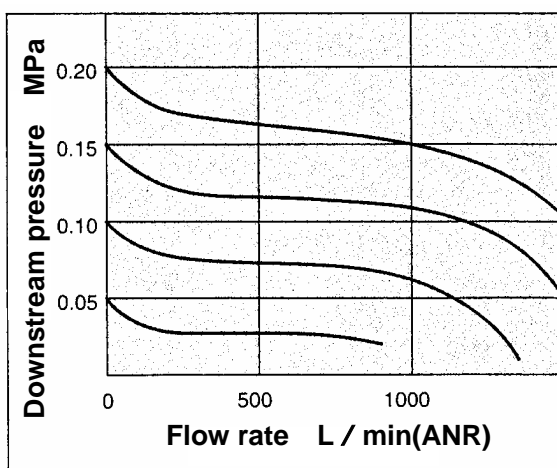
SRH311*-02-X234

Conditions / Supply pressure:0.7MPa



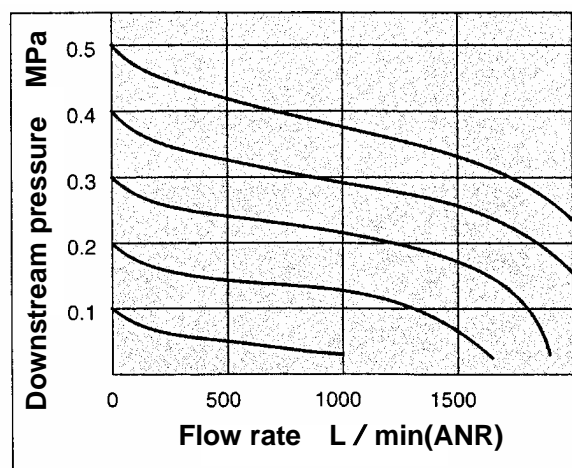
SRH410*-03-X234

Conditions / Supply pressure:0.5MPa



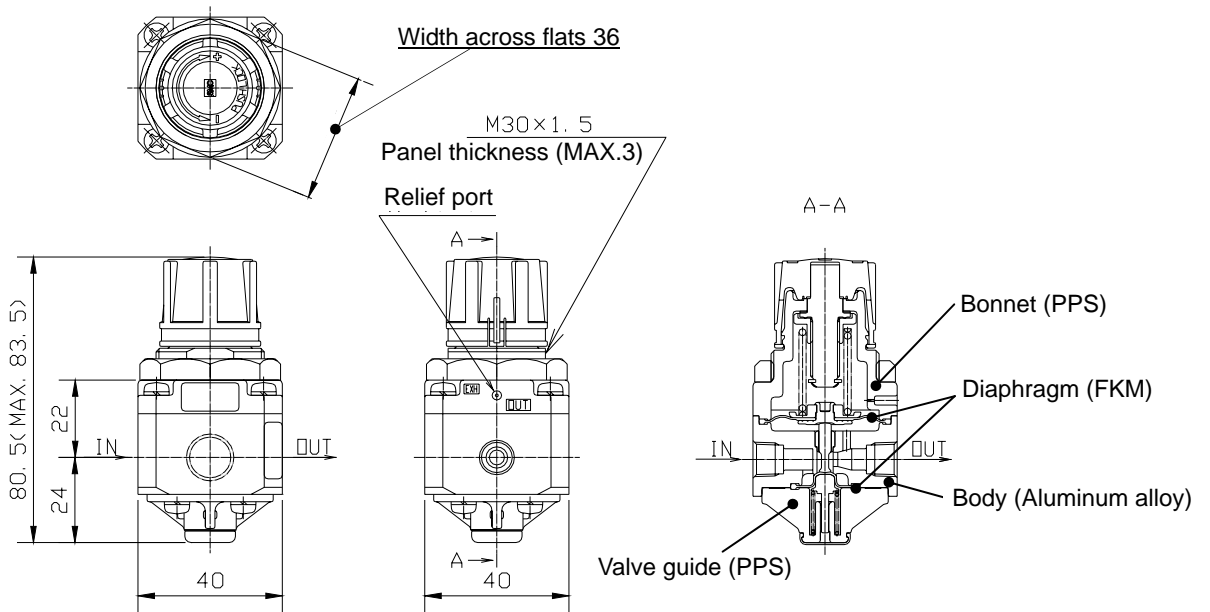
SRH411*-03-X234

Conditions / Supply pressure:0.7MPa

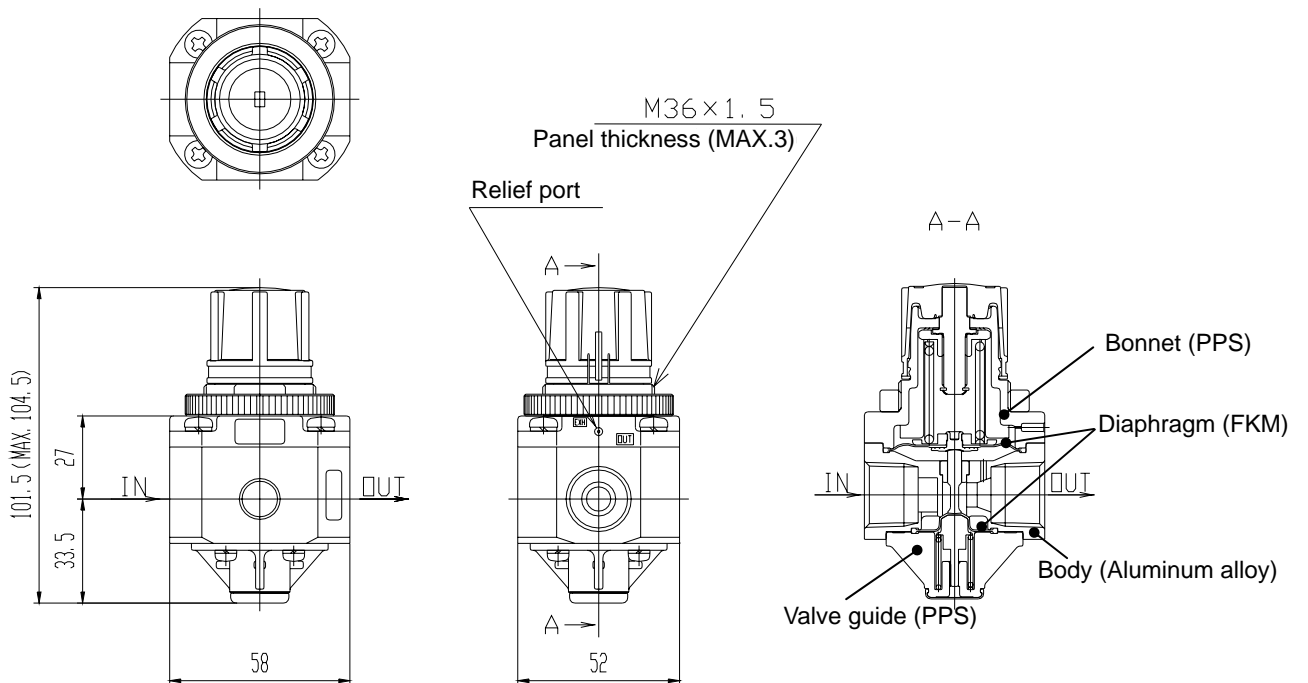


Dimensions: mm

SRH31**-01,02*-X234



SRH41**-02 ~ 04*-X234



⚠ Caution: To ensure the safest possible operation of this product, please be sure to read thoroughly the "Safety Instructions" in our "Best Pneumatics" general catalog before use.