

Stainless steel specification

Standard Speed Controller (In-line Style)

INA-14-82, 179, 211, 196, 145

Feature : Metal parts are stainless steel

Ideal for applications involving corrosive environments where rusting could be a problem or CRT lines where copper ions should not be introduced etc.



Comparison with standard products

Metal parts are stainless steel compared to brass. Although the appearance is different, the operating specifications are the same as the standard products.

Specifications

Fluid	Air
Note1) Proof pressure	1.5MPa (1.05MPa)
Note1) Max. operating pressure	1MPa (0.7MPa)
Min. operating pressure	0.05MPa (0.1MPa)
Ambient and fluid temperature	-5~60°C (No freezing)
Note1) Needle rotation cycles	8 tums (10tums)

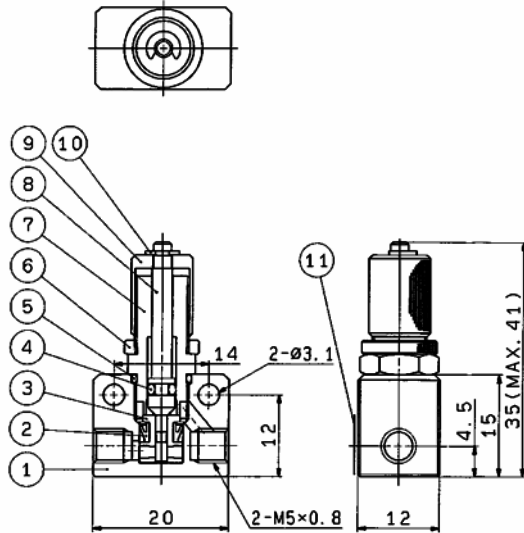
Note1) In case of INA-14-82.

Series

Model (No. of products equivalent to standards)	Port size	Controlled flow (Free flow)		Applicable Cylinder bore size mm
		Air flow L/min (ANR)	Effective area mm ²	
INA-14-82 (AS1000-M5)	M 5	80	1.2	6, 10, 16, 20, 25
INA-14-179 (AS2000-01)	Rc1/8	250	3.8	20, 25, 32, 40
INA-14-211 (AS2000-02)	Rc1/4			
INA-14-196-02 (AS3000-02)	Rc1/4	810	12.3	32, 40, 50, 63
INA-14-196-03 (AS3000-03)	Rc3/8			
INA-14-196-04 (AS3000-04)	Rc1/2			
INA-14-145-02 (AS4000-02)	Rc1/4	1,670	25.5	40, 50, 63, 80, 100
INA-14-145-03 (AS4000-03)	Rc3/8			
INA-14-145-04 (AS4000-04)	Rc1/2			
INA-14-145-N02 (AS4000-N02)	NPT1/4			
INA-14-145-N03 (AS4000-N03)	NPT3/8			
INA-14-145-N04 (AS4000-N04)	NPT1/2			

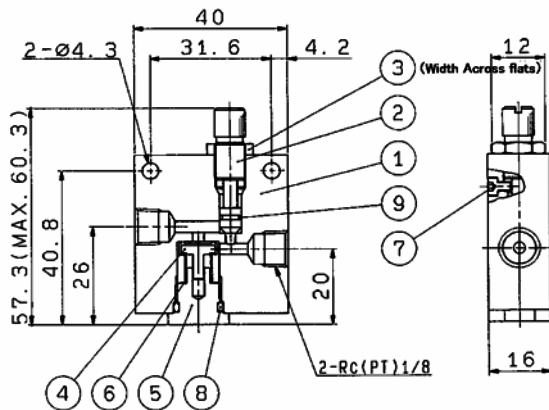
Construction Dimensions: mm

INA-14-82



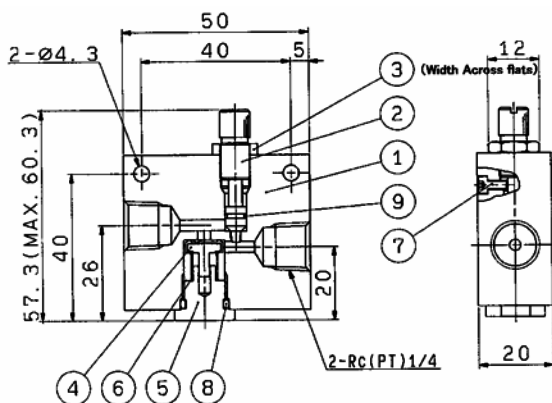
N0.	Description	Material
①	Body	SUS304
②	U-packing	HNBR
③	Valve seat	SUS303
④	O-ring	NBR
⑤	O-ring	NBR
⑥	Lock nut	SUS303
⑦	Needle guide	SUS303
⑧	Needle	SUS303
⑨	Handle	SUS303
⑩	E type snap ring	SUS303
⑪	Label	PET

INA-14-179



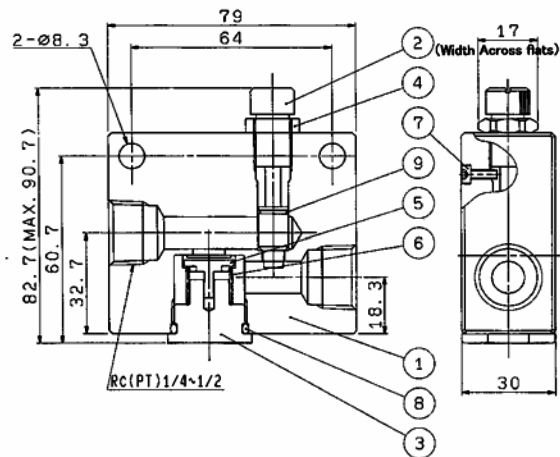
N0.	Description	Material
①	Body	SUS304
②	Needle	SUS303
③	Lock nut	SUS303
④	Valve	FPM+SUS303
⑤	Valve guide	SUS303
⑥	Valve spring	SUS304-WPB
⑦	Hexagon socket head cap screws	SUS304
⑧	O-ring	FPM
⑨	O-ring	FPM

INA-14-211



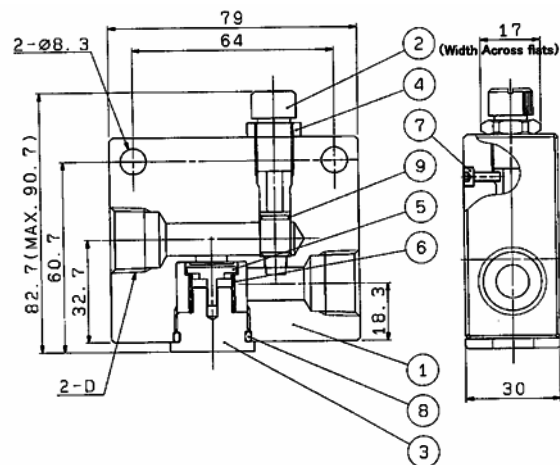
N0.	Description	Material
①	Body	SUS303
②	Needle	SUS303
③	Lock nut	SUS303
④	Valve	FPM+SUS303
⑤	Valve guide	SUS303
⑥	Valve spring	SUS304-WPB
⑦	Hexagon socket head cap screws	SUS304
⑧	O-ring	FPM
⑨	O-ring	FPM

INA-14-196-02~04



NO.	Description	Material
①	Body	SUS303
②	Needle	SUS303
③	Valve guide	SUS303
④	Lock nut	FPM+SUS303
⑤	Valve	SUS303
⑥	Valve spring	SUS304-WPB
⑦	Hexagon socket head cap screws	SUS304
⑧	O-ring	FPM
⑨	O-ring	FPM

INA-14-145-(N)02~04



NO.	Description	Material
①	Body	SUS303
②	Needle	SUS303
③	Valve guide	SUS303
④	Lock nut	FPM+SUS303
⑤	Valve	SUS303
⑥	Valve spring	SUS304-WPB
⑦	Hexagon socket head cap screws	SUS304
⑧	O-ring	FPM
⑨	O-ring	FPM



Caution: To ensure the safest possible operation of this product, please be sure to read thoroughly the "Safety Instructions" in our "Best Pneumatics" general catalog before use.