

Pressure center

Hand Valve

VH3_0-02~03-X215

SMC CORPORATION
1-16-4 Shimbashi, Minato-ku
Tokyo 105-8659, JAPAN
URL: <http://www.smcworld.com>

Application: For a circuit having a cylinder requiring ressurization at both ends such as a cylinder with a lock.

Feature1: Same dimensions as Hand Valve VH300 series



Specifications

Fluid	Air
Proof pressure	1.5MPa
Maximum operating pressure	1MPa
Ambient temperature and operating fluid temperature	-5 to 60 (No freezing)

Type of actuation	3position pressure center
Mounting method	Body mounted/panel mounting
Piping	Side piping
Port size	Rc1/4
Effective area (mm ²)	7.5

How to Order

V H 3 0 - - X 2 1 5

Piping / Mounting

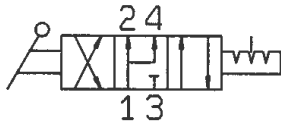
	Piping	Mounting method
0	side	Body
1	side	Panel mounting

Port size

02	Rc1/4
03	Rc3/8

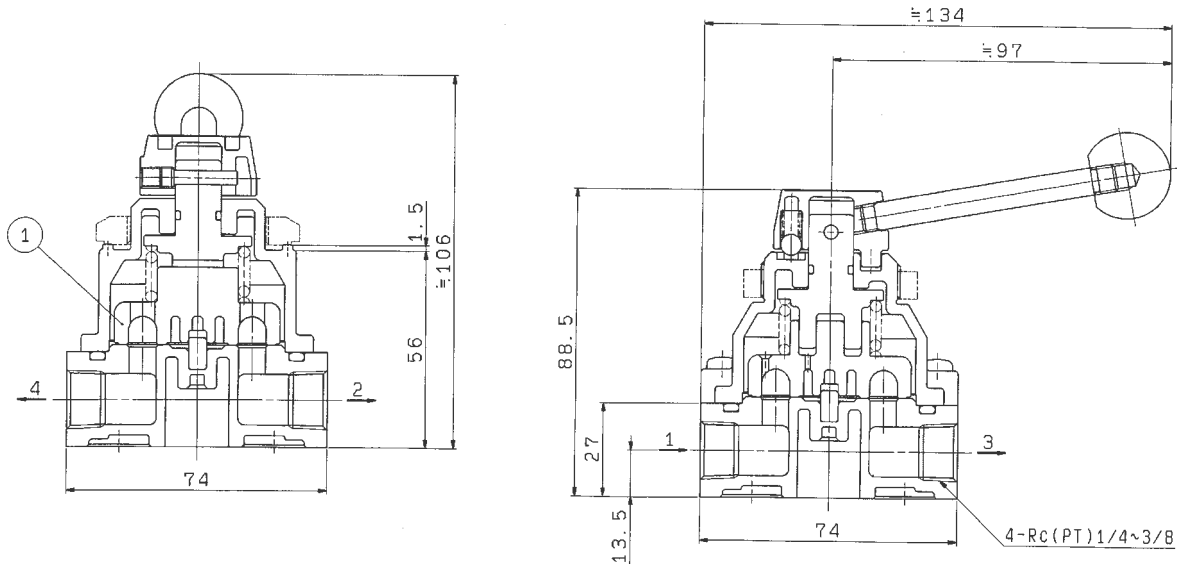
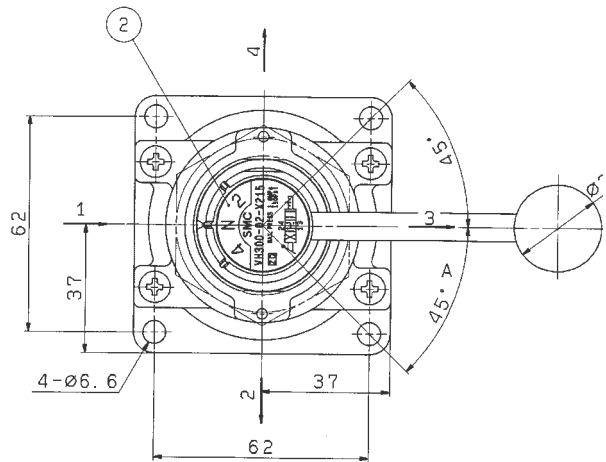
Construction and Dimensions: mm

JIS Symbol



Parts different from standard.

No	Description
1	Slide ring
2	Level



Caution : To ensure the safest possible operation of this product, please be sure to read thoroughly the "Safety instructions" in our "Best Pneumatics" general catalog before use.