

Electro-Pneumatic Regulator

With alarm output (Outlet pressure)

SMC CORPORATION
1-16-4 Shimbashi, Minato-ku
Tokyo 105-0004, JAPAN
URL: <http://www.smcworld.com>

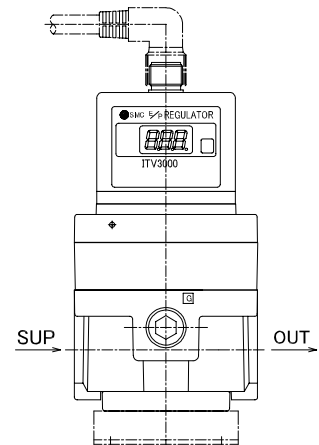
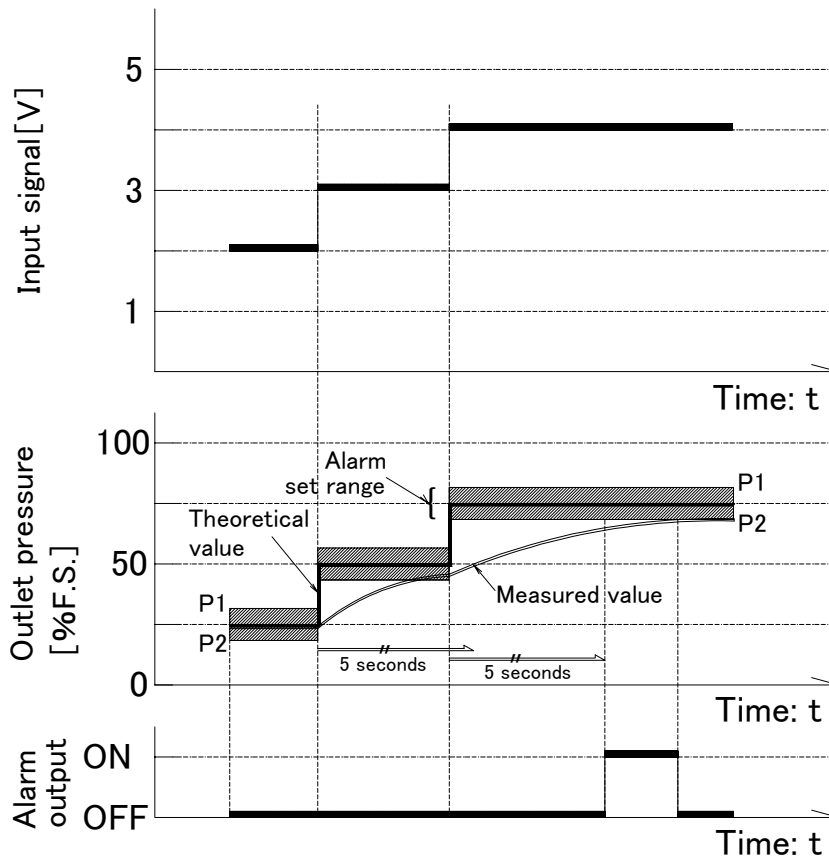
ITV30**-X53

Feature 1: With alarm output

Alarm signal is outputted when outlet pressure does not reach the set pressure (*1) for 5 continuous seconds or more for arbitrary input signal.

Alarm signal is automatically released when outlet pressure reaches the setting pressure range (*1).

*1) Alarm set range can be changed arbitrarily by setting P1 (Upper limit setting) and P2 (Lower limit setting) of electro-pneumatic regulator.



Difference from standard product:

- Refer to Feature 1 above (With alarm output)

Supplement: This product does not have any output signal function (such as analog output in proportion to detected pressure value and switching output when reaching the set value) like the standard electro-pneumatic regulator (Series ITV).

Other specifications are the same as the standard electro-pneumatic regulator.

Specifications

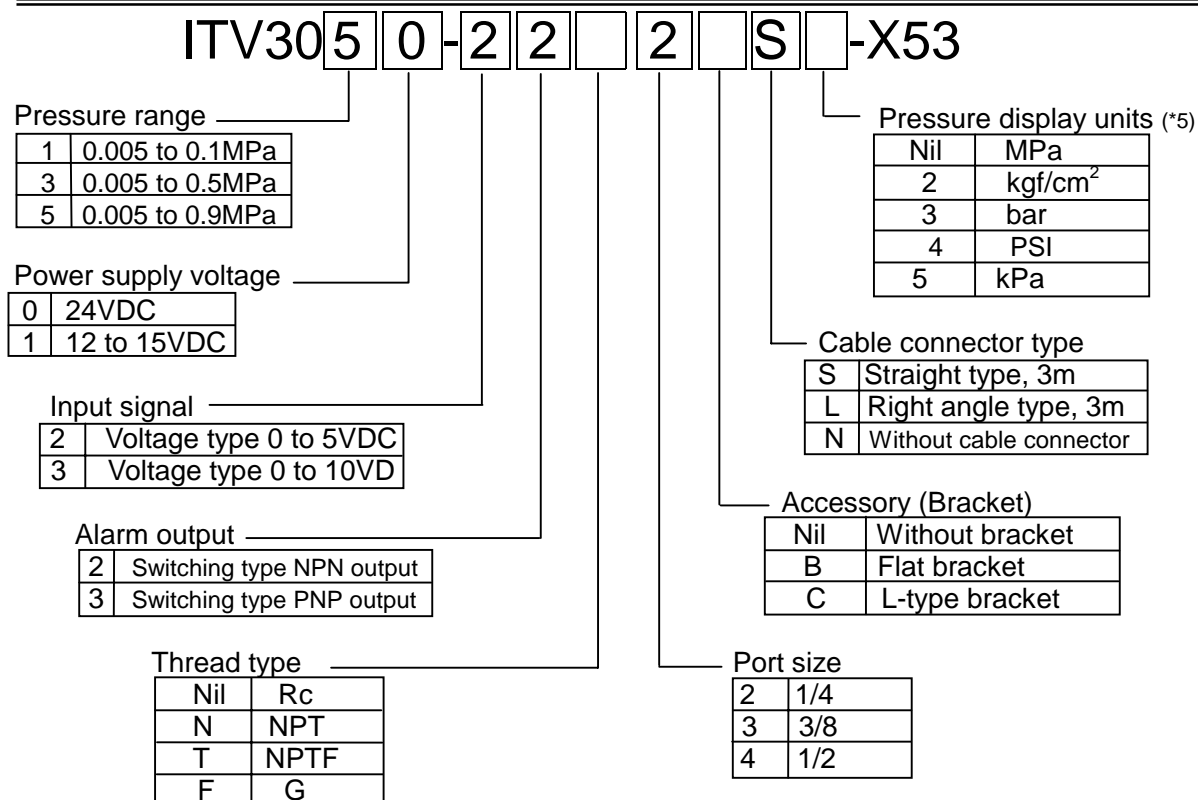
Model	ITV301*-X53	ITV303*-X53	ITV305*-X53
Minimum supply pressure	Set pressure +0.1MPa		
Maximum supply pressure	0.2MPa	1.0MPa	
Setting pressure range	0.005 to 0.1MPa	0.005 to 0.5MPa	0.005 to 0.9MPa
Power supply voltage	0: 24VDC±10%, 1: 12 to 15VDC		
Current consumption	Power supply voltage 24VDC type: 120mA or less (At static output pressure)		
	Power supply voltage 12 to 15VDC type: 180mA or less (At static output pressure)		
Input signal	2: 0 to 5VDC, 3: 0 to 10VDC		
Input impedance	Approx. 6.5kΩ		
Alarm output (*2)	2: NPN open collector output Max. 30V, 30mA		
	3: PNP open collector output Max. 30mA		
Linearity	±1%F.S.or less		
Hysteresis	0.5%F.S.or less		
Repeatability	±0.5%F.S.or less		
Sensitivity	0.2%F.S.or less		
Temperature characteristics	Within ±0.12%F.S./°C		
Output accuracy	±3%F.S.		
pressure display	Minimum unit MPa: 0.01, kgf/cm ² : 0.01, bar: 0.01, PSI: 0.1(*3), kPa: 1		
Ambient and fluid temperature	0 to 50°C (With no condensation)		
Enclosure	IP65		
Weight	Approx. 620g (Without accessory)		

*2) Alarm signal is outputted when outlet pressure does not reach the set pressure for 5 continuous seconds or more for input signal.

3) For ITV305 (Set pressure: 0.9 MPa), the minimum unit is 1 PSI.

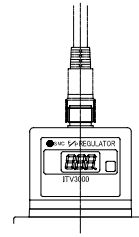
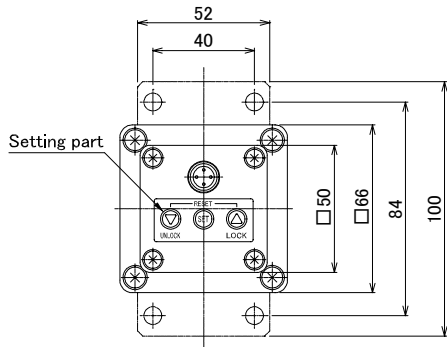
*4) Since the characteristics (specifications) above are limited to static conditions, pressure may fluctuate when air is consumed on the outlet side.

How to Order

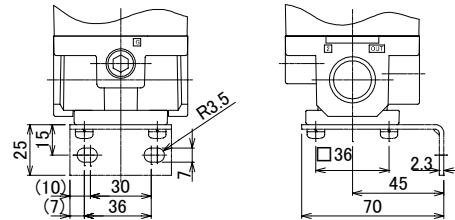
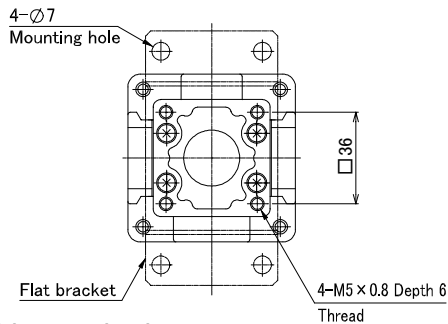
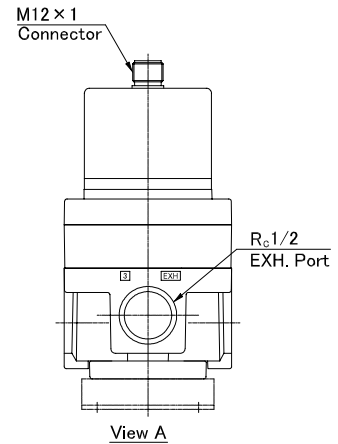
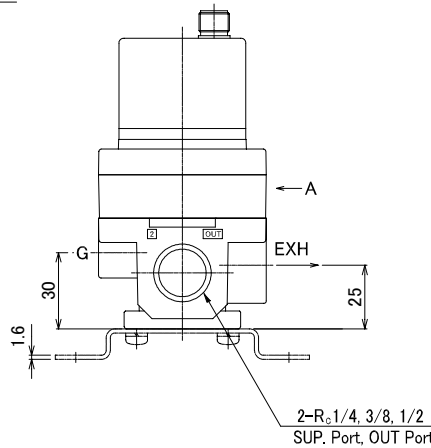
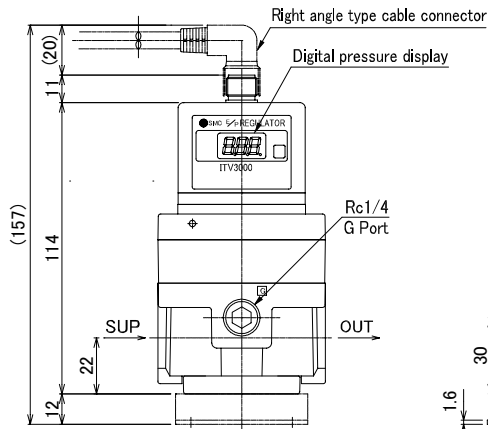


*5) In case of domestic (Japan) use, select an applicable symbol (kPa, MPa) for the pressure display units, in accordance with the International System of Units. Other units are available for shipping overseas.

Dimensions: mm



Straight type cable connector Ass'y



L type bracket

Wiring method

Wiring color	—
Brown	Power supply (+)
White	Input signal
Blue	GND (COM)
Black	Alarm output

Note 1: When alarm signal is given, remove factors (*6) that the outlet pressure does not reach the set pressure value.

*6) Example: Inlet pressure of electro-pneumatic regulator is lower than outlet pressure.

Note 2: Contact SMC sales representative for technical matters of this product.



Caution To ensure the safest possible operation of this product, please be sure to read thoroughly the "Safety Instructions" in our "Best Pneumatics" (general catalog) before use.