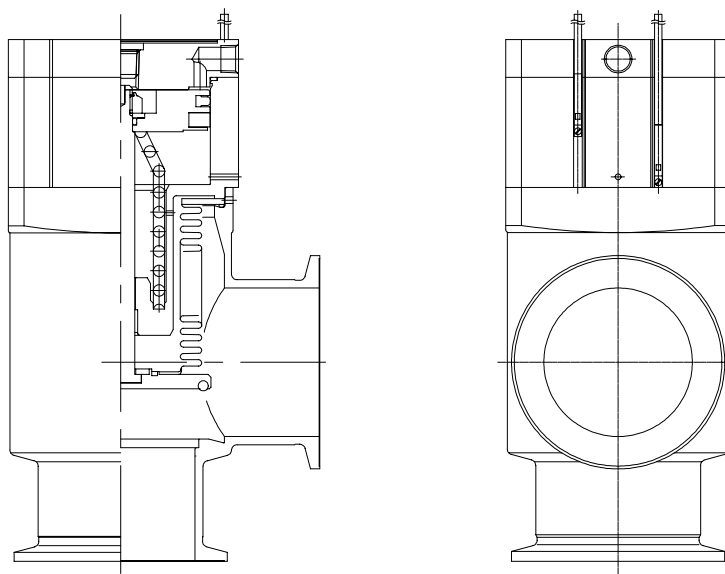


# High Vacuum Angle Valve Stainless Body

## XMB-50

SMC CORPORATION  
1-16-4 Shimbashi, Minato-ku  
Tokyo 105-0004, JAPAN  
URL: <http://www.smcworld.com>

- Feature 1: N.O. specification
- Feature 2: Body material SCS13 (Equivalent SUS304)
- Feature 3: Integrated construction of precision casting without accumulating gas



## Specifications

### High vacuum angle valve

Valve type	N.O. type (Pressurize to close, bellows seal)	
Fluid	Non-corrosive gas for SUS304/316	
Ambient and operating temperature	5 to 60°C (Option 5 to 150°C (*1))	
Operating pressure	Atmospheric pressure to $1 \times 10^{-6}$ Pa (for absolute pressure)	
Conductance (*2)	80L/sec	
Leakage Pa·m <sup>3</sup> /s	External	$1.3 \times 10^{-11}$ or less (At ordinary temperatures, excluding gas permeation)
	Internal	$1.3 \times 10^{-10}$ or less (At ordinary temperatures, excluding gas permeation)
Operating time (*3)	0.24sec	
Flange type	KF50	
Principal materials	Body: SCS13 (Equivalent SUS304), Bellows: SUS316, Seal: FKM	
Actuation pressure	0.4 to 0.6MPa	
Actuation port size	Rc1/8, NPT1/8, G1/8, NPTF1/8	
Service life	2 million cycles	
Weight	1.5kg	

\*1) When auto switches are attached, 5 to 150°C is not applicable.

\*2) Conductance is the same as that of an elbow with the same dimensions.

\*3) The time required for 90% valve movement when an actuation pressure of 0.5MPa is applied.  
There is a difference of about 20% in this value at the upper and lower pressure limits.

### Auto switch specification (\*4)

\*4) Please refer to our Best Pneumatics (general catalogue) for the details of auto switch.

