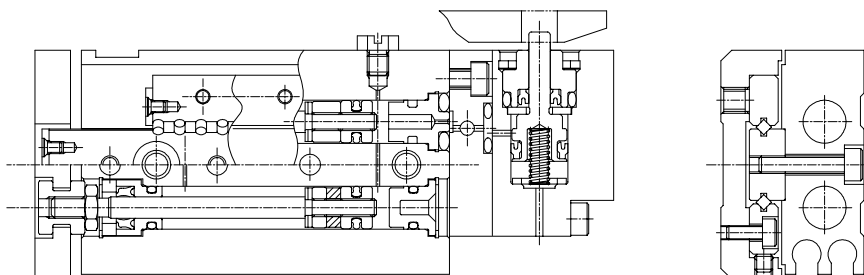


# Air Slide Table

- Built-in end lock mechanism
- Bore Size  $\varnothing 6\text{mm}$

## MXS6-\*\*R-X578

Feature 1: Built-in end lock mechanism added to  $\varnothing 6\text{mm}$  bore size air slide table.  
 (Previously, end lock was standard in slide tables with bore size of  $\varnothing 8\text{mm}$  or larger.)

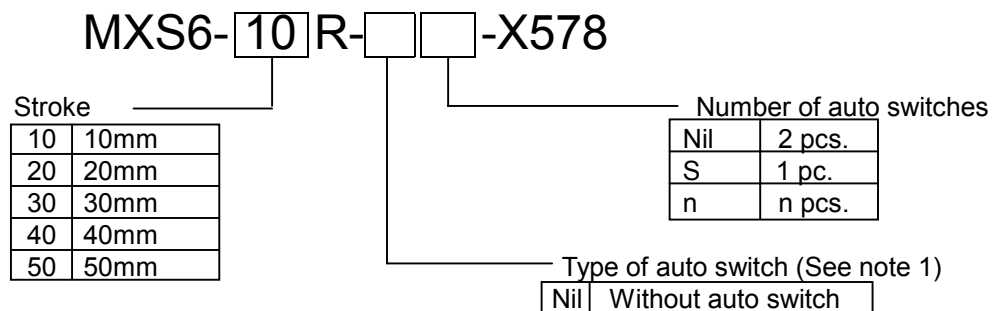


Construction

## Specification

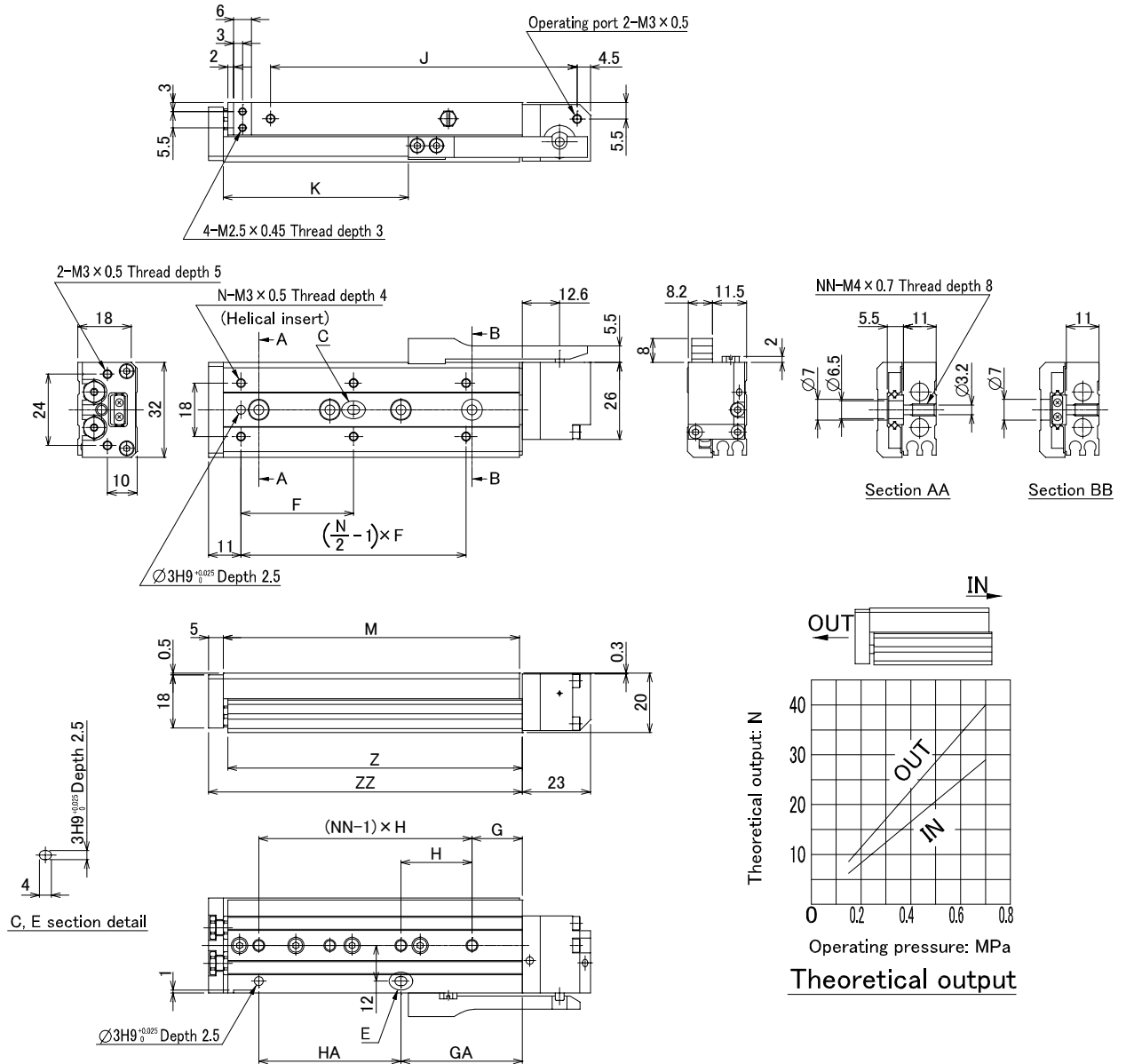
Bore size × number	$\varnothing 6\text{mm} \times 2$
Piping port size	M3 × 0.5
Stroke	10, 20, 30, 40, 50mm
Fluid	Air
Action	Double acting
Operating pressure	0.15 to 0.7MPa
Proof pressure	1.05MPa
Ambient and fluid temperature	-10 to 60°C (No freezing)
Operating speed range	50 to 500mm/s
Bumper	Rubber bumper
Holding force	15N
Lubrication	Not required (Non-lube)
Stroke length tolerance	+1 0mm

## How to Order



Note 1) Styles and part numbers for applicable auto switches are the same as those for Series MXS.  
 Please refer to our Best Pneumatics general catalog ② page 3. 11-6.

## Dimensions: mm



## Dimensions: mm

Stroke	Model	F	N	G	H	NN	GA	HA	J	K	M	Z	ZZ	Weight (g)
10mm	MXS6-10R-X578	20	4	6	25	2	11	20	45.5	22.5	42	41.5	48	134
20mm	MXS6-20R-X578	30	4	6	35	2	21	20	55.5	32.5	52	51.5	58	149
30mm	MXS6-30R-X578	20	6	11	20	3	31	20	65.5	42.5	62	61.5	68	169
40mm	MXS6-40R-X578	28	6	13	30	3	43	30	87.5	52.5	84	83.5	90	242
50mm	MXS6-50R-X578	38	6	17	24	4	41	48	103.5	62.5	100	99.5	106	274

## ⚠ Caution

To ensure the safest possible operation of this product, please be sure to read thoroughly the “Safety Instructions” in our “Best Pneumatics” general catalog before use. For precautions on options and end lock, please refer to our Best Pneumatics general catalog ② page 3.11-5 “Series MXS Specific Product Precautions and Precautions for Handling Functional Options.”