

Antistatic polyurethane tubing

(Tube O.D. [mm] × Tube I.D. [mm]: Ø1.3 × Ø0.8)

IN-241-3094

Barb fitting

(Applicable tube O.D. [mm] × Applicable tube I.D. [mm]: Ø1.3 × Ø0.8)

IN-233-1066 / IN-233-1127

SMC CORPORATION

1-16-4 Shimbashi, Minato-ku

Tokyo 105-0004, JAPAN

URL: <http://www.smcworld.com>

Application: Ideal for driving small actuators.

Antistatic polyurethane tubing

Feature 1: Space saving (Tube O.D. [mm] × Tube I.D. [mm])

- IN-241-3094 (Ø1.3 × Ø0.8)

Feature 2: Tube surface resistance is 10^4 to $10^7 \Omega$.

- Helps prevent electric discharges (sparks) caused by static electricity.

Barb fitting

Feature 1: Barb fitting is fully compatible with the antistatic polyurethane tubing introduced above.

Specifications

Antistatic polyurethane tubing

Model	IN-241-3094
Tube O.D. [mm] × Tube I.D. [mm]	1.3 × 0.8
Fluid	Air
Maximum operating pressure (at 20°C)	0.9MPa (*1)
Ambient and fluid temperature	0 to 40°C (No freezing)
Material	Conductive polyurethane
Minimum bending radius (*2)	3mm
Surface resistance	10^4 to $10^7 \Omega$
Color	Black
Tube length	10m roll

Barb fitting

Model	Barb fitting	M3	IN-233-1066
		M5	IN-233-1127
Applicable tube size: O.D. [mm] × I.D. [mm]		1.3 × 0.8	
Fluid		Air	
Maximum operating pressure		1MPa (*1)	
Ambient and fluid temperature		-5 to 60°C (No freezing)	
Material		SUS303	

*1) Please refer to the Burst Pressure and Operating Pressure Characteristics Graph in the following page.

When connecting polyurethane tubing, the maximum operating pressure and temperature values for tube should be observed.

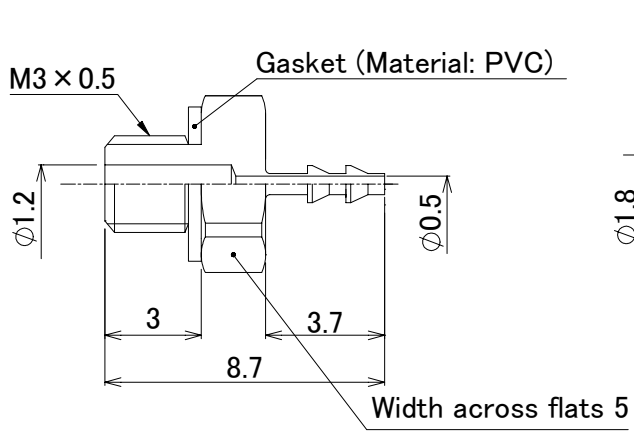
Refer to the Burst Pressure Characteristics Graph in the following page for using temperatures other than those indicated.

Also take precautions against extreme rises in temperature caused by adiabatic compression.

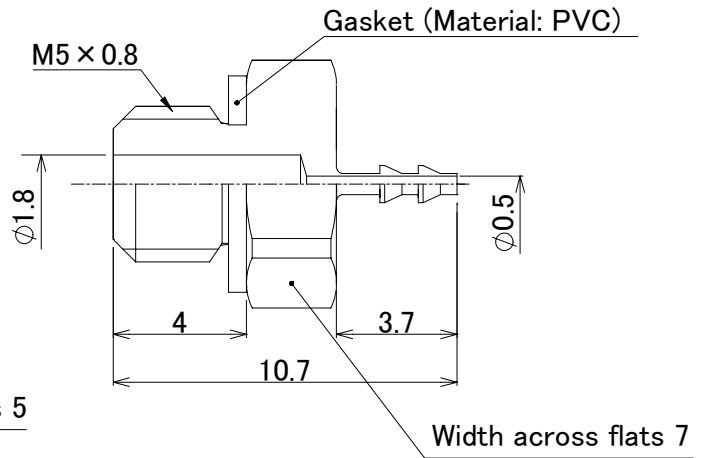
*2) Minimum bending radius at 20°C.

Dimensions: mm

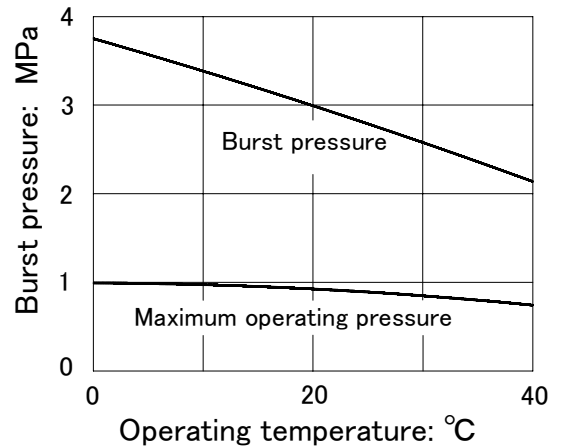
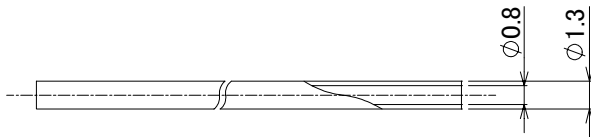
IN-233-1066



IN-233-1127



IN-241-3094



Burst Pressure and Operating Pressure Characteristics Graph

⚠ Caution

To ensure the safe operation of this product, please be sure to read the "Safety Instructions" in our "Best Pneumatics" general catalog thoroughly before use.