

Water-Resistant Compact Cylinder

- Stainless steel construction
- with strong scraper

CQ2B20RD-W4419-15

Application: Ideal for cleaning process of beverage cans on food processing lines.

- Suitable for use in hypochlorous acid environment where aluminum gets corroded.

Feature 1: **Compact Size** (Total length is only 54mm for $\varnothing 20$ mm bore 15mm stroke cylinder.)
 - Total length of Series CG5: Stroke length + 118mm (for bore size of $\varnothing 20$ mm).

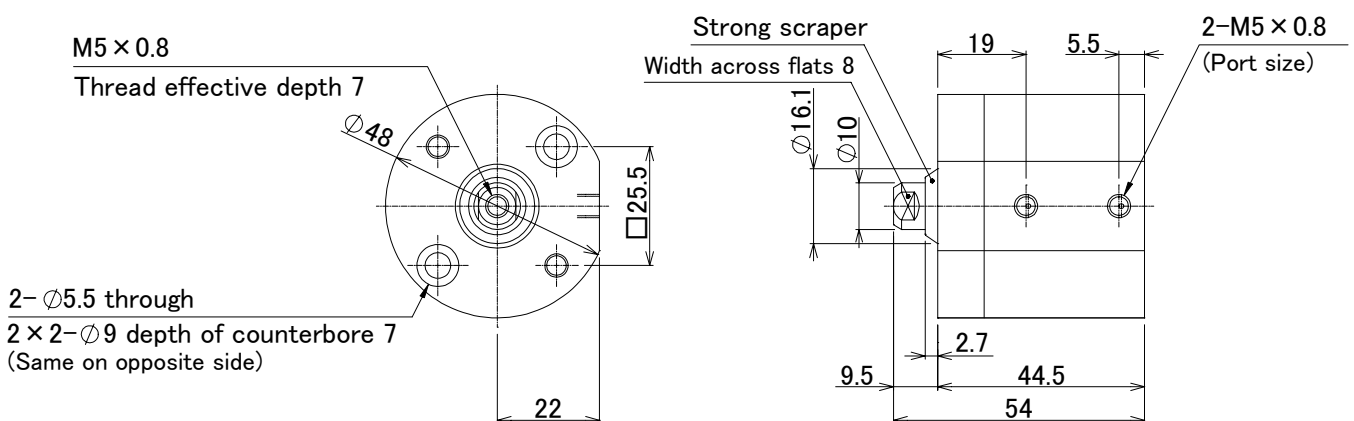
Feature 2: **Stainless steel material** for cylinder parts except for bushing, piston, and seals.

Feature 3: **Strong scraper**

Specifications

Fluid	Air	Ambient and fluid temperature	-10 to 70°C (No freezing)
Action	Double acting Single rod	Thread tolerance	JIS class 2
Bore size	$\varnothing 20$ mm	Stroke length tolerance	+1.0 0 mm
Stroke	15mm	Cushion	None
Proof pressure	1.5MPa	Mounting type	Basic
Maximum operating pressure	1.0MPa	Lubrication	Not required (Non-lube)
Minimum operating pressure	0.1MPa	Accessory	Not available
Piston speed	50 to 500mm/s		

Dimensions: mm



Note 1: Since this product has no built-in magnet, positions cannot be detected by auto switches.

Caution

To ensure the safest possible operation of this product, please be sure to read thoroughly the "Safety Instructions" in our "Best Pneumatics" general catalog before use.