

Manifold regulator with check valve

ARM2500-**A/B-02**-X216

ARM3000-**A/B-03**-X216

SMC CORPORATION

1-16-4 Shimbashi, Minato-ku
Tokyo 105-0004, JAPAN

URL: <http://www.smcworld.com>

Application : Set regulator manifold between the cylinder and valve in order to supply different pressure to head side and rod side of the cylinder.

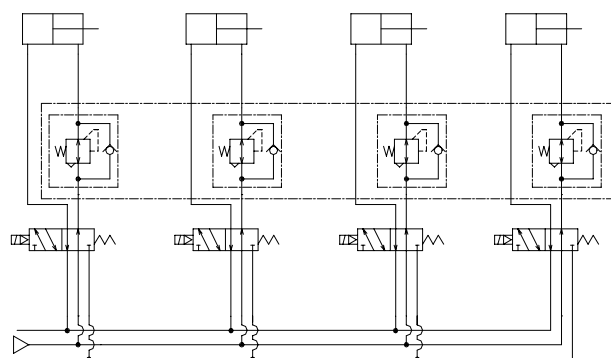
Feature 1 : Check valves (with reverse flow device) installed in each regulator manifold.

Comparison with Standard Product (ARM2500, 3000):

Check valves installed.

Application example:

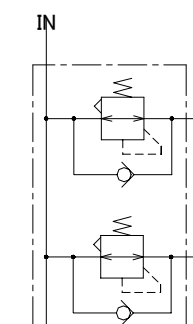
Reduce output pressure on non-working side of actuator for horizontal transfer and clamping.
(Use to regulate pressure on the side that allows low output of the cylinder, such as transfer returning process and unclamping side)



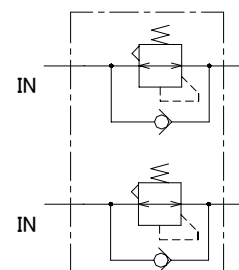
Pneumatic circuit

Specifications

Proof pressure	1.5 MPa
Maximum operating pressure	1.0 MPa
Set pressure range	0.05 to 0.85 MPa
Fluid	Air
Ambient and fluid temperature	-5 to 60 °C (No freezing)
Gauge port size	Rc1/8 (See Note 1 for other sizes)



Common IN
(ARM2500/3000-**A)

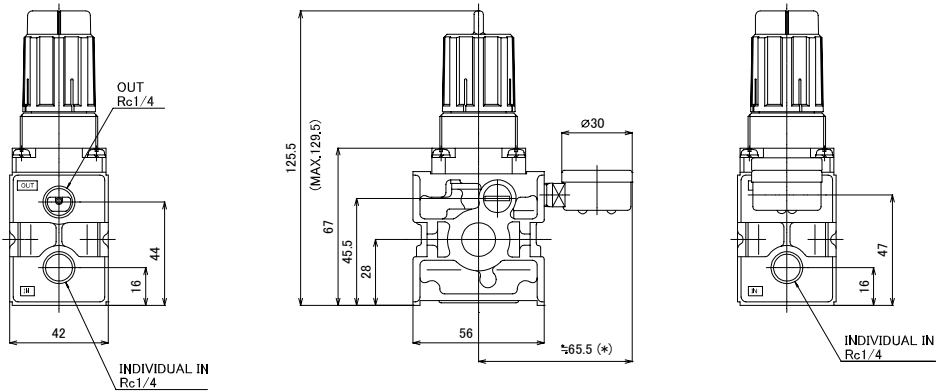
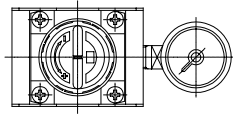


Individual IN
(ARM2500/3000-**B)

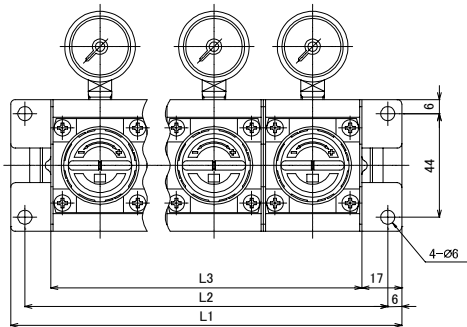
Symbols

Dimensions

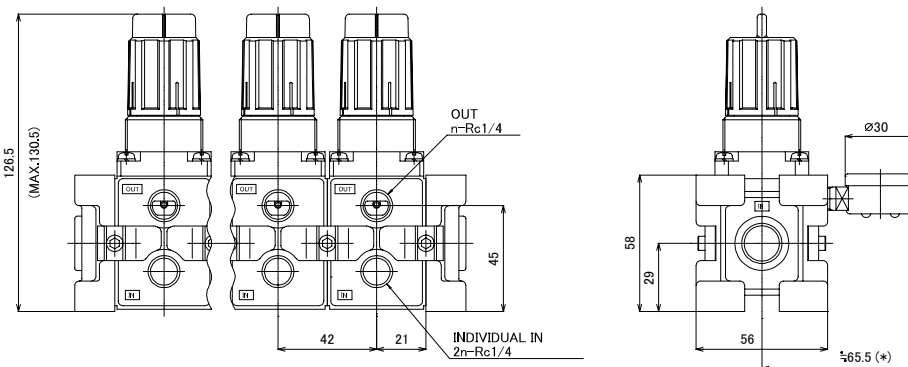
ARM2500-B-02G2-X216



ARM2500-**B-02G2-X216

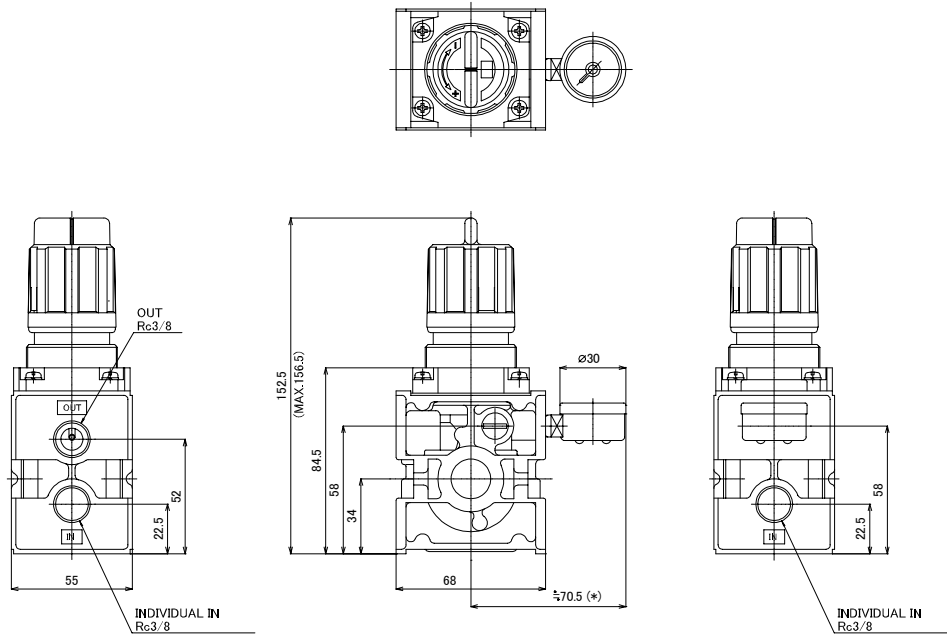


DRAWING NO.	STATIONS : n	L1	L2	L3
ARM2500-02B-02G2-X216	2	118	106	84
ARM2500-03B-02G2-X216	3	160	148	126
ARM2500-04B-02G2-X216	4	202	190	168
ARM2500-05B-02G2-X216	5	244	232	210
ARM2500-06B-02G2-X216	6	286	274	252
ARM2500-07B-02G2-X216	7	328	316	294
ARM2500-08B-02G2-X216	8	370	358	336
ARM2500-09B-02G2-X216	9	412	400	378
ARM2500-10B-02G2-X216	10	454	442	420

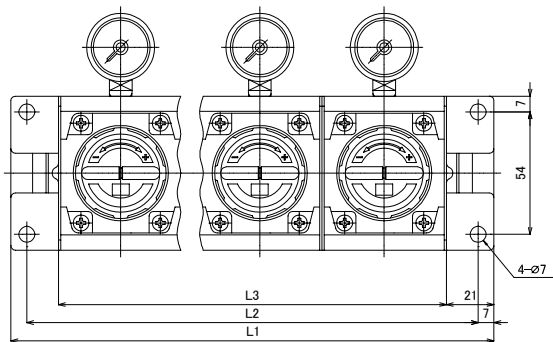


Dimension (*): See Note 1.

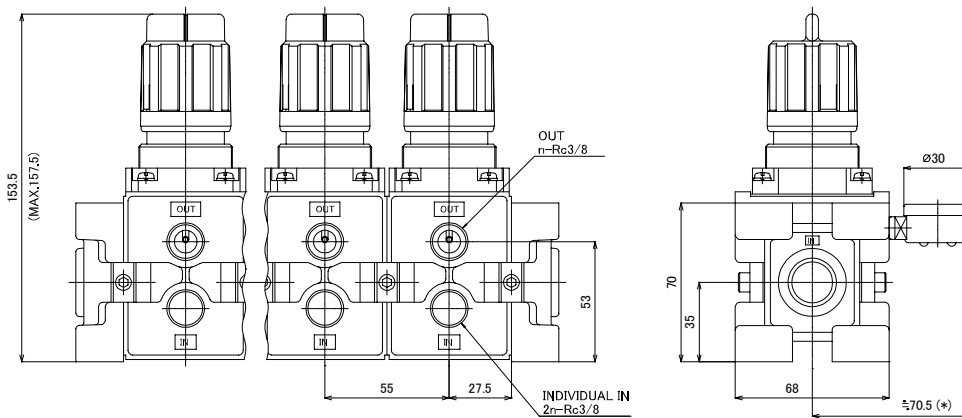
ARM3000-B-03G2-X216



ARM3000-**B-03G2-X216



DRAWING NO.	STATIONS : n	L1	L2	L3
ARM3000-02B-03G2-X216	2	152	138	110
ARM3000-03B-03G2-X216	3	207	193	165
ARM3000-04B-03G2-X216	4	262	248	220
ARM3000-05B-03G2-X216	5	317	303	275
ARM3000-06B-03G2-X216	6	372	358	330
ARM3000-07B-03G2-X216	7	427	413	385
ARM3000-08B-03G2-X216	8	482	468	440
ARM3000-09B-03G2-X216	9	537	523	495
ARM3000-10B-03G2-X216	10	592	578	550



Dimension (*): See Note 1.

Note 1 : Type A (Common IN) for ARM2500/3000-X216 dimensions are the same as type B (Individual IN).
 But port size and parts of dimension (*) are different.

Port size / Weight

Model	Piping	Port size Rc			Gauge port size Rc	Dimension (*)		
		IN		OUT		Pressure gauge		
		Body	End plate			Without	G1	G2
ARM 2500	Common IN	—	3/8	1/4	1/8	28	52.5	65.5
	Individual IN	1/4	—	1/4	1/8			
ARM 3000	Common IN	—	1/2	3/8	1/8	34	57.5	70.5
	Individual IN	3/8	—	3/8	1/8			

Note 2 : Please contact an SMC sales representative regarding detailed specifications of ARM2500/3000-X216 series.



Caution

For safe operation of this product, before using it, be sure to carefully read "Safety Instructions" indicated in our "Best Pneumatics" general catalog.