

! Contact our sales office for delivery dates and prices as this is a special model.

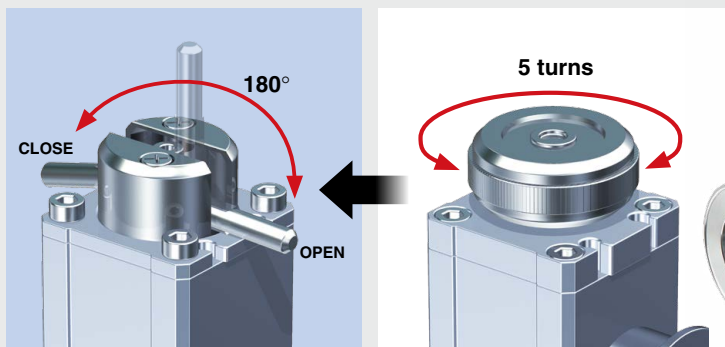
Specialized Product

Point to Group
P.G. information

High Vacuum Angle Valve/ Manual Lever Operation Type XLH/XMH-X163

Features

- The valve can be opened and closed via manual lever operation!



XLH/XMH-X163

XLH/XMH



Body material:
Aluminum alloy
XLH-X163

Body material: SCS13
(Stainless steel 304 equivalent)
XMH-X163

- Can be used as a vacuum gauge partition valve
- Can be used to open or close valves during emergencies via manual operation

Specifications

Valve type	Manual (Lever type)
Shaft seal type	Bellows seal
Operating pressure range	Atmospheric pressure to 1×10^{-6} Pa
Fluid	Inert gas under vacuum
Internal leakage	1.3×10^{-10} Pa·m ³ /s or less*1
External leakage	1.3×10^{-11} Pa·m ³ /s or less*1
Operating temperature	5 to 150°C
Conductance	5 L/s*2
Flange	KF16

*1 The value at normal temperature, excluding gas permeation

*2 The conductance value is the value at the "molecular flow" of an elbow with the same dimensions.



Caution

To ensure the safest possible operation of this product, please be sure to thoroughly read the "Safety Instructions" in our "Best Pneumatics" catalog before use.

SMC Corporation 4-14-1, SOTO-KANDA, CHIYODA-KU, TOKYO 101-0021, JAPAN URL: <https://www.smcworld.com>

©2020 SMC Corporation All Rights Reserved



SP191X-002E
P: YT