

! Contact our sales office for delivery dates and prices as this is a special model.

Specialized Product

Point to Group  
**P.G. information**

# Arc Welding Spatter-resistant Lead Wire Type/ Magnetic Field-resistant Solid State Auto Switch *D-P3DWA*□-1173(A)



Features

Lead wire with improved spatter resistance for arc welding environments

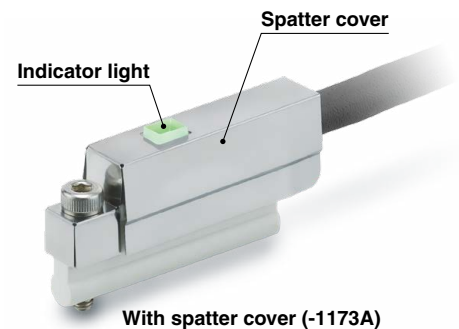


Spatter-resistant lead wire

## Specifications

### Auto Switch Specifications

Model	D-P3DWA□-1173	D-P3DWAZ-1173	D-P3DWA□-1173A	D-P3DWAZ-1173A
Lead wire length	3 m	5 m	3 m	5 m
Spatter cover	None		With spatter cover	
Wiring type	2-wire			
Load voltage	24 VDC (20 to 28 VDC)			
Load current	6 to 40 mA			
Internal voltage drop	5 V or less			
Leakage current	1 mA or less at 24 VDC			
Operating time	40 mA or less			
Indicator light	Operating position: Red LED illuminates. Proper operating range: Green LED illuminates.			
Lead wire	Lead wire with double sheath shield ø4.7, 0.3 mm <sup>2</sup> , 2 cores			
Impact resistance	1000 m/s <sup>2</sup>			
Insulation resistance	50 MΩ or more (500 VDC measured via megohmmeter) (Between lead wire and case)			
Withstand voltage	1000 VAC for 1 minute (Between lead wire and case)			
Ambient temperature	-10 to 60°C			
Enclosure	IEC60529 Standard IP67			
Standard	CE marking (EMC Directive, RoHS Directive)			



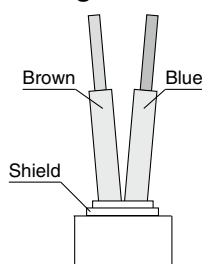
With spatter cover (-1173A)

### Lead Wire Specifications

	Model	D-P3DWA□-1173
Sheath	O.D. [mm]	ø4.7
Insulation	O.D. [mm]	ø2.7
Insulator	Number of cores	2 cores (Brown/Blue)
	O.D. [mm]	ø1.12
Conductor	Effective area [mm <sup>2</sup> ]	0.3
	Strand diameter [mm]	ø0.08

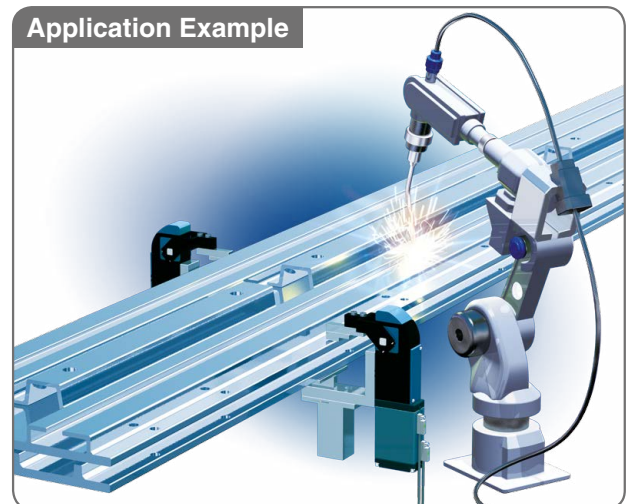
\* Do not connect wiring to the shield.

### Wiring



Lead wire color	Signal name
Brown	OUT (±)
Blue	OUT (±)
Shield	—

### Application Example



To ensure the safest possible operation of this product, please be sure to thoroughly read the "Safety Instructions" in our "Best Pneumatics" catalog before use.

SMC Corporation 4-14-1, SOTO-KANDA, CHIYODA-KU, TOKYO 101-0021, JAPAN URL: <http://www.smcworld.com>

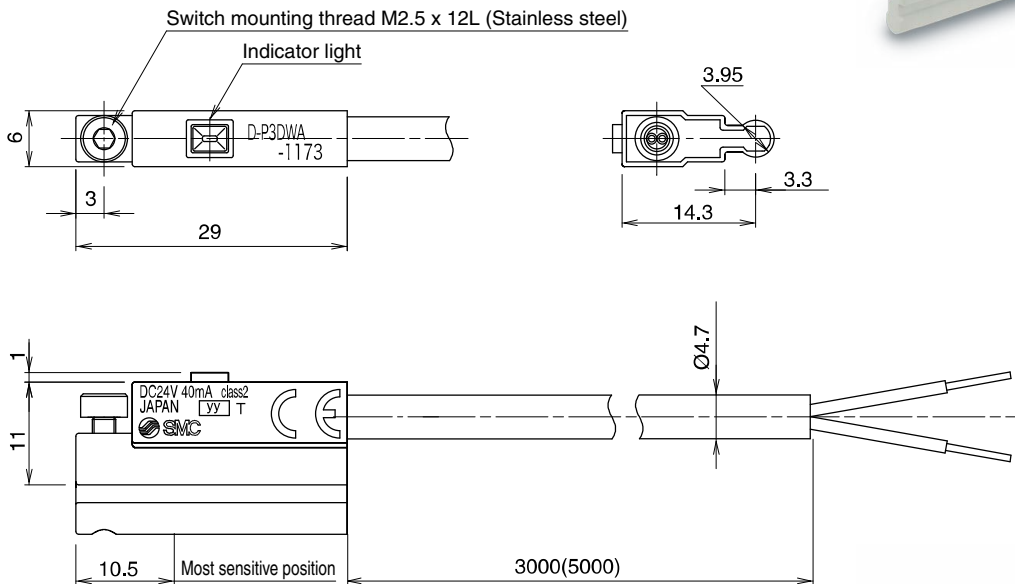
©2018 SMC Corporation All Rights Reserved



SP175X-034E  
P: WS

## Dimensions

### D-P3DWAL/Z-1173



### D-P3DWAL/Z-1173A (With spatter cover)

