



S Couplers / Stainless steel type

Plug (Female thread type) / KKA6P-03F-*-X237

Socket (Male thread type) / KKA6S-03M-*-X237

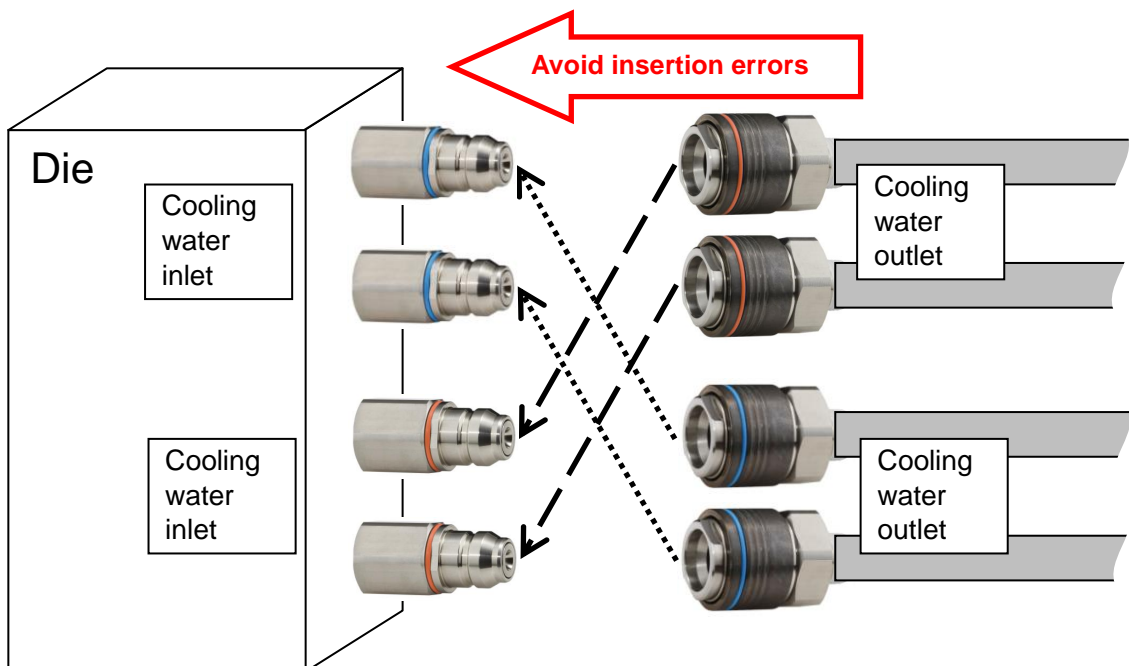
SMC CORPORATION
4-14-1, SOTO-KANDA,
CHIYODA-KU,
TOKYO 101-0021, JAPAN
URL: <http://www.smcworld.com>

- Features: Identification ring is available in 4 colors (red/blue/yellow/white)



The connection of the plug and socket can be confirmed with the colored identification ring when there are many piping paths.

- Application example: Piping of inlet/outlet for cooling water



■ Specifications

Fluid	Water, Air (cannot be used with steam)
Operating pressure range ^{Note1)}	0 to 1.0MPa
Proof pressure	10MPa
Ambient and fluid temperature	-5~150 °C (No freezing)
Non-greased specification	No grease is used.
Plug and socket connection ^{Note2)}	One-touch connection and release
Check valve ^{Note3)}	Check valve on both sides
Liquid dripping ^{Note4)}	0.06 cm ³ at each removal
Aeration ^{Note5)}	0.2 cm ³ at each removal
Material	Metal part: SUS304, Rubber material: FKM
Seal	With male thread sealant

Note1) Do not use the S couplers with a leak tester or for vacuum retention because they are not guaranteed for zero leakage.

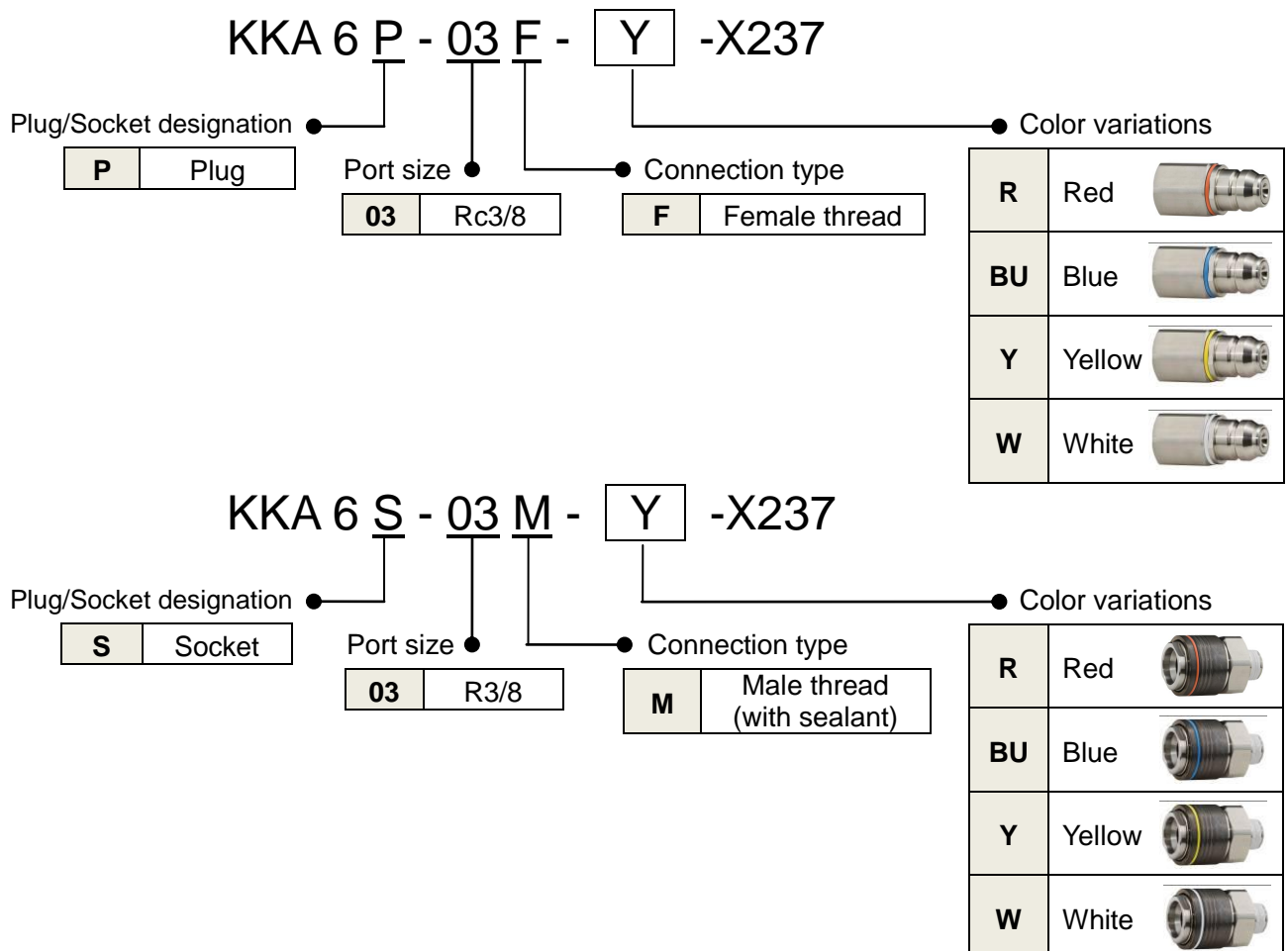
Note2) This product cannot be connected to the KK130, KK and KKH series. It can be connected to the standard KKA6 series.

Note3) A plug with check valve should be used in combination with a socket with check valve. If a socket without check valve is used, the check valve of the plug will not open.

Note4) Volume of water leakage at the time when the plug and socket are uncoupled.

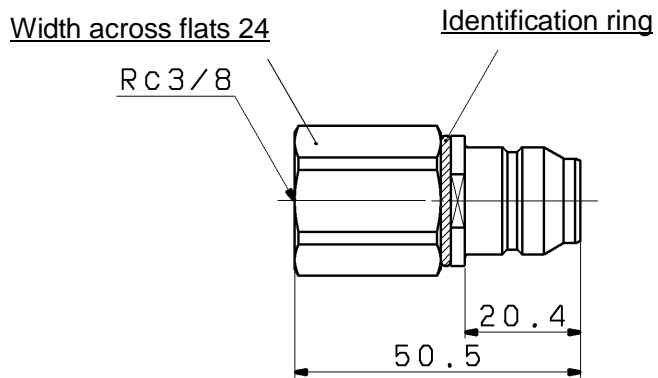
Note5) Volume of external air entrained when the plug and socket are connected.

■ How to Order

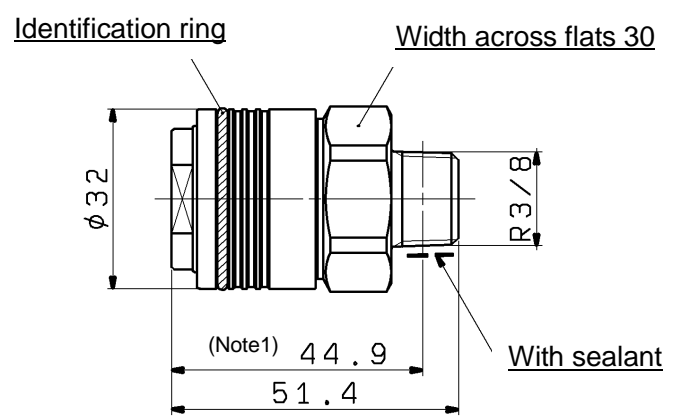


■ Dimensions mm

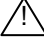
KKA6P-03F-*-X237



KKA6S-03M-*-X237



Note1) Reference dimensions after installation.

 Caution To ensure the safest possible operation of this product, please be sure to thoroughly read the "Safety Instructions" in our "Best Pneumatics" catalog before use.