

 Contact our sales office for delivery dates and prices as this is a special model.

SP133X-012E
P: RU

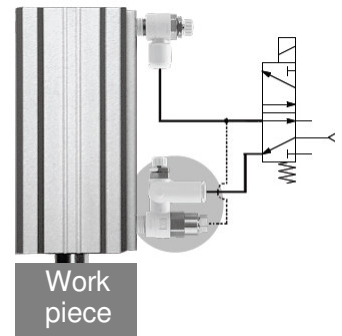
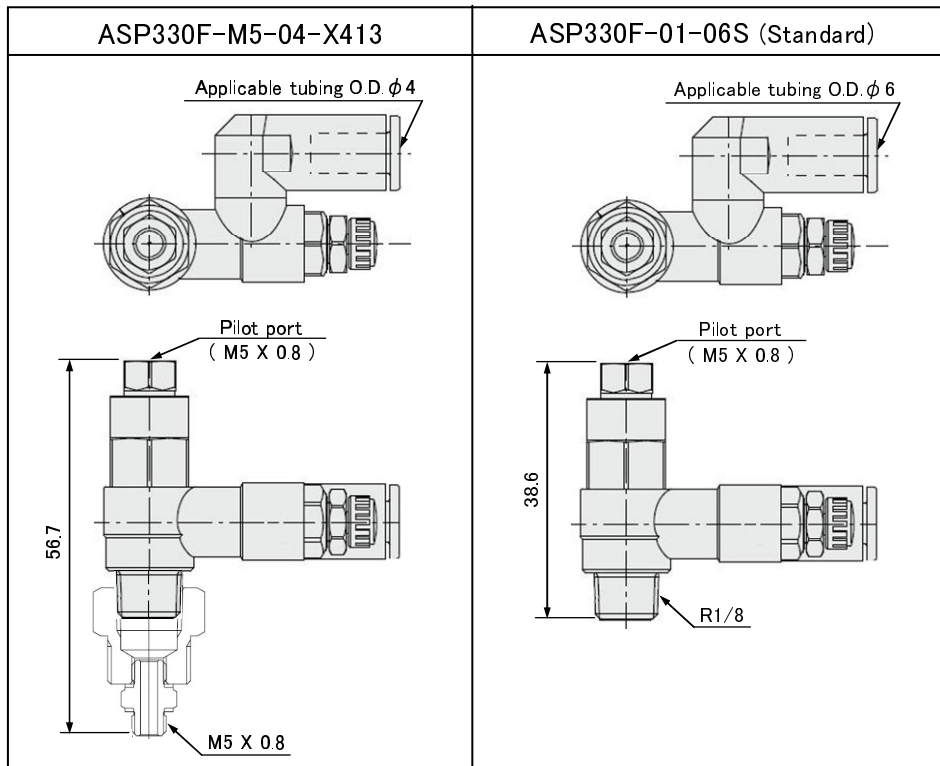
 *P.G.Information (Specialized Product)*

Speed Controller with Pilot Check Valve with One-touch Fitting M5 Type ASP330F-M5-04-X413

SMC CORPORATION
4-14-1, SOTO-KANDA,
CHIYODA-KU,
TOKYO 101-0021, JAPAN
URL: <http://www.smcworld.com>

- Feature: Applicable tubing O.D. $\phi 4$, Port size M5 X 0.8
Realizes momentary intermediate stoppage of a cylinder and able to adjust speed control of it.

Note) Precise intermediate stops are not guaranteed.

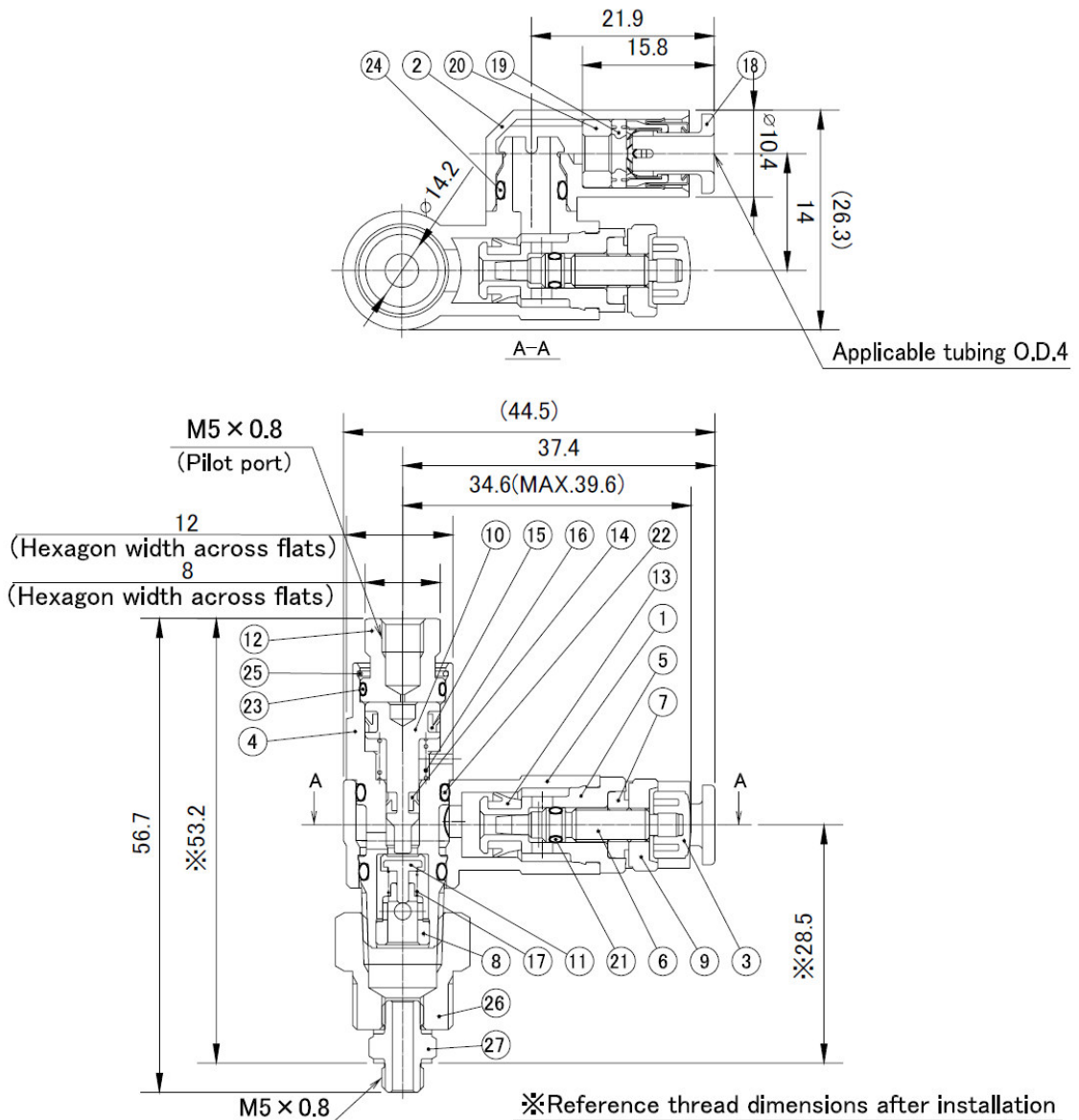


Example of drop
Prevention circuit

Specifications

Model	ASP330F-M5-04-X413
Fluid	Air
Proof pressure	1.5MPa
Max. operating pressure	1MPa
Min. operating pressure	0.1MPa
Pilot check valve operating pressure	More than 50% the operating pressure
Ambient and fluid temperature	-5~60°C (No freezing)
Number of needle rotations	10 turns
Applicable tubing material	Nylon, Soft nylon, Polyurethane
Port size	M5X0.8, M5X0.8(Pilot port), $\phi 4$ (Tube O.D.)

Construction, Dimensions : mm



No.	Description	Material	No.	Description	Material
1	Body A	PBT	15	DY seal	NBR
2	Elbow body	PBT	16	Spring	Stainless steel
3	Handle	PBT	17	Spring	Stainless steel
4	Pilot body	Brass(Electroless nickel plated)	18	Cassette	-
5	Body B	Brass(Electroless nickel plated)	19	Seal	NBR
6	Needle	Brass(Electroless nickel plated)	20	Spacer	POM
7	Needle guide	Brass(Electroless nickel plated)	21	O-ring	NBR
8	Guide	Brass(Electroless nickel plated)	22	O-ring	NBR
9	Lock nut	Brass(Electroless nickel plated)	23	O-ring	NBR
10	Piston	Brass(Electroless nickel plated)	24	O-ring	NBR
11	Valve	Stainless steel, NBR	25	Ring	Stainless steel
12	Cover	Brass(Electroless nickel plated)	26	Bulkhead reducer	-
13	U seal	HNBR	27	Nipple	-
14	DY seal	NBR	-	-	-

⚠ Caution To ensure the safest possible operation of this product, please be sure to thoroughly read the "Safety Instructions" in our "Best Pneumatics" catalog before use.