

 Contact our sales office for delivery dates and prices as this is a special model.

 *P.G.Information (Specialized Product)*

SP133E-011E
P: SO

Cyclone Filter for Vacuum AF-T17

SMC CORPORATION
4-14-1, SOTO-KANDA, CHIYODA-KU,
TOKYO 101-0021, JAPAN
URL: <http://www.smcworld.com>

■Feature: Able to capture 90% or more of solid powder with a specific gravity of 2.1 with the cyclone effect

Protection of equipment on the upstream side from vacuum

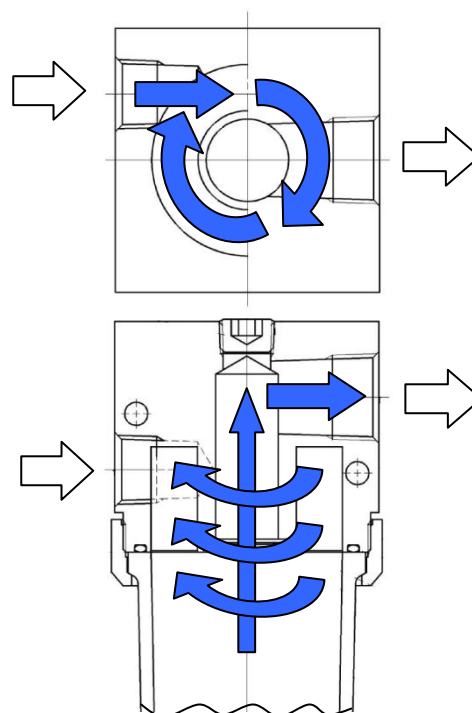


Working Principle

(1) The gas enters from the port on the pad side and circles along the inner surface of the body.

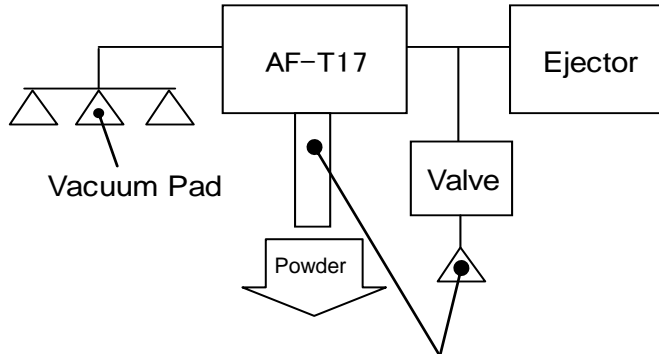
(2) Solid matter in the gas is separated by a centrifugal force that is generated by spinning, swirls down and accumulates in the bowl.

(3) The gas, separated from the solid matter, flows towards the port on the ejector side.



No element used (No clogging)

Dust can be ejected by switching air on the ejector side.



A positive pressure is supplied to the ejector side of AF-T17 to eject powder in AF-T17.

◇ AF-T17 has been used with vacuum flow to collect burrs from electronic parts.

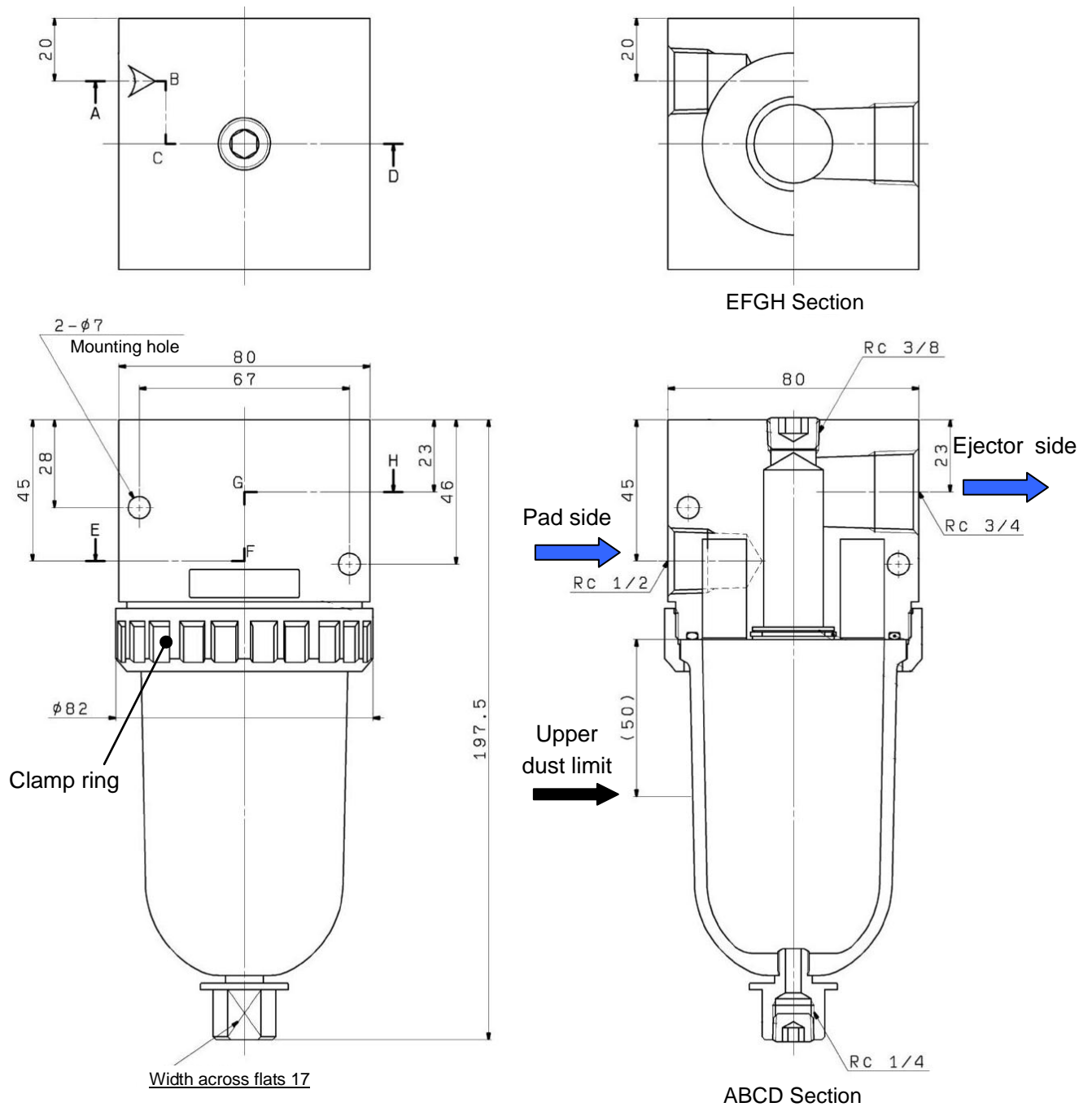


Vacuum Flow / ZH□-□-X185

■ How to Order and Specifications:

How to Order	AF-T17
Fluid	Air
Operating pressure range	-0.1 to 0 MPa
Proof pressure	0.75 MPa
Vacuum release pressure	MAX. 0.5 MPa
Ambient and fluid temperature	-5 to 60°C (No freezing)
Port size	Pad side: Rc1/2, Ejector side: Rc3/4 Ejection port: Rc1/4

■ Dimensions: mm



- Notes:
1. Eject dust (particles) before it reaches the upper dust limit.
 2. The bowl material is nylon. It may crack or break when solvent such as alcohol, amines, etc. attaches to the bowl. Please consult SMC when solvent that may affect nylon is used.
 3. Since the bowl does not have protection, replace the bowl assembly before it cracks or breaks when discolorations or flaws are generated.
 4. Please use a commercially available tool when the clamp ring screw gets stuck and the bowl cannot be removed manually. * Tool: Hook spanner, size 80/85
To remove the bowl, attach a hook spanner to the clamp ring and turn it counterclockwise.


Safety Instructions

Danger Countermeasures against dust explosion

- Do not use this product to separate or collect explosive powder (aluminum powder, magnesium powder, coal powder, etc.), organic powder (epoxy resin, toner, paper dust, starch, etc.) or flammable organic solvent that is at risk of generating a dust explosion.
- Regarding the ignition quality or explosive nature of substances to be separated or collected, confirm safety before use by checking with the material manufacturers.

Danger Countermeasures against static electricity

Powder in cyclone flow may generate static electricity. When static electricity is generated, take countermeasures using static eliminators (ionizers) or grounding with the mounting hole.

 Caution To ensure the safest possible operation of this product, please be sure to thoroughly read the "Safety Instructions" in our "Best Pneumatics" catalog before use.