

 Contact our sales office regarding a delivery date or a price since this is a special model.

SP123X-008E
P: QY



P.G.Information (Specialized Product)

Double universal female elbow

KQ2VD*-*-X972

KQB2VD*-*-X819/-X901

SMC CORPORATION
4-14-1, SOTO-KANDA,
CHIYODA-KU,
TOKYO 101-0021, JAPAN
URL: <http://www.smcworld.com>

■ Features: An one-touch fitting to supply cooling water to molds.

Enables multiple piping in a limited space.

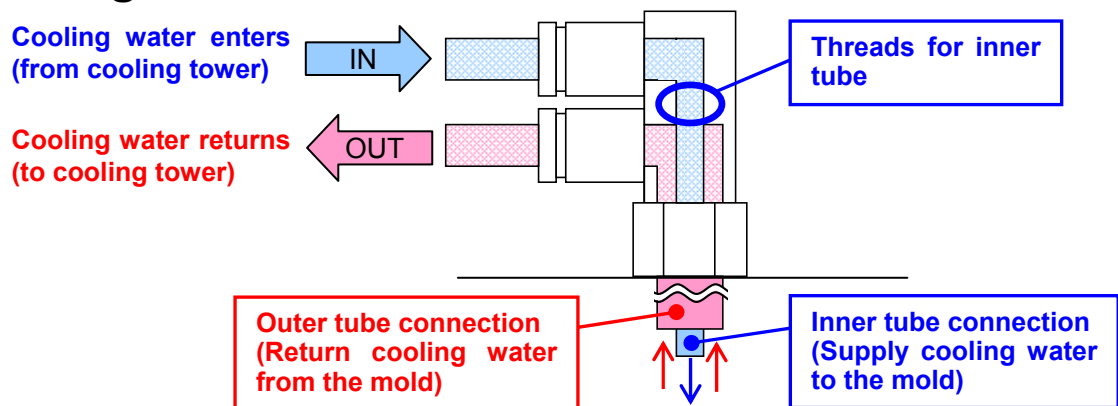


Resin body type/ KQ2VD



Metal body type/ KQB2VD

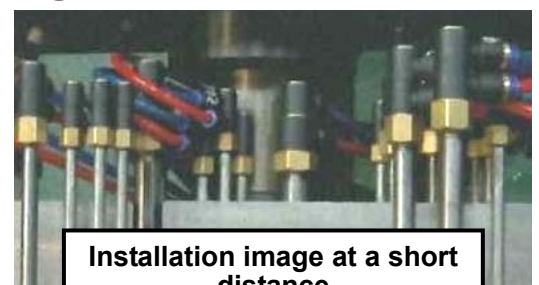
1. IN/OUT coaxial ports (reciprocation type) with single fitting.



2. Enables easy and flexible piping.

A: Several fittings can be installed at a short distance with a hexagon wrench. (Concentrated installation)

B: Enable flexible piping of cooling water with swing movement!



Installation image at a short distance (Concentrated installation)

■ Specifications

	Resin body type: KQ2VD	Metal body type: KQB2VD
Tubing material	Nylon, Polyurethane, FEP, PFA	Nylon, Polyurethane, FEP, PFA, Polyolefin
Tubing O.D.	$\Phi 6, \Phi 8, \Phi 10$	
Fluid	Air / Water ⁽¹⁾	
Operating pressure range	-100 kPa to 1 MPa ⁽²⁾	
Ambient and fluid temperature	-5 to 60°C Water: 0 to 40°C (No freezing) ⁽³⁾	-5 to 150°C (No freezing) ⁽⁴⁾

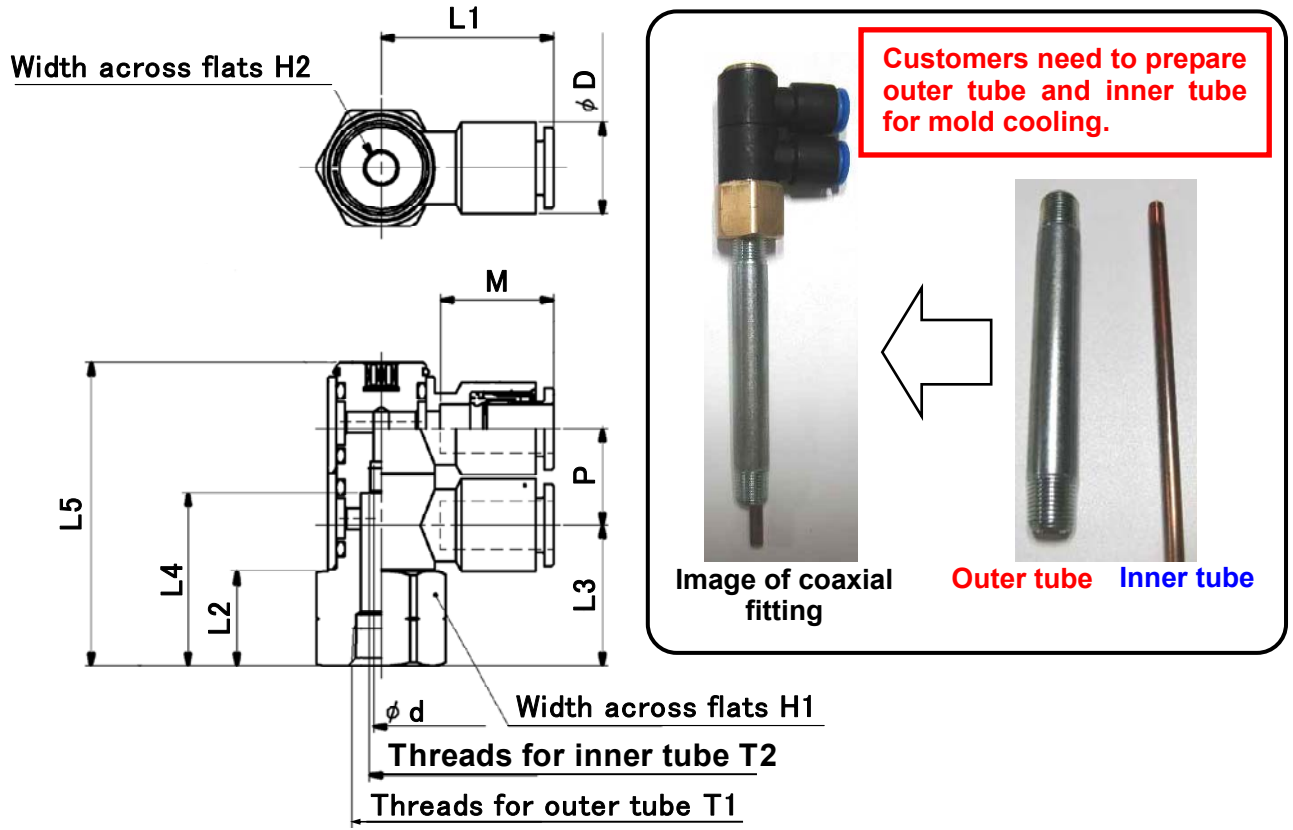
Note 1) The surge pressure must be under the maximum operating pressure.

Note 2) Check the operating pressure range of the tubing.

Note 3) Check the temperature conditions of the cooling water of the mold.

Note 4) Check the operating temperature range of the tubing. Use inner sleeve under high temperature conditions. Check the temperature conditions separately.

■How to Order and Dimensions (mm)

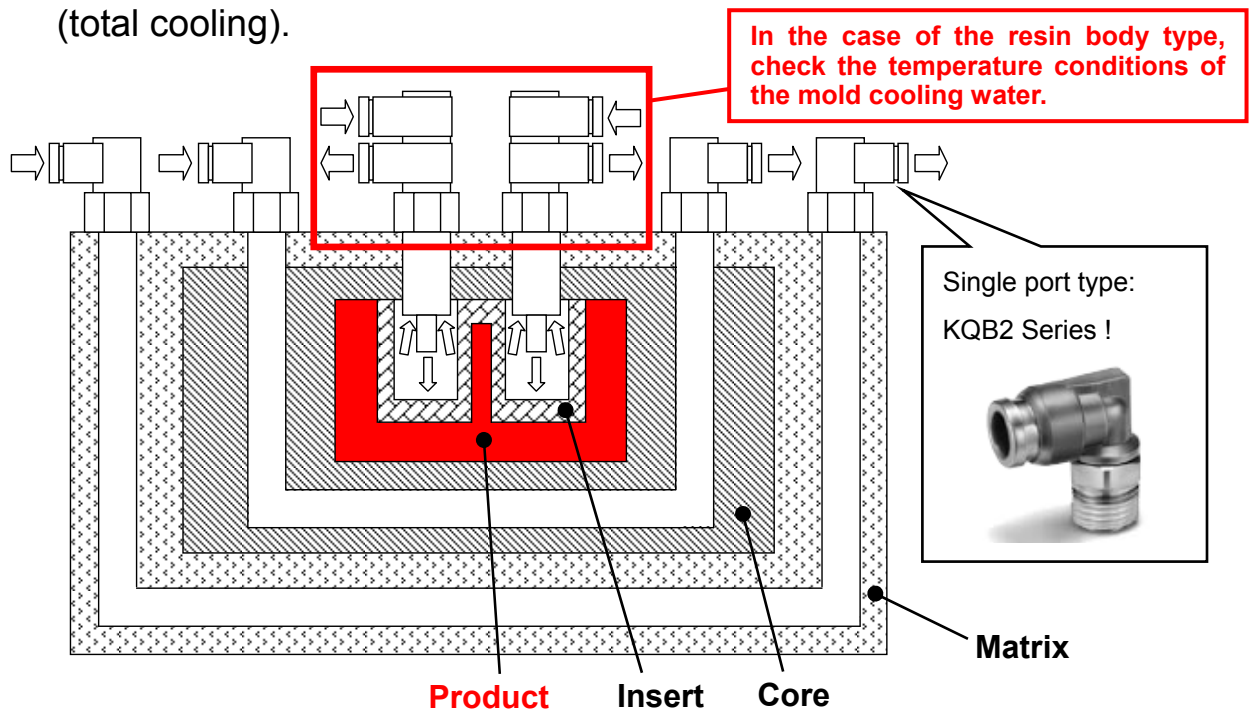


Applicable tubing O.D. (mm)	Coaxial fitting		Model	H1	H2	φD	L1	L2	L3	L4	L5	M	P	φ d	
	T1	T2													
Resin body type	φ 6	Rc1/16	5-44UNF	KQ2VD06-16F-U20-X972	14	4	12.8	24.5	10.9	17.3	23	40	17	13.4	2.5
			M4x0.5	KQ2VD06-16F-M4-X972	14	4	12.8	24.5	10.9	17.3	23	40	17	13.4	2.5
	φ 8	Rc1/8	10-32UNF	KQ2VD08-01F-U30-X972	19	5	15.2	28.5	16	23	28.6	50	18.5	15.9	2.5
			M4x0.5	KQ2VD08-01F-M4-X972	19	5	15.2	28.5	15.6	23	28.6	50	18.5	15.9	2.5
		Rc1/4	M6x0.75	KQ2VD08-02F-M6-X972	21	6	18.5	32.5	16	25.1	34.5	57	18.5	19.2	4.5
		Rc3/8	M8x0.75	KQ2VD08-03F-M8-X972	25	8	20.9	35.3	11.8	22.2	33.3	58	18.5	23.1	5.8
	φ 10	Rc1/4	1/4-28UNF	KQ2VD10-02F-U40-X972	21	6	18.5	31.5	15.8	25.1	34.5	57	21	19.2	4.5
		Rc3/8	Rc1/16	KQ2VD10-03F-R00-X972	25	8	20.9	39	11.8	22.2	33.3	58	21	23.1	5.8
Metal body type	φ 6	Rc1/16	5-44UNF	KQB2VD06-R1F-X819	14	4	11.5	20	10.8	17.5	23	40	13.6	13.4	2.5
			M4x0.5	KQB2VD06-R1F-X901	14	4	11.5	20	10.8	17.5	23	40	13.6	13.4	2.5
	φ 8	Rc1/8	10-32UNF	KQB2VD08-R1F-X819	19	5	13.4	24.6	15.6	23.9	28.6	50	16.1	15.9	3.5
			M4x0.5	KQB2VD08-R1F-X901	19	5	13.4	24.6	15.6	23.9	28.6	50	16.1	15.9	2.5
		Rc1/4	M6x0.75	KQB2VD08-R2F-X901	21	6	13.4	25.6	15.8	25.9	34.5	57	16.1	19.2	4.5
		Rc3/8	M8x0.75	KQB2VD08-R3F-X901	25	8	13.4	27	11.8	23.4	33.3	58.1	16.1	21.6	5.8
	φ 10	Rc1/4	1/4-28UNF	KQB2VD10-R2F-X819	21	6	16.4	27.3	15.8	25.9	34.5	57	17	19.2	4.5
		Rc3/8	Rc1/16	KQB2VD10-R3F-X819	25	8	16.4	29.6	11.8	23.4	33.3	58.1	17	21.6	6.8

■ Example of mold cooling

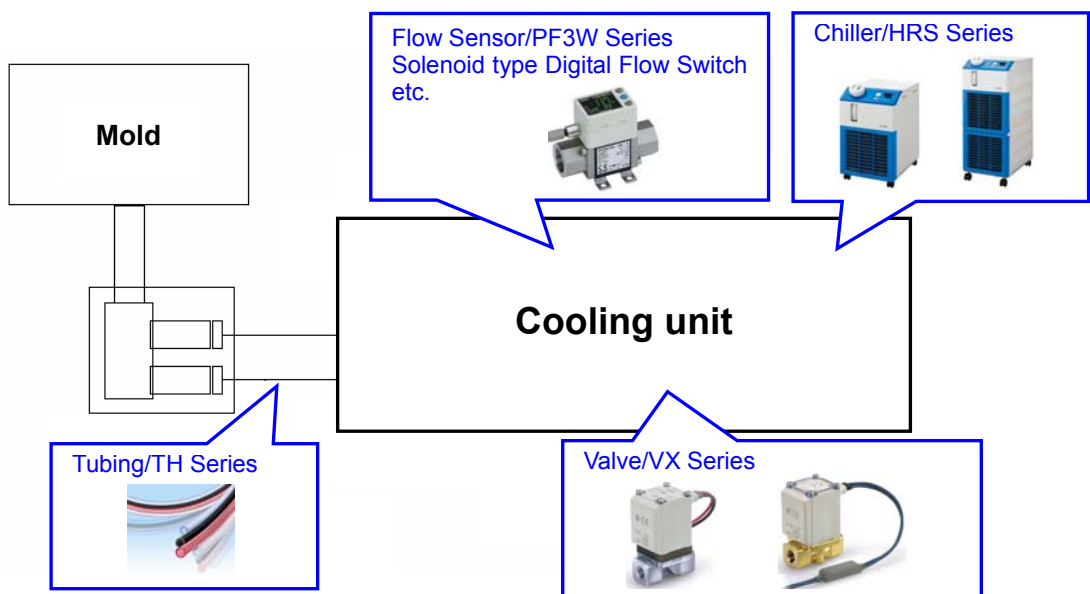
Molds requiring water-cooling are die cast molds and resin molds etc.
This product (reciprocation type) is used to cool down the insert (selective cooling).

* The single port type is common for cooling down the matrix and the core (total cooling).



<Introduction of related products>

SMC offers products that can control supply of cooling water to the molds.
Check the temperature conditions before selection.



⚠ Caution To ensure the safest possible operation of this product, please be sure to read thoroughly the "Safety Instructions" in our "Best Pneumatics" catalog before use.