



Contact our sales office for delivery dates and prices as this is a special model.

SP121X-018E
P: RO

SMC P.G.Information (Specialized Product)

SMC CORPORATION
4-14-1, SOTO-KANDA,
CHIYODA-KU,
TOKYO 101-0021, JAPAN
URL <http://www.smcworld.com>

3 Port solenoid valve / VP ³542R-X20
7

■Features:

1. Double solenoid pilot type

- Capable of temporarily holding the air supply/vacuum at the time of emergency stop.

- Pilot valves of SY3240 series

Note) For applications with vacuum retention, please contact our sales for the details of the specifications.

2. Universal porting

- Suitable as a selector valve, divider valve or a valve for low vacuum (up to 100kPa).

Model no.	Actuation Type
Part number suffix: -X20	2 position double solenoid

Note) Available only for external pilot type.

■Specifications

All specifications except the above Actuation Type are the same as that of standard products. Please refer to the external pilot type on the VP300/500/700 series standard catalogue for more details.

Note) This product is not CE marked.

How to Order:

VP 3 4 2 R - 5 G [] [] 1 - 01 [] - [] - X20

Series	
3	VP300
5	VP500
7	VP700

Pilot type	
R	External pilot

Rated voltage	
DC	
5	DC24V
6	DC12V
AC (50/60Hz)	
1	AC100
2	AC200V
3	AC110V (AC115V)
4	AC220V (AC230V)

Thread type	
Nil	Rc
F	G
N	NPT
T	NPTF

Bracket	
Nil	Without bracket
F	With bracket

Port size

Symbol	Port size	VP300	VP500	VP700
01	1/8	○	—	—
02	1/4	○	○	—
03	3/8	—	○	○
04	1/2	—	—	○

Manual

Nil: Non-Locking push type	D: Push-turn locking (slotted type)	E: Push-turn locking (lever type)
----------------------------	-------------------------------------	-----------------------------------

Electrical entry

DC24V, 12V/AC100V, 110V, 200V, 220V				DC24V, 12V AC100V, 110V 200V, 220V
Grommet	L-Type plug connector	M-Type plug connector		DIN terminal
G: Lead wire length 300mm 	L: With lead wire (length 300mm) 	M: With lead wire (length 300mm) 	MN: Without lead wire 	D, Y: With connector
H: Lead wire length 600mm 	LN: Without lead wire 	LO: Without connector 	MO: Without connector 	DO, YO: Without

Light /surge voltage suppressor

[Electrical entry: G, H, L or M]

Nil	Without light/surge voltage suppressor
S	With surge voltage suppressor
Z	With light/surge voltage suppressor
R	With surge voltage suppressor (Non-polar)
U	With light/surge voltage suppressor (Non-polar)

* For the AC power type, there is no "S" option since generation of surge voltage is suppressed with the rectifier.
* "R" and "U" options are only available for DC power type.

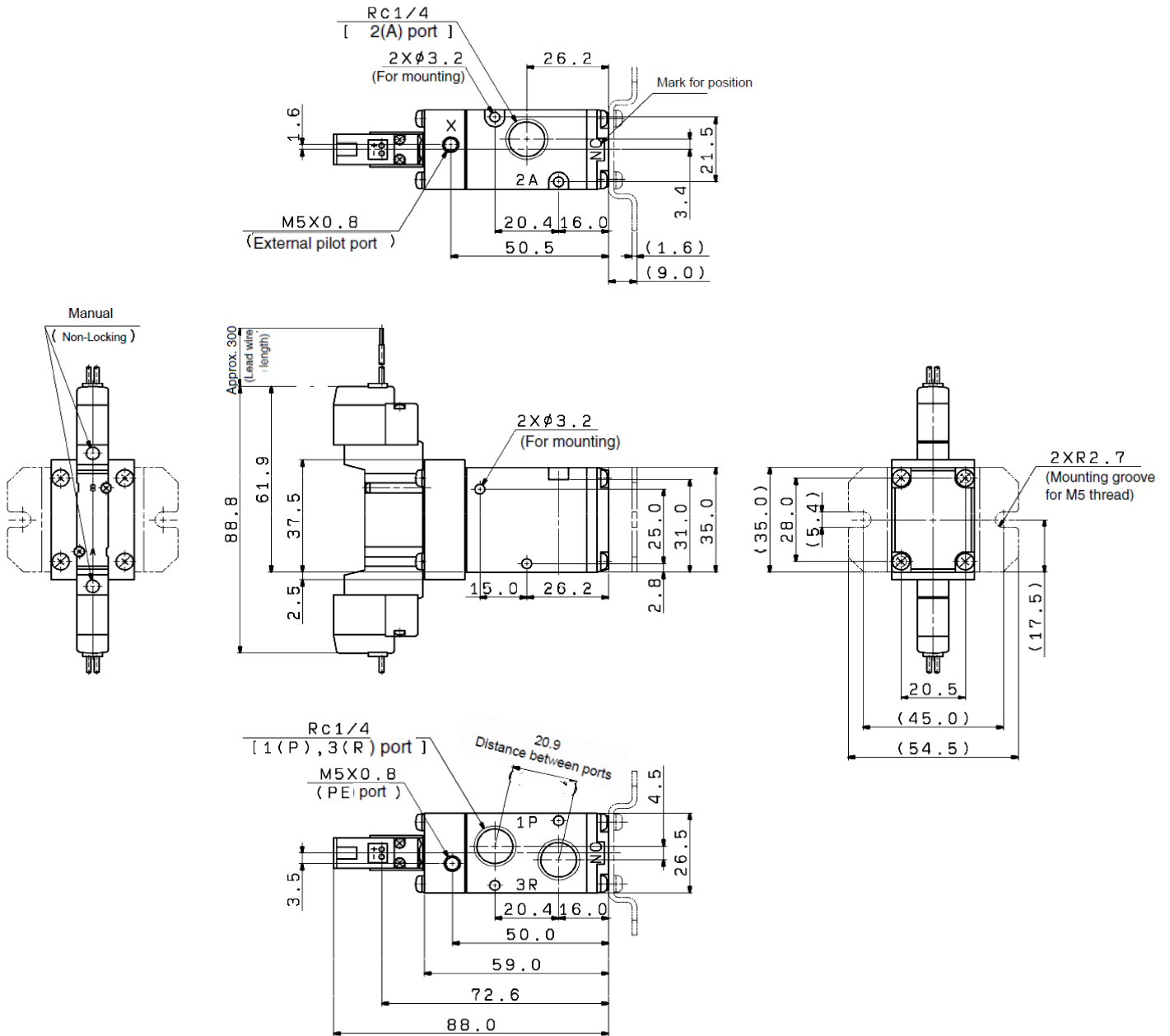
[Electrical entry: D or Y]

Nil	Without light/surge voltage suppressor
S	With surge voltage suppressor
Z	With light/surge voltage suppressor

* The combinations of "DOZ" and "YOZ" are unavailable.
* For the AC power type, there is no "S" option since generation of surge voltage is suppressed with the rectifier.

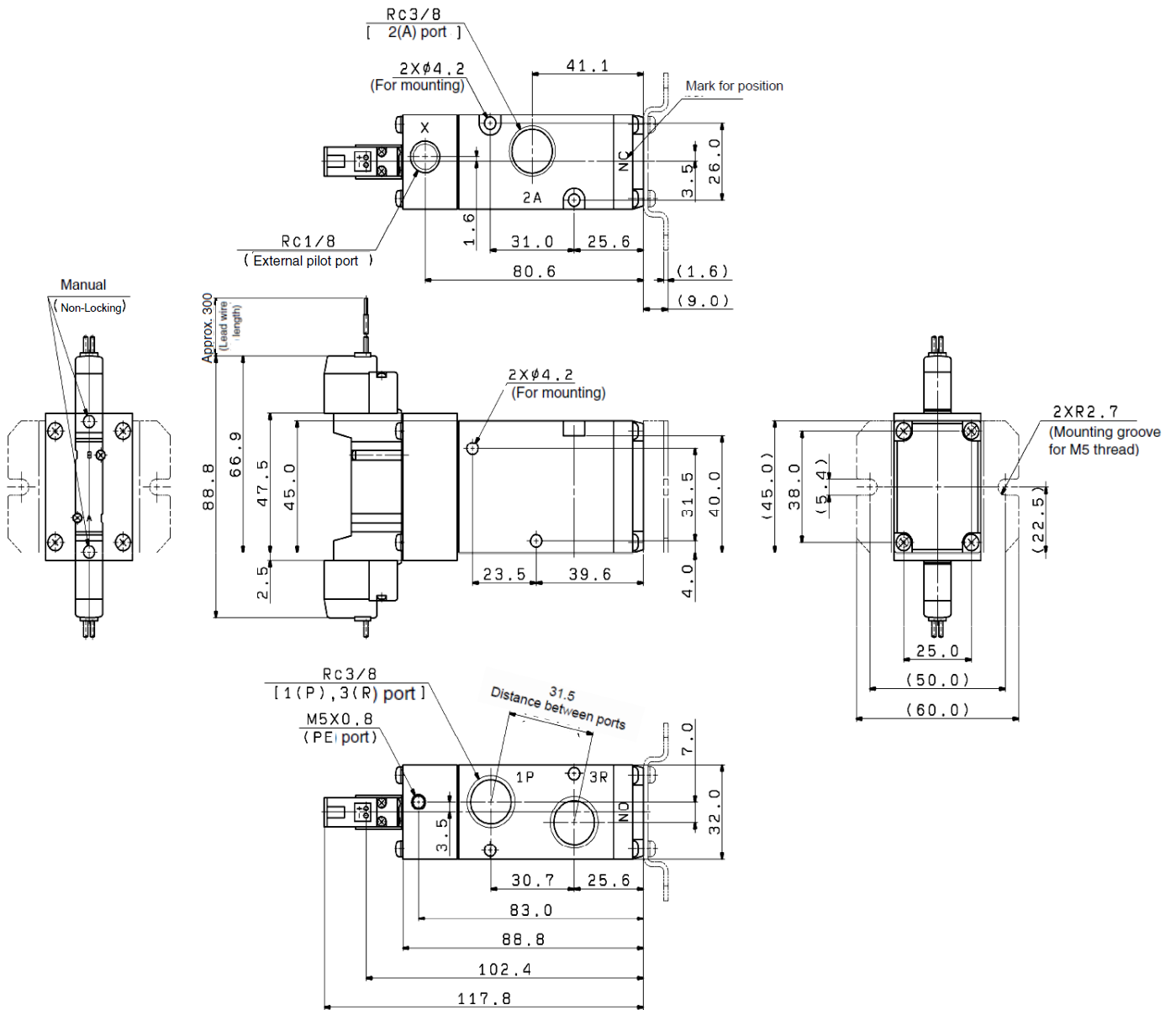
■ Dimensions: mm

VP342R-X20



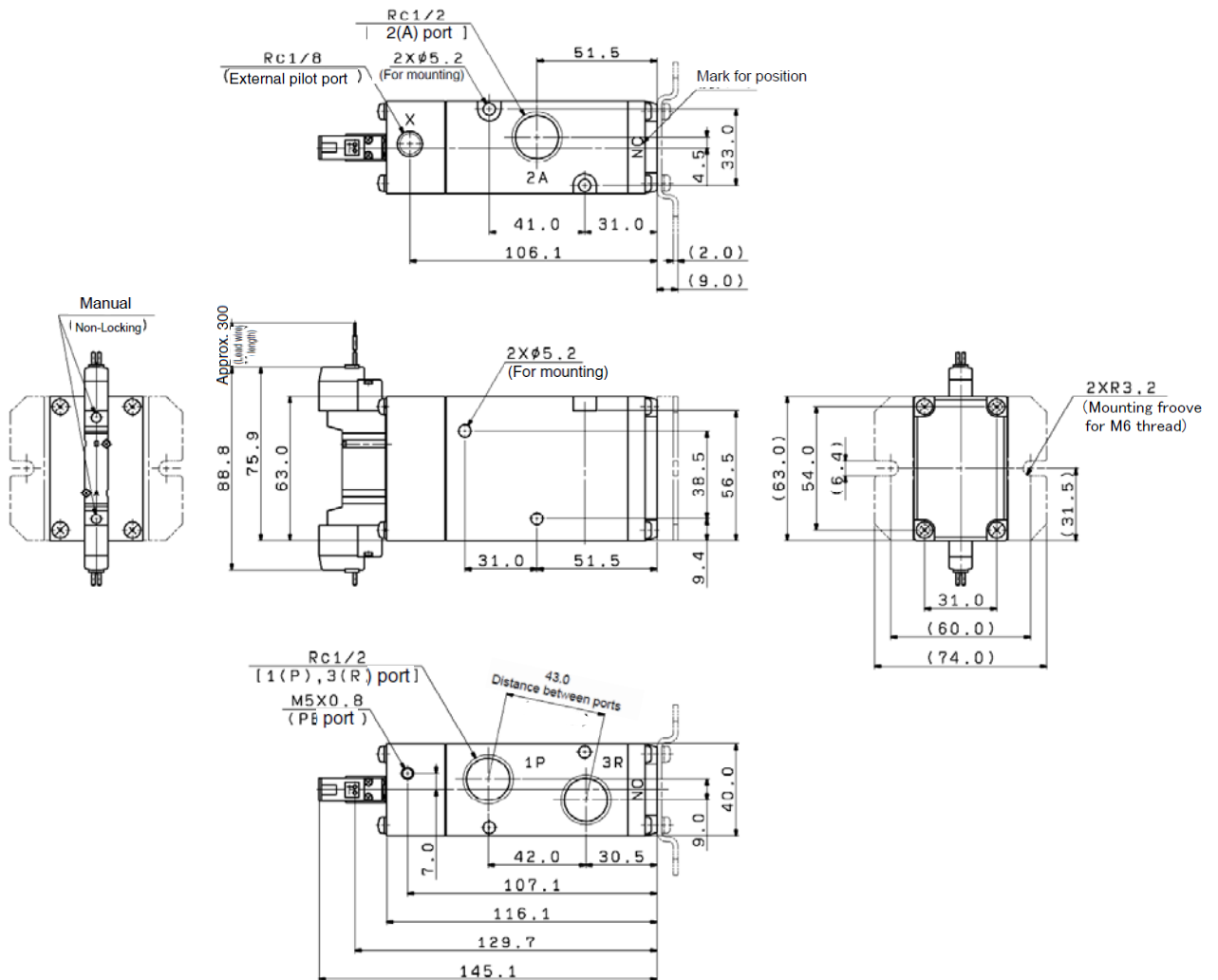
- The above diagrams are examples of VP342R-5G1-02(-F)-X20.

VP542R-X20



- The above diagrams are examples of VP542R-5G1-03(-F)-X20.

VP742R-X20



- The above diagrams are examples of VP742R-5G1-04(-F)-X20.

Caution To ensure the safest possible operation of this product, please be sure to thoroughly read the "Safety Instructions" in our "Best Pneumatics" catalog before use.