

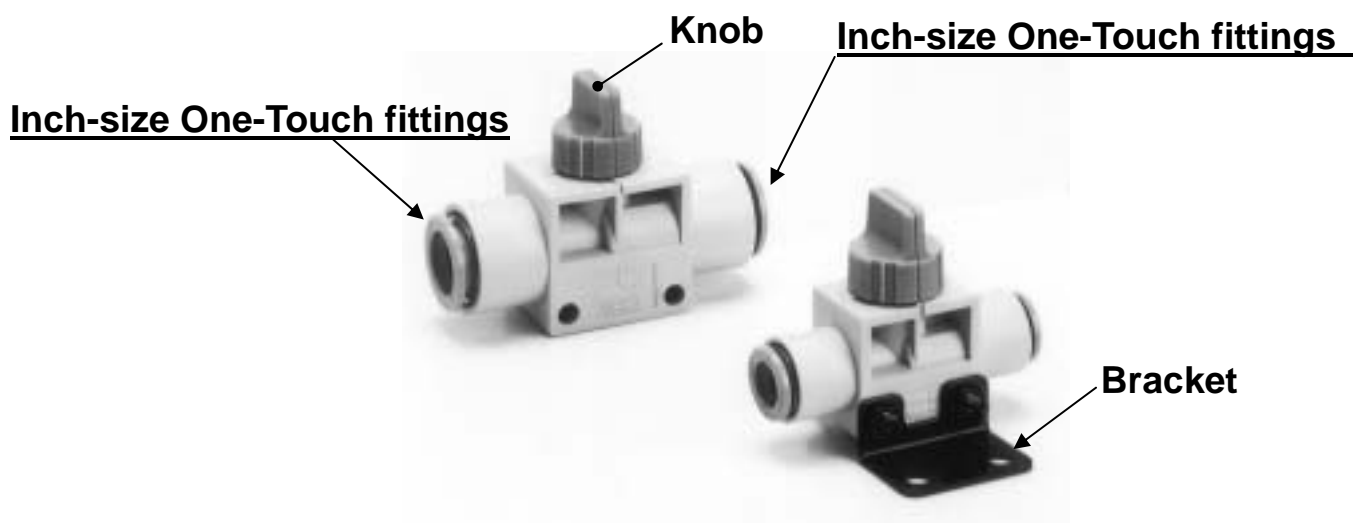
Finger Valve with Inch-size One-touch Fittings

VHK***-X205、209、216

SMC CORPORATION
1-16-4 Shimbashi, Minato-ku
Tokyo 105-0004, JAPAN
URL: <http://www.smcworld.com>

Feature : applicable tube diameter of inch size

1/4 、 3/8 、 5/16



Specifications

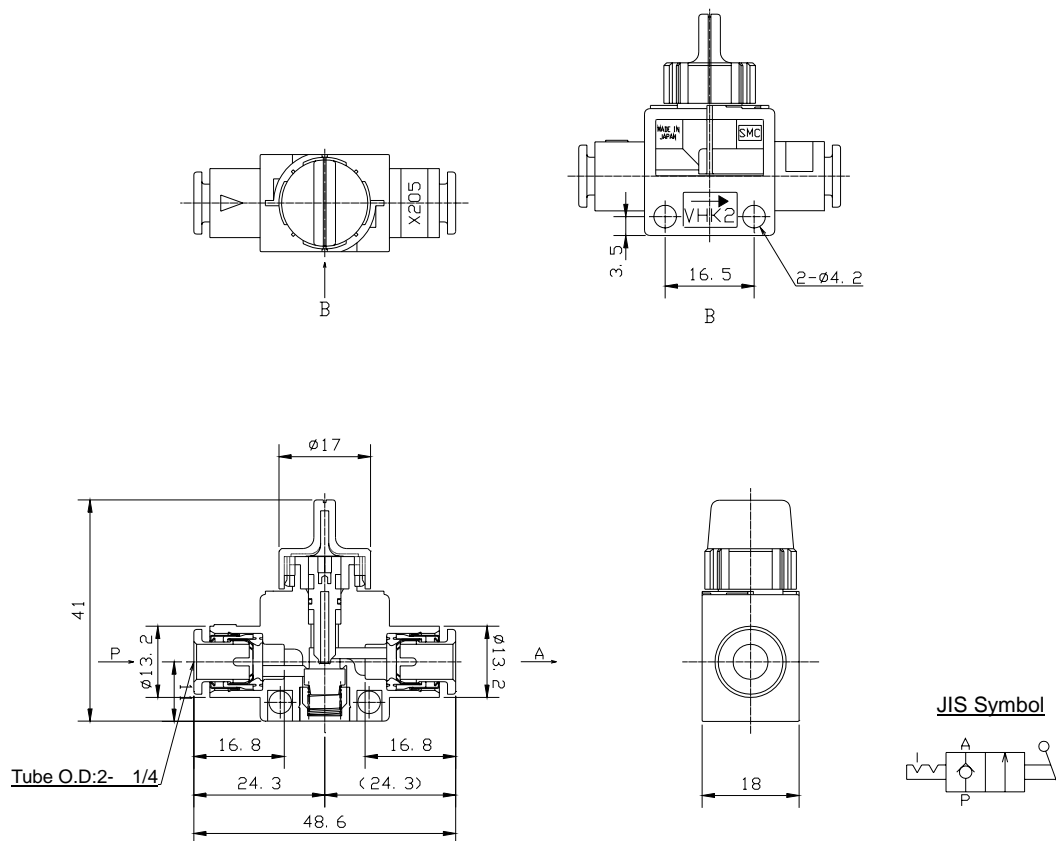
Valve	2/3 port valve
Fluid	Air
Proof pressure	1.5MPa
Maximum operating pressure	1.0MPa
Minimum operating pressure	0.1MPa
Operating vacume pressure	-100kPa (2port valve)
Ambient and fluid temperature	- 5 to 60°C (No freezing)
Applicable tube material	Nylon, Soft nylon, Polyurethane

How to Order

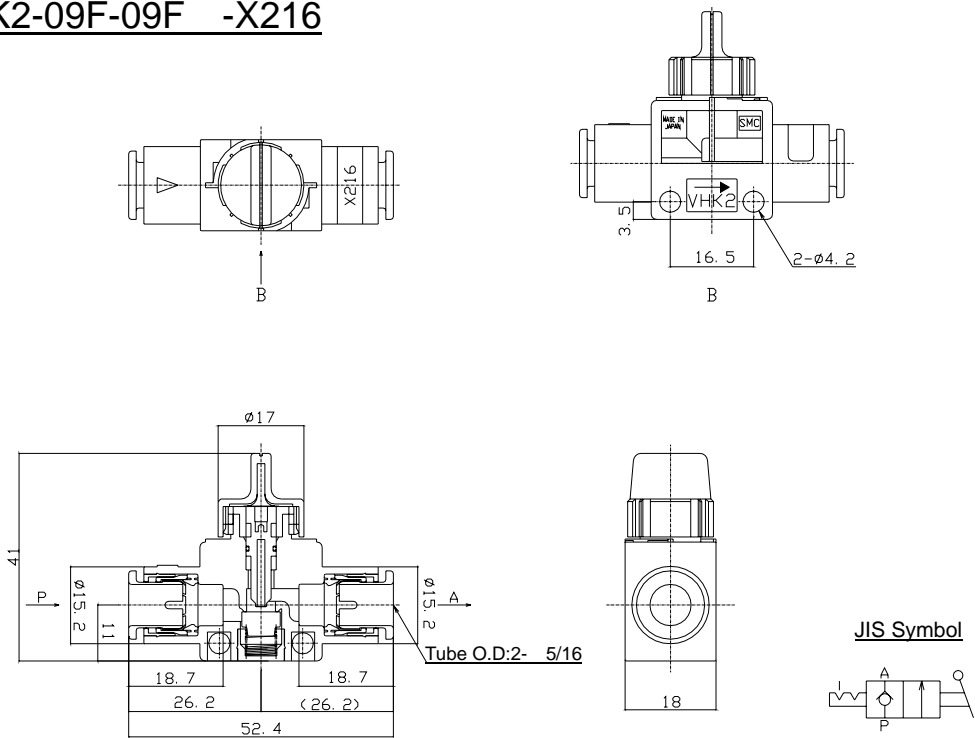
Tube O.D(inch)	Valve model	Knob color	Bracket	Model
1/4"	2ホ-ト	Gray(Standard)	-	VHK2-07F-07F-X205
		Red (R)	-	VHK2-07F-07FR-X205
	3ホ-ト	Blue(Standard)	-	VHK3-07F-07F-X205
		Red (R)	-	VHK3-07F-07FR-X205
		Blue(Standard)	Addition	VHK3-07F-07FL-X205
		Red (R)	Addition	VHK3-07F-07FRL-X205
3/8"	2ホ-ト	Gray(Standard)	-	VHK2-11F-11F-X209
		Red (R)	-	VHK2-11F-11FR-X209
5/16"	2ホ-ト	Gray(Standard)	-	VHK2-09F-09F-X216
		Red (R)	-	VHK2-09F-09FR-X216
	3ホ-ト	Blue(Standard)	-	VHK3-09F-09F-X216
		Red (R)	-	VHK3-09F-09FR-X216

Dimensions: mm

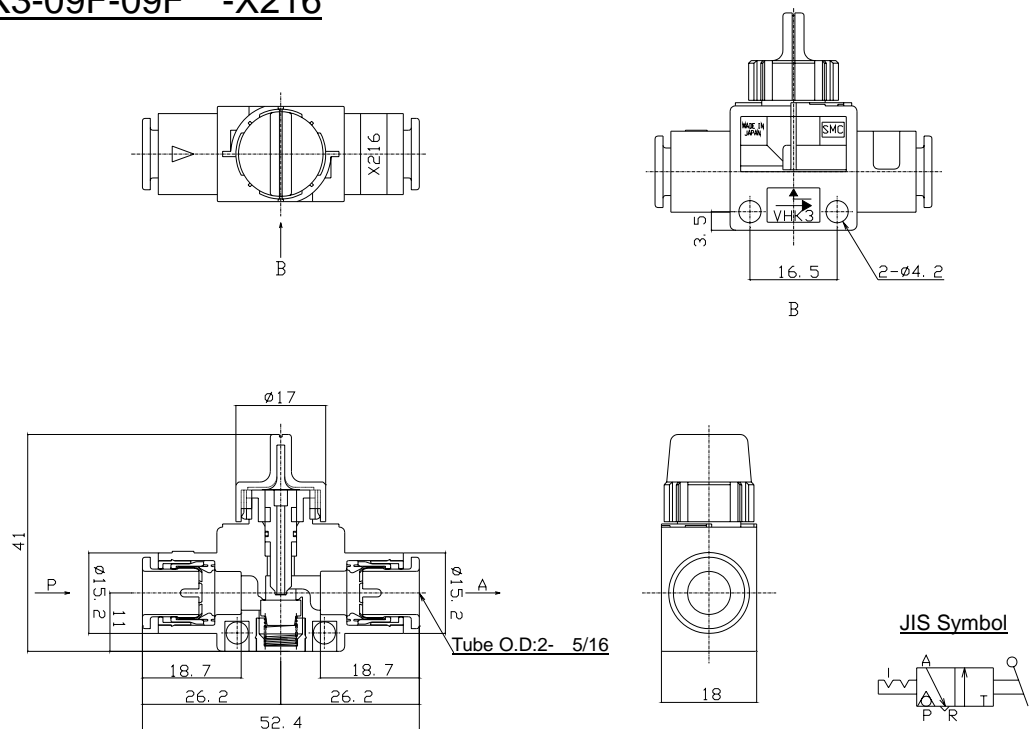
VHK2-07F-07F -X205



VHK2-09F-09F -X216



VHK3-09F-09F -X216



Caution: To ensure the safest possible operation of this product, please be sure to read thoroughly the "Safety Instructions" in our "Best Pneumatics" general catalog before use.