

Auto Drain Valve(Bore size:Rc1/4、3/8、1/2)

SMC CORPORATION
1-16-4 Shimbashi, Minato-ku
Tokyo 105-0004, JAPAN
URL: <http://www.smcworld.com>

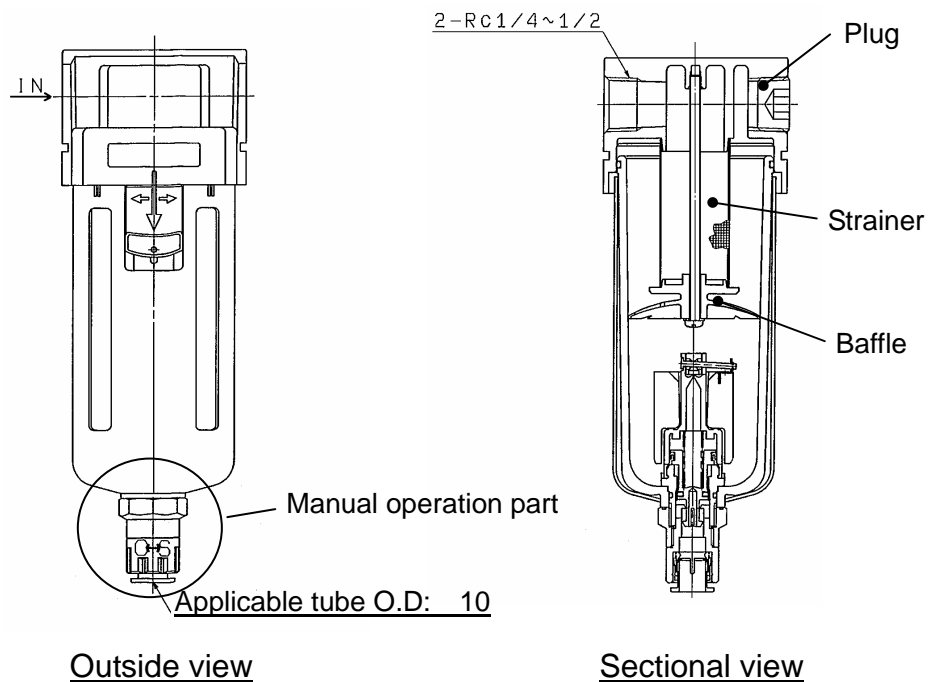
AD-T1-02 ~ 04(-2,-8)

Feature 1: Drainage is discharged automatically.

According to float type structure, Drainage is automatically discharged without a power supply.

Feature 2: Horizontal piping extraction

Bore size: Rc1/4 , Rc3/8 , Rc1/2



Specifications

Auto drain type	Float type
Auto drain valve type	N.0 (Normally open:open in case of pressure loss)
Proof pressure	1.5MPa
Maximum operating pressure	1.0MPa
Operating pressure range	0.1 to 1.0MPa
Fluid	Air
Ambient and fluid temperature	- 5 to 60°C (No freezing)
Piping port size	Rc1/4 · 3/8 · 1/2
Drain discharge port size	One-touch Fitting: 10 (Applicable tube O.D)

How to Order

AD - T1 - -

Port size

02	Rc 1 / 4
03	Rc 3 / 8
04	Rc 1 / 2

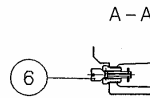
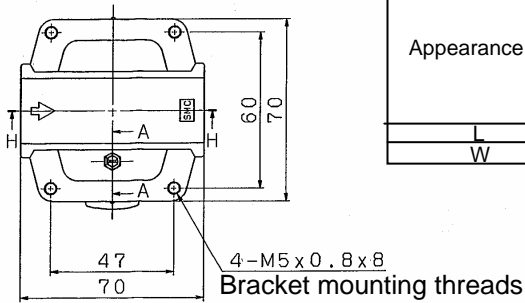
Option

Nil	Polycarbonate bowl
2	Metal bowl
8	Metal bowl with level gauge

Dimensions: mm

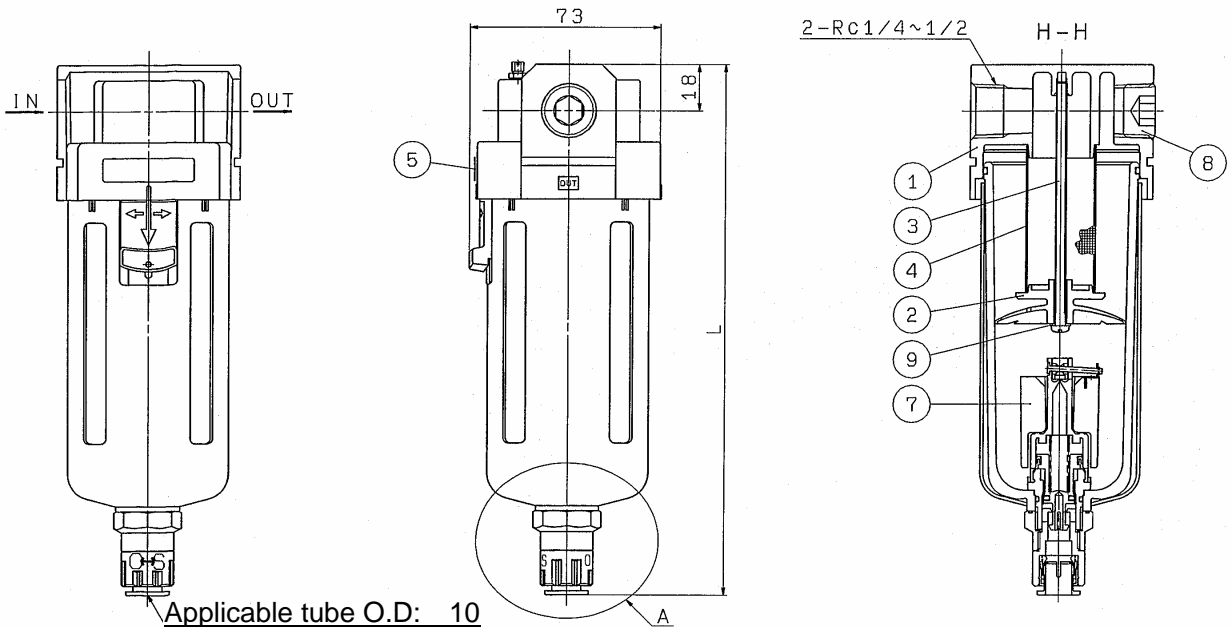
Table1.Float style auto drain assemble A part

Option	Nil	2	8
Part number	AD48	AD48-2	AD48-8
Bowl material	PC	ADC	ADC
Appearance view			
W	204	207	207
			40



Component Parts

NO.	Description
	Body
	Baffle
	Rod
	Strainer
	Label
	Valve assemble
	Float style auto drain assemble
	Hexagon socket head plug
	Gasket



Caution: To ensure the safest possible operation of this product, please be sure to read thoroughly the "Safety Instructions" in our "Best Pneumatics" general catalog before use.