

ATEX Compliant

5 Port Solenoid Valve

Series 56-VQC1000



Manifold with M- or T- kit
II 3G Ex nA IIB T5 Gc
II 3D Ex tc IIIC T80°C Dc

(Note) Refer to Serial transmission system on page 30 for the S kit.

How to Order Manifold

56-VV5QC 1 1 -08 C3 TD0 N - [] M/T/S Kit

• ATEX category 3

Series 56-VQC1000

Base mounted plug-in

Stations

01	1 station
:	:

The minimum or maximum number of stations differs depending on the electrical entry. (Refer to "Electrical Entry/Cable Length")

Cylinder port size

C3	With ø3.2 One-touch fitting
C4	With ø4 One-touch fitting
C6	With ø6 One-touch fitting
M5	M5 thread
CM	Mixed sizes and with port plug
L3	Top ported elbow, with ø3.2 One-touch fitting
L4	Top ported elbow, with ø4 One-touch fitting
L6	Top ported elbow, with ø6 One-touch fitting
L5	M5 thread
LM	Elbow port, mixture sizes
B3	Bottom ported elbow, with ø3.2 One-touch fitting
B4	Bottom ported elbow, with ø4 One-touch fitting
B6	Bottom ported elbow, with ø6 One-touch fitting
B5	M5 thread
BM	Elbow for bottom port, mixture sizes

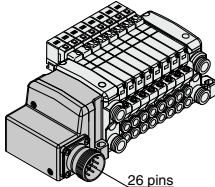
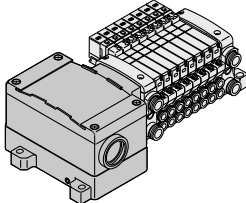
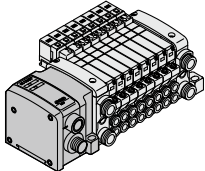
• Option

Nil	None
B	All stations with back pressure check valve
D	With DIN rail (Rail length: Standard)
D□	With DIN rail (Rail length: Special)
K	Special wiring specifications (Except double wiring)
N	With name plate
R	External pilot

• COM

N	-COM.
----------	-------

• Kit designation/Electrical entry/Cable length

M Kit (Circular connector kit)	T Kit (Terminal block box kit)	S Kit (Serial transmission kit: EX500 gateway type)																		
 <p>26 pins</p>		 <p>SI unit: 56-EX500</p> <p>(Note) A separate gateway unit and communication cable are required.</p>																		
<table border="1"> <tr><td>MD0</td><td>Circular connector kit (26P) without cable</td><td>1 to 12 stations</td></tr> <tr><td>MD1</td><td>Circular connector kit (26P) with 1.5 m cable</td><td>stations</td></tr> <tr><td>MD2</td><td>Circular connector kit (26P) with 3 m cable</td><td>(Up to 24 solenoid coils)</td></tr> <tr><td>MD3</td><td>Circular connector kit (26P) with 5 m cable</td><td></td></tr> </table>	MD0	Circular connector kit (26P) without cable	1 to 12 stations	MD1	Circular connector kit (26P) with 1.5 m cable	stations	MD2	Circular connector kit (26P) with 3 m cable	(Up to 24 solenoid coils)	MD3	Circular connector kit (26P) with 5 m cable		<table border="1"> <tr><td>TD0</td><td>Terminal block box kit</td><td>1 to 10 stations (Up to 20 solenoid coils)</td></tr> </table>	TD0	Terminal block box kit	1 to 10 stations (Up to 20 solenoid coils)	<table border="1"> <tr><td>SDA2</td><td>DeviceNet, PROFIBUS DP</td><td>1 to 8 stations (Up to 16 solenoid coils)</td></tr> </table>	SDA2	DeviceNet, PROFIBUS DP	1 to 8 stations (Up to 16 solenoid coils)
MD0	Circular connector kit (26P) without cable	1 to 12 stations																		
MD1	Circular connector kit (26P) with 1.5 m cable	stations																		
MD2	Circular connector kit (26P) with 3 m cable	(Up to 24 solenoid coils)																		
MD3	Circular connector kit (26P) with 5 m cable																			
TD0	Terminal block box kit	1 to 10 stations (Up to 20 solenoid coils)																		
SDA2	DeviceNet, PROFIBUS DP	1 to 8 stations (Up to 16 solenoid coils)																		

* The maximum number of stations displayed in parentheses is applied to the special wiring specifications. (Option "K")
The maximum number of stations is determined by the total number of solenoids. (Single solenoid type: 1 point, Double solenoid type: 2 points)
Make sure that the total number of solenoids does not exceed the maximum number of stations. Additionally, when combining with option parts, make sure that the maximum number of stations is not exceeded.

Contact SMC for 56-EX250 with Profibus DP

All other specifications are the same as the standard products Series VQC.
[Click here](#) for details.

How to Order Valves

56-VQC 1 1 0 0 □ - 5 □

ATEX category 3

Series 56-VQC1000

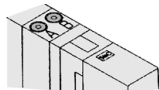
Type of actuation

1	2-position single
2	2-position double (Metal)
2	2-position double (Rubber)
3	3-position closed centre
4	3-position exhaust centre
5	3-position pressure centre
A ^{Note)}	4-position dual 3 port valve (A)
B ^{Note)}	4-position dual 3 port valve (B)
C ^{Note)}	4-position dual 3 port valve (C)

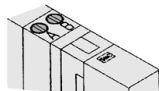
Note) For rubber seal type only.

Manual override

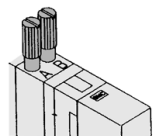
Nil: Non-locking push type (Tool required)



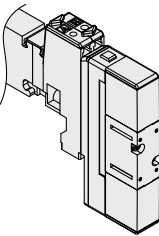
B: Locking type (Tool required)



C: Locking type (Manual)



D: Slide locking type (Manual)



Coil voltage

5	24 VDC
---	--------

Function

Nil	Standard type (1W)
R ^{Note)}	External pilot

Note) Not available for dual 3 port.

Seal type

0	Metal seal
1	Rubber seal

Manifold Option

Ground terminal	56-VQC1000
Blanking plate assembly	VVQ1000-10A-1
Individual SUP spacer	VVQ1000-P-1-C6
Individual EXH spacer	VVQ1000-R-1-C6
SUP block plate	VVQ1000-16A
EXH block plate	—
EXH block base assembly	VVQC1000-19A-□-□□
Back pressure check valve assembly [-B]	VVQ1000-18A
Port plug	VVQ0000-58A
2 stations matching fitting assembly	VVQ1000-52A-C8
Elbow fitting assembly	VVQ1000-F-L-□
Port plug	VVQ0000-58A
Blanking plug	KQ2P-□□
DIN rail mounting bracket [-D]	VVQ1000-57A(-S)
Name plate [-N]	VVQ1000-N-□

Note) Please refer to standard catalogues for details.
Do not use options other than specified in this table.
Only these standard parts without "56-" prefix can be used.

Note) "56-" solenoid valve should be installed in "56-VV5QC11" manifold.
Power consumption when starting is 1W, when maintaining 0.35W.
"56-VQC" solenoid valve has no polarity"

ATEX Compliant

5 Port Solenoid Valve

Series 56-VQC2000



CE Manifold with M- or T- kit
II 3G Ex nA IIB T5 Gc
II 3D Ex tc IIIC T80°C Dc

(Note) Refer to Serial transmission system on page 30 for the S kit.

How to Order Manifolds

56-VV5QC 2 1-08 C4 TD0 N - [] M/T/S Kit

• ATEX category 3

Series 56-VQC2000

Base-Mounted Plug-in

Stations

01	1 station
⋮	⋮

The minimum or maximum number of stations differs depending on the electrical entry (refer to "Electrical entry/Cable length").

Cylinder port size

C4	With ø4 One-touch fitting
C6	With ø6 One-touch fitting
C8	With ø8 One-touch fitting
CM	Mixed sizes and with port plug
L4	Top ported elbow With ø4 One-touch fitting
L6	Top ported elbow With ø6 One-touch fitting
L8	Top ported elbow With ø8 One-touch fitting
LM	Elbow port, mixture sizes
B4	Bottom ported elbow With ø4 One-touch fitting
B6	Bottom ported elbow With ø6 One-touch fitting
B8	Bottom ported elbow With ø8 One-touch fitting
BM	Elbow for bottom port, mixture sizes

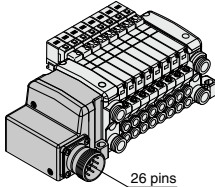
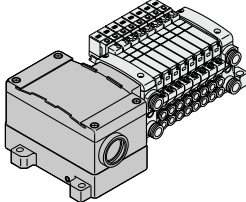
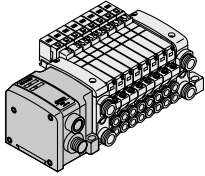
• Options

Nil	None
B	All stations with back pressure check valve
D	With DIN rail (rail length: standard)
D□	With DIN rail (rail length: special)
K	Special wiring specifications (except for double wiring)
N	With name plate
R	External pilot
T	Branched P and R ports on U side

• COM.

N	-COM.
----------	-------

• Kit designation/Electrical entry/Cable length

M Kit (Multiple connector kit)	T Kit (Terminal block box kit)	S Kit (Serial transmission kit: EX500 gateway type)																		
 <p>26 pins</p>		 <p>SI unit: 56-EX500</p> <p>(Note) A separate gateway unit and communication cable are required.</p>																		
<table border="1"> <tr> <td>MD0</td> <td>Multiple connector kit (26P) without cable</td> <td>1 to 12 stations</td> </tr> <tr> <td>MD1</td> <td>Multiple connector kit (26P) with 1.5 m cable</td> <td>stations (Up to 24 solenoid coils)</td> </tr> <tr> <td>MD2</td> <td>Multiple connector kit (26P) with 3 m cable</td> <td></td> </tr> <tr> <td>MD3</td> <td>Multiple connector kit (26P) with 5 m cable</td> <td></td> </tr> </table>	MD0	Multiple connector kit (26P) without cable	1 to 12 stations	MD1	Multiple connector kit (26P) with 1.5 m cable	stations (Up to 24 solenoid coils)	MD2	Multiple connector kit (26P) with 3 m cable		MD3	Multiple connector kit (26P) with 5 m cable		<table border="1"> <tr> <td>TD0</td> <td>Terminal block box kit</td> <td>1 to 10 stations (Up to 20 solenoid coils)</td> </tr> </table>	TD0	Terminal block box kit	1 to 10 stations (Up to 20 solenoid coils)	<table border="1"> <tr> <td>SDA2</td> <td>DeviceNet, PROFIBUS DP</td> <td>1 to 8 stations (Up to 16 solenoid coils)</td> </tr> </table>	SDA2	DeviceNet, PROFIBUS DP	1 to 8 stations (Up to 16 solenoid coils)
MD0	Multiple connector kit (26P) without cable	1 to 12 stations																		
MD1	Multiple connector kit (26P) with 1.5 m cable	stations (Up to 24 solenoid coils)																		
MD2	Multiple connector kit (26P) with 3 m cable																			
MD3	Multiple connector kit (26P) with 5 m cable																			
TD0	Terminal block box kit	1 to 10 stations (Up to 20 solenoid coils)																		
SDA2	DeviceNet, PROFIBUS DP	1 to 8 stations (Up to 16 solenoid coils)																		

* The maximum number of stations displayed in parentheses is applied to the special wiring specifications. (Option "K")
The maximum number of stations is determined by the total number of solenoids. (Single solenoid type: 1 point, Double solenoid type: 2 points)
Make sure that the total number of solenoids does not exceed the maximum number of stations. Additionally, when combining with option parts, make sure that the maximum number of stations is not exceeded.

Contact SMC for 56-EX250 with Profibus DP.

All other specifications are the same as the standard products Series VQC.
[Click here](#) for details.

How to Order Valves

56-VQC 2 1 0 0 - **5**

ATEX category 3 ●

Series 56-VQC2000 ●

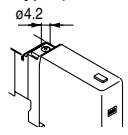
Type of actuation ●

1	2-position single
2	2-position double (Metal)
2	2-position double (Rubber)
3	3-position closed centre
4	3-position exhaust centre
5	3-position pressure centre
A ^{Note)}	4-position dual 3-port valve (A)
B ^{Note)}	4-position dual 3-port valve (B)
C ^{Note)}	4-position dual 3-port valve (C)

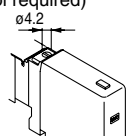
Note) For rubber seal type only.

● **Manual override**

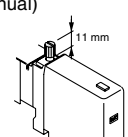
Nil: Non-locking push type (Tool required)



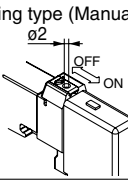
B: Locking type (Tool required)



C: Locking type (Manual)



D: Slide locking type (Manual)



● **Coil voltage**

5	24 VDC
---	--------

● **Function**

Nil	Standard type (1W)
R ^{Note)}	External pilot

Note) Not available for dual 3 port.

● **Seal type**

0	Metal seal
1	Rubber seal

Manifold Options

Name	56-VQC2000
Blanking plate assembly	VVQ2000-10A-1
Individual SUP spacer	VVQ2000-P-1-C8
Individual EXH spacer	VVQ2000-R-1-C8
SUP block plate	VVQ2000-16A
EXH block plate	VVQ2000-19A
EXH block base assembly	—
Back pressure check valve assembly [-B]	VVQ2000-18A
Port plug	VVQ1000-58A
Dual flow fitting assembly	VVQ2000-52A-C10
Elbow fitting assembly	VVQ2000-F-L-□
Port plug	VVQ1000-58A
Blanking plug	KQ2P-□□
DIN rail mounting bracket [-D]	VVQ2000-57A (-S)
Name plate [-N]	VVQ2000-N-□

Notes) □: Please refer to standard catalogues for details.
Do not use options other than specified in this table.
Only these standard parts without "56-" prefix can be used.

Note) "56-" solenoid valve should be installed in "56-VV5QC21" manifold.
Power consumption when starting is 1 W, when maintaining 0.35 W.
"56-VQC" solenoid valve has no polarity.

ATEX Compliant

5 Port Solenoid Valve

Series 56-VQC4000



CE Manifold with M- or T- kit
II 3G Ex nA IIB T5 Gc
II 3D Ex tc IIIC T80°C Dc

Note) Refer to Serial transmission system on page 30 for the S kit.

How to Order Manifolds

56-VV5QC 4 1-08 02 [] TD0 N - [] M/T/S Kit

• ATEX category 3

Series 56-VQC4000

Base-Mounted Plug-in

Stations

01	1 station
⋮	⋮

The maximum number of stations differs depending on the electrical entry (refer to "Electrical entry/Cable length").

Cylinder port size

C8	With ø8 One-touch fitting
C10	With ø10 One-touch fitting
C12	With ø12 One-touch fitting
CM	Mixed sizes
02	1/4 thread
03	3/8 thread
B	Bottom port 1/4

Thread type

Nil	Rc
F	G
N	NPT
T	NPTF

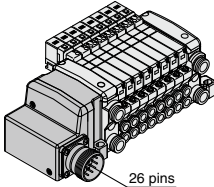
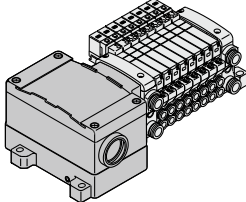
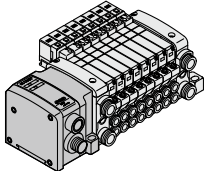
• Options

Nil	None
K	Special wiring specifications (except for double wiring)
N	With name plate (T kit only)

• COM.

N	-COM.
---	-------

• Kit designation/Electrical entry/Cable length

M	Kit (Multiple connector kit)	T	Kit (Terminal block box kit)	S	Kit (Serial transmission kit: EX500 gateway type)			
 <p>26 pins</p>				 <p>SI unit: 56-EX500</p> <p>Note) A separate gateway unit and communication cable are required.</p>				
MD0	Multiple connector kit (26P) without cable	TD0	Terminal block box kit	SDA2	DeviceNet, PROFIBUS DP			
MD1	Multiple connector kit (26P) with 1.5 m cable					1 to 12 stations (Up to 24 solenoid coils)	1 to 10 stations (Up to 20 solenoid coils)	1 to 8 stations (Up to 16 solenoid coils)
MD2	Multiple connector kit (26P) with 3 m cable							
MD3	Multiple connector kit (26P) with 5 m cable							

* The maximum number of stations displayed in parentheses is applied to the special wiring specifications. (Option "K")
The maximum number of stations is determined by the total number of solenoids. (Single solenoid type: 1 point, Double solenoid type: 2 points)
Make sure that the total number of solenoids does not exceed the maximum number of stations. Additionally, when combining with option parts, make sure that the maximum number of stations is not exceeded.

Contact SMC for 56-EX250 with Profibus DP.

All other specifications are the same as the standard products Series VQC.
[Click here](#) for details.

How to Order Valves

56 - VQC 4 1 0 0 □ - 5 □

ATEX category 3

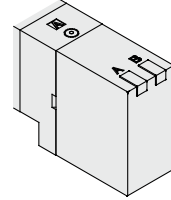
Series 56-VQC4000

Type of actuation

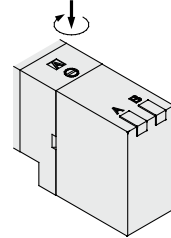
1	2-position single
2	2-position double (Metal)
	2-position double (Rubber)
3	3-position closed centre
4	3-position exhaust centre
5	3-position pressure centre
6	3-position perfect

Manual override

Nil: Non-locking push type (Tool required)



B: Locking type (Tool required)



Coil voltage

5	24 VDC
---	--------

Function

Nil	Standard type (1W)
R ^{Note)}	External pilot

Note) Not available for dual 3 port.

Seal type

0	Metal seal
1	Rubber seal

Manifold Options

Name	56-VQC4000
Blanking plate assembly	VVQ4000-10A-1
Individual SUP spacer	VVQ4000-P-1-□□
Individual EXH spacer	VVQ4000-R-1-□□
SUP block plate	VVQ4000-16A
EXH block plate	VVQ4000-16A
EXH block base assembly	—
Back pressure check valve assembly [-B]	—
Port plug	—
Dual flow fitting assembly	—
Elbow fitting assembly	—
Port plug	—
Blanking plug	KQ2P-□□
DIN rail mounting bracket [-D]	—
Name plate [-N]	—

Notes) □: Please refer to standard catalogues for details.
Do not use options other than specified in this table.
Only these standard parts without "56-" prefix can be used.

Note) "56-" solenoid valve should be installed in "56-VV5QC41" manifold.
Power consumption when starting is 1 W, when maintaining 0.35 W.
"56-VQC" solenoid valve has no polarity.