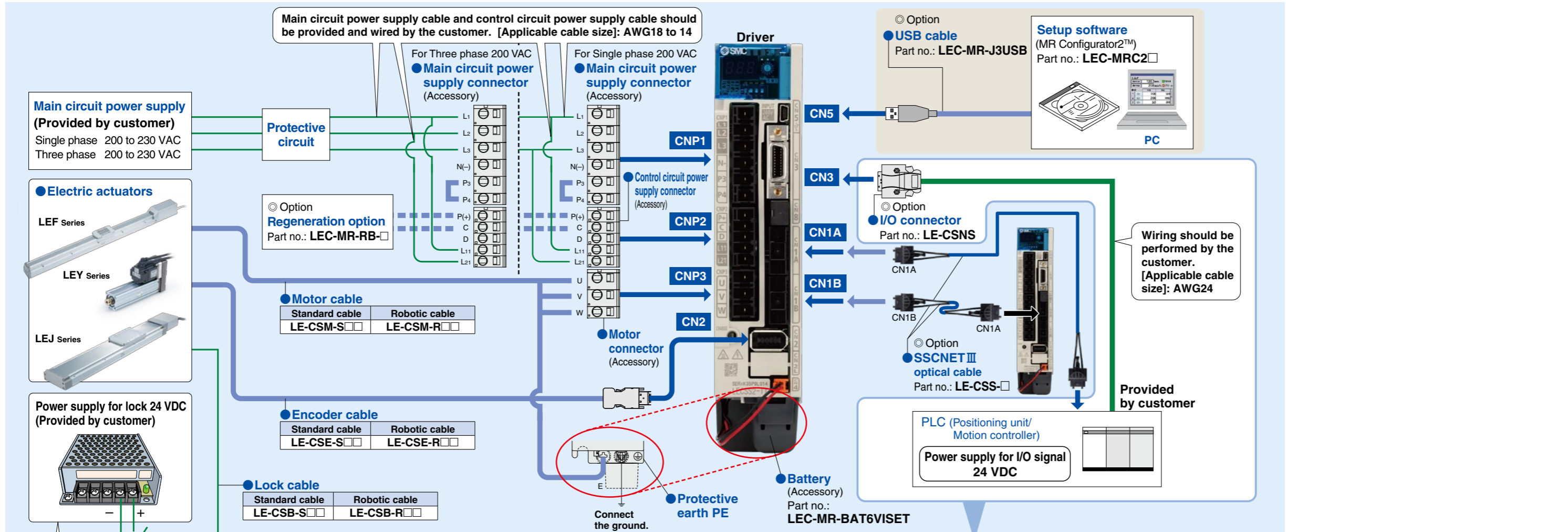
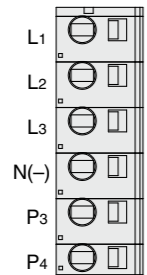


Wiring Method for LECSS-T



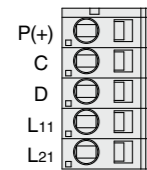
Should be provided separately from the power supply for I/O signal (interface).

Main Circuit Power Supply Connector (Accessory): CNP1



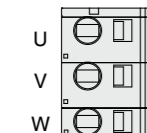
Terminal name	Function	Details
L1	Main circuit power supply	Connect the main circuit power supply. LECSS2-T: Single phase 200 to 230 VAC, 50/60 Hz Connection terminal: L1, L3 LECSS2-T: Three phase 200 to 230 VAC, 50/60 Hz Connection terminal: L1, L2, L3
L2		
L3		
N(-)	Do not connect.	
P3, P4	Connect between P3 and P4. (Connected at time of shipping.)	

Control Circuit Power Supply Connector (Accessory): CNP2



Terminal name	Function	Details
P(+), C, D	Regeneration option	Terminal to connect regeneration option. When the built-in regenerative resistor of the driver is used, connect between P and D. (Connected at time of shipping.) When regeneration option is connected, remove the wiring between P and D, and connect the regeneration option to P and C.
L11, L21	Control circuit power supply	Connect the control circuit power supply. LECSS2-T: Single phase 200 to 230 VAC, 50/60 Hz Connection terminal: L11, L21 LECSS2-T: Three phase 200 to 230 VAC, 50/60 Hz Connection terminal: L11, L21

Motor Connector (Accessory): CNP3



Terminal name	Function	Details
U	Servo motor power (U)	Connect to motor cable (U (Red), V (White), W (Black)).
V	Servo motor power (V)	
W	Servo motor power (W)	

I/O Signal Wiring

I/O connector (Option): CN3

Pin no.	Signal name	Signal name
5	DICOM	Digital I/F power supply input
10	DOCOM	Digital I/F common
3	LG	Control common
11	DI1	(Set by PLC.)
2	DI2	
12	DI3	
19	EM2	* Forced stop 2
20	INP	In position
9	MBR	Electromagnetic brake interlock
13	ALM	* Failure
15	MO1	Analog monitor 1
3	MO2	Analog monitor 2
14	LA	A-phase pulse encoder (Differential line driver)
6	LAR	B-phase pulse encoder (Differential line driver)
16	LB	
7	LBR	Z-phase pulse encoder (Differential line driver)
17	LZ	
8	LZR	
18	LZR	

The *EM2 and *ALM are negative logic. Signal assignments are those in the initial setting status.

Power supply for I/O signal 24 VDC (Provided by customer)
 Power supply cable should be provided and wired by the customer.

