



Operation Manual

PRODUCT NAME

Electric Actuator / Rod Type

《 AC Servo Motor 》

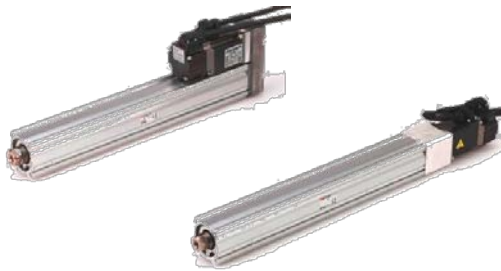
MODEL / Series

LEY Series

Applicable models: LEY□ , LEYG□

LEY Series

(Rod type)



LEYG Series

(Guide Rod type)



SMC Corporation

Safety Instructions	2
1. Procedure before operation.....	4
1.1 Preparation.....	4
1.2 Startup	6
1.3 Gain tuning.....	7
1.3.1 Procedure.....	7
1.3.2 The recommended the parameter for each driver .	8
2. Rod type / LEY Series.....	13
2.1 Specification	13
2.2 How to Order.....	15
2.3 Construction	16
3. Guide rod type / LEYG Series	17
3.1 Specification	17
3.2 How to Order.....	18
3.3 Construction	19
4. Product Outline.....	20
4.1 System construction	20
4.2 Function/Configuration.....	23
5. Wiring of cables / Common precautions	24
6. Electric actuators / Common precautions.....	25
6.1 Design and selection.....	25
6.2 Mounting	26
6.3 Handling	27
6.4 Operating environment	28
6.5 Maintenance.....	29
6.6 Precautions for actuator with lock.....	29
7. Electric actuators / Rod Type Common precautions.....	30
7.1 Design	30
7.2 Selection.....	30
7.3 Handling	30
7.4 Mounting	32
7.5 Precaution on maintenance.....	35
8. Troubleshooting	36
8.1 Alarms and Warning	36



LEY Series / Electric Rod type Safety Instructions

These safety instructions are intended to prevent hazardous situations and /or equipment damage. These instructions indicate the level of potential hazard with the labels of “Caution,” “Warning” or “Danger.” They are all important notes for safety and must be followed in addition to International Standards (ISO /IEC), Japan Industrial Standards (JIS)*1) and other safety regulations*2).

- *1) ISO 4414: Pneumatic fluid power -- General rules relating to systems
ISO 4413: Hydraulic fluid power -- General rules relating to systems
IEC 60204-1: Safety of machinery -- Electrical equipment of machines (Part 1: General requirements)
ISO 10218-1992: Manipulating industrial robots -- Safety
JIS B 8370: General rules for pneumatic equipment.
JIS B 8361: General rules for hydraulic equipment.
JIS B 9960-1: Safety of machinery -- Electrical equipment for machines. (Part 1: General requirements)
JIS B 8433-1993: Manipulating industrial robots - Safety. etc.

*2) Labor Safety and Sanitation Law, etc.



Caution

Caution indicates a hazard with a low level of risk which, if not avoided, could result in minor or moderate injury.



Warning

Warning indicates a hazard with a medium level of risk which, if not avoided, could result in death or serious injury.



Danger

Danger indicates a hazard with a high level of risk which, if not avoided, will result in death or serious injury.

Warning

1. The compatibility of the product is the responsibility of the person who designs the equipment or decides its specifications.

Since the product specified here is used under various operating conditions, its compatibility with specific equipment must be decided by the person who designs the equipment or decides its specifications based on necessary analysis and test results.

The expected performance and safety assurance of the equipment will be the responsibility of the person who has determined its compatibility with the product.

This person should also continuously review all specifications of the product referring to its latest catalog information, with a view to giving due consideration to any possibility of equipment failure when configuring the equipment.

2. Only personnel with appropriate training should operate machinery and equipment.

The product specified here may become unsafe if handled incorrectly.

The assembly, operation and maintenance of machines or equipment including our products must be performed by an operator who is appropriately trained and experienced.

3. Do not service or attempt to remove product and machinery /equipment until safety is confirmed.

The inspection and maintenance of machinery /equipment should only be performed after measures to prevent falling or runaway of the driven objects have been confirmed.

When the product is to be removed, confirm that the safety measures as mentioned above are implemented and the power from any appropriate source is cut, and read and understand the specific product precautions of all relevant products carefully.

Before machinery /equipment is restarted, take measures to prevent unexpected operation and malfunction.

4. Contact SMC beforehand and take special consideration of safety measures if the product is to be used in any of the following conditions.

1) Conditions and environments outside of the given specifications, or use outdoors or in a place exposed to direct sunlight.

2) Installation on equipment in conjunction with atomic energy, railways, air navigation, space, shipping, vehicles, military, medical treatment, combustion and recreation, or equipment in contact with food and beverages, emergency stop circuits, clutch and brake circuits in press applications, safety equipment or other applications unsuitable for the standard specifications described in the product catalog.

3) An application which could have negative effects on people, property, or animals requiring special safety analysis.

4) Use in an interlock circuit, which requires the provision of double interlock for possible failure by using a mechanical protective function, and periodical checks to confirm proper operation.



LEY Series / Electric Rod type Safety Instructions

Caution

The product is provided for use in manufacturing industries.

The product herein described is basically provided for peaceful use in manufacturing industries. If considering using the product in other industries, consult SMC beforehand and exchange specifications or a contract if necessary.
If anything is unclear, contact your nearest sales branch.

Limited warranty and Disclaimer /Compliance Requirements

The product used is subject to the following "Limited warranty and Disclaimer" and "Compliance Requirements".
Read and accept them before using the product.

Limited warranty and Disclaimer

The warranty period of the product is 1 year in service or 1.5 years after the product is delivered.*3) Also, the product may have specified durability, running distance or replacement parts. Please consult your nearest sales branch.

**For any failure or damage reported within the warranty period which is clearly our responsibility, a replacement product or necessary parts will be provided.
This limited warranty applies only to our product independently, and not to any other damage incurred due to the failure of the product.**

Prior to using SMC products, please read and understand the warranty terms and disclaimers noted in the specified catalog for the particular products.

***3) Vacuum pads are excluded from this 1 year warranty.**

A vacuum pad is a consumable part, so it is warranted for a year after it is delivered.

Also, even within the warranty period, the wear of a product due to the use of the vacuum pad or failure due to the deterioration of rubber material are not covered by the limited warranty.

Compliance Requirements

When the product is exported, strictly follow the laws required by the Ministry of Economy, Trade and Industry (Foreign Exchange and Foreign Trade Control Law).

Caution

SMC products are not intended for use as instruments for legal metrology.

Measurement instruments that SMC manufactures or sells have not been qualified by type approval tests relevant to the metrology (measurement) laws of each country.
Therefore, SMC products cannot be used for business or certification ordained by the metrology (measurement) laws of each country.

1. Procedure before operation

1.1 Preparation

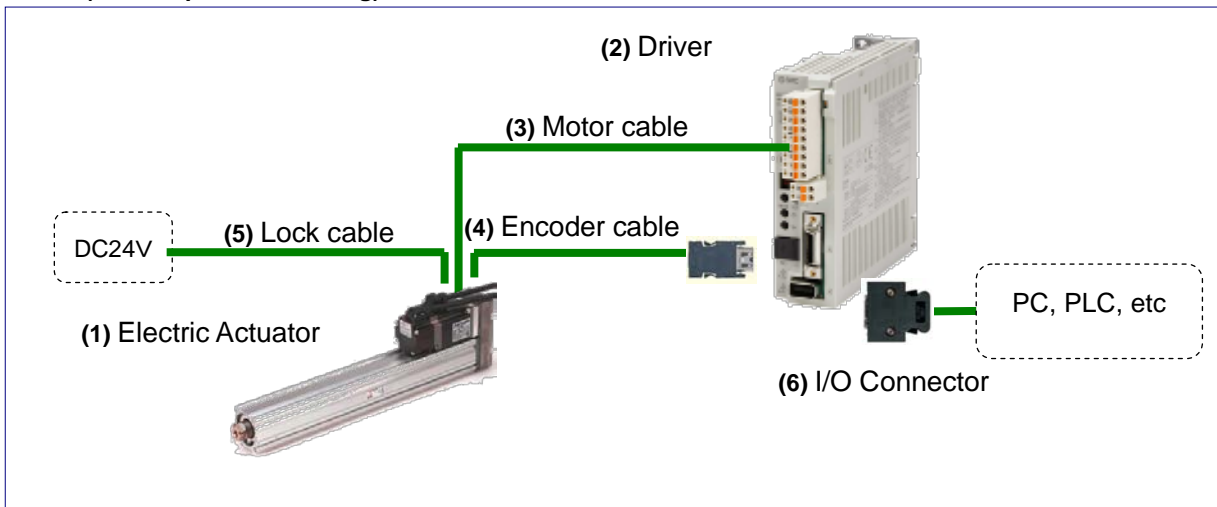
(1) Items to be prepared

Please check on the label, and the quantity of accessories, to confirm that it is the product that was ordered.

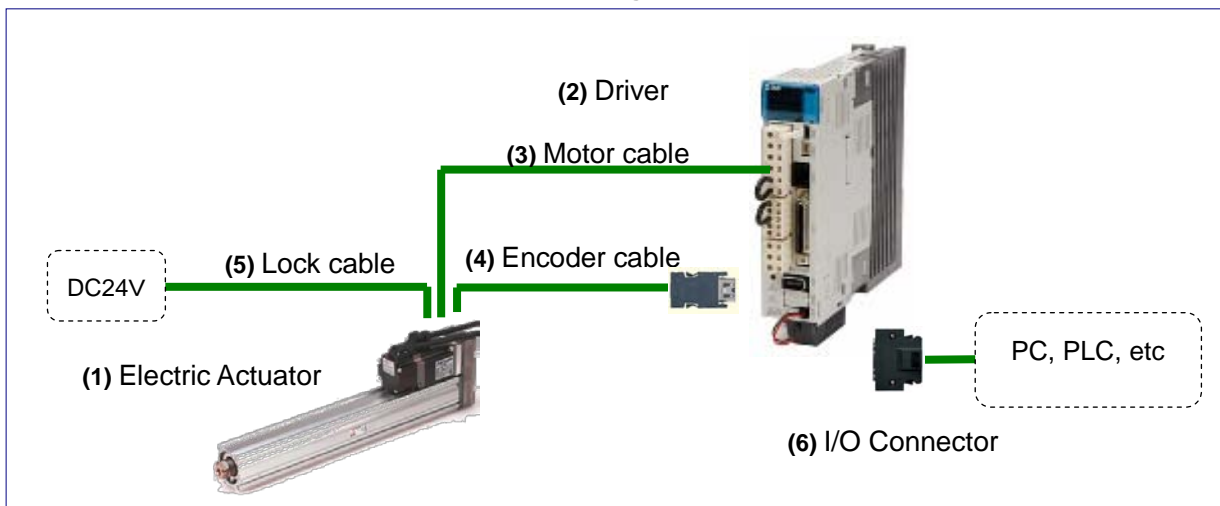
Table 1. Components

No.	Part name	Qty
(1)	Electric Actuator / LEY Series	1
(2)	Driver / LECS Series	1(in case with driver)
(3)	Motor cable	Pre-installed (1) (in case with cable)
(4)	Encoder cable	
(5)	Lock cable	
(6)	I/O Connector	1(in case with I/O connector)

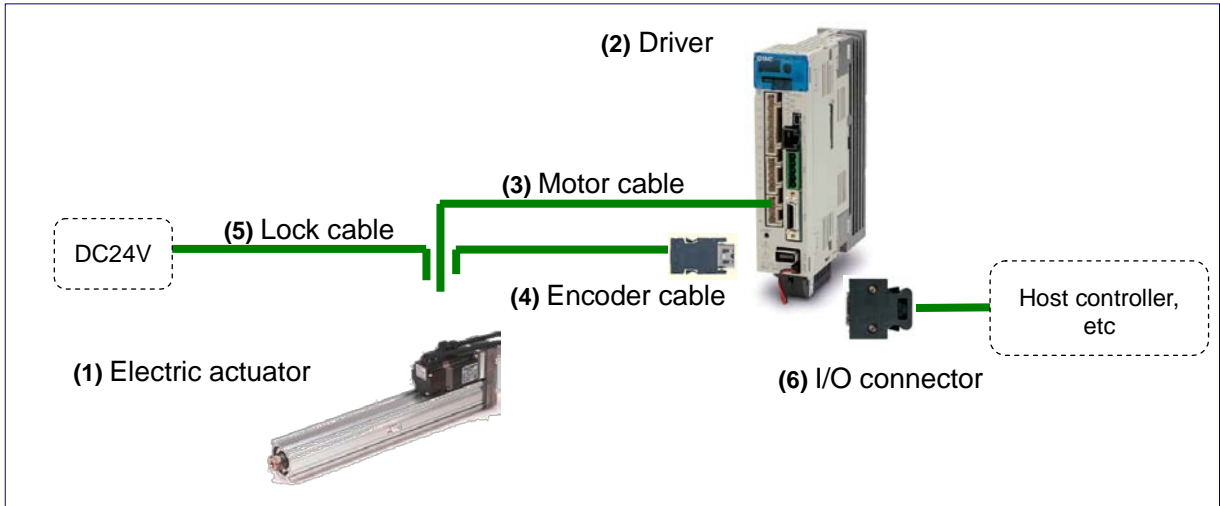
LECSA(Pulse input / Positioning)



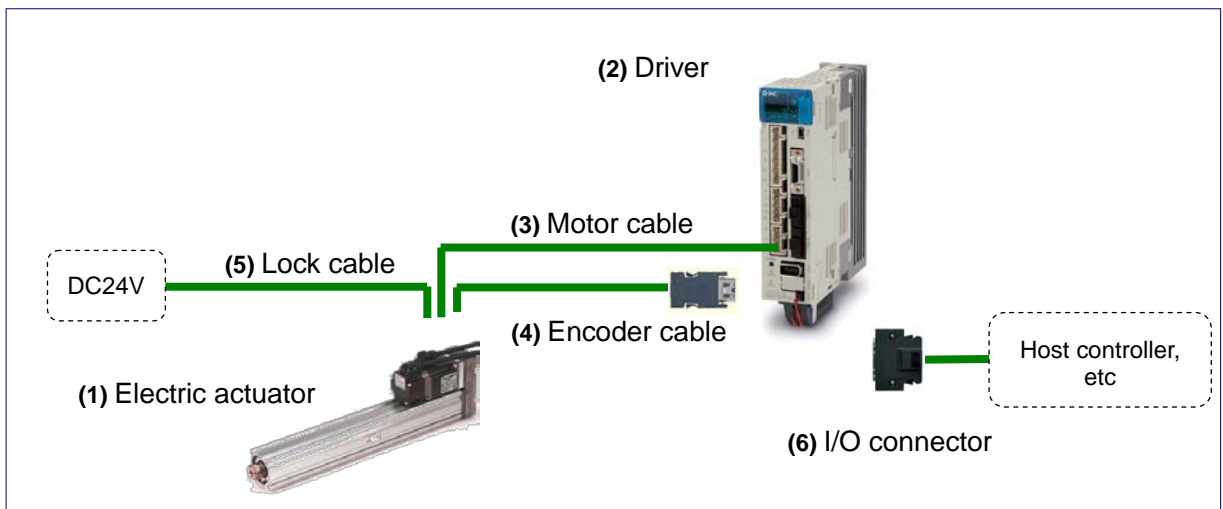
LECSB(Pulse input) / LECSB-T(Pulse input / Positioning)



LECSC / LECSC-T(CC-Link)



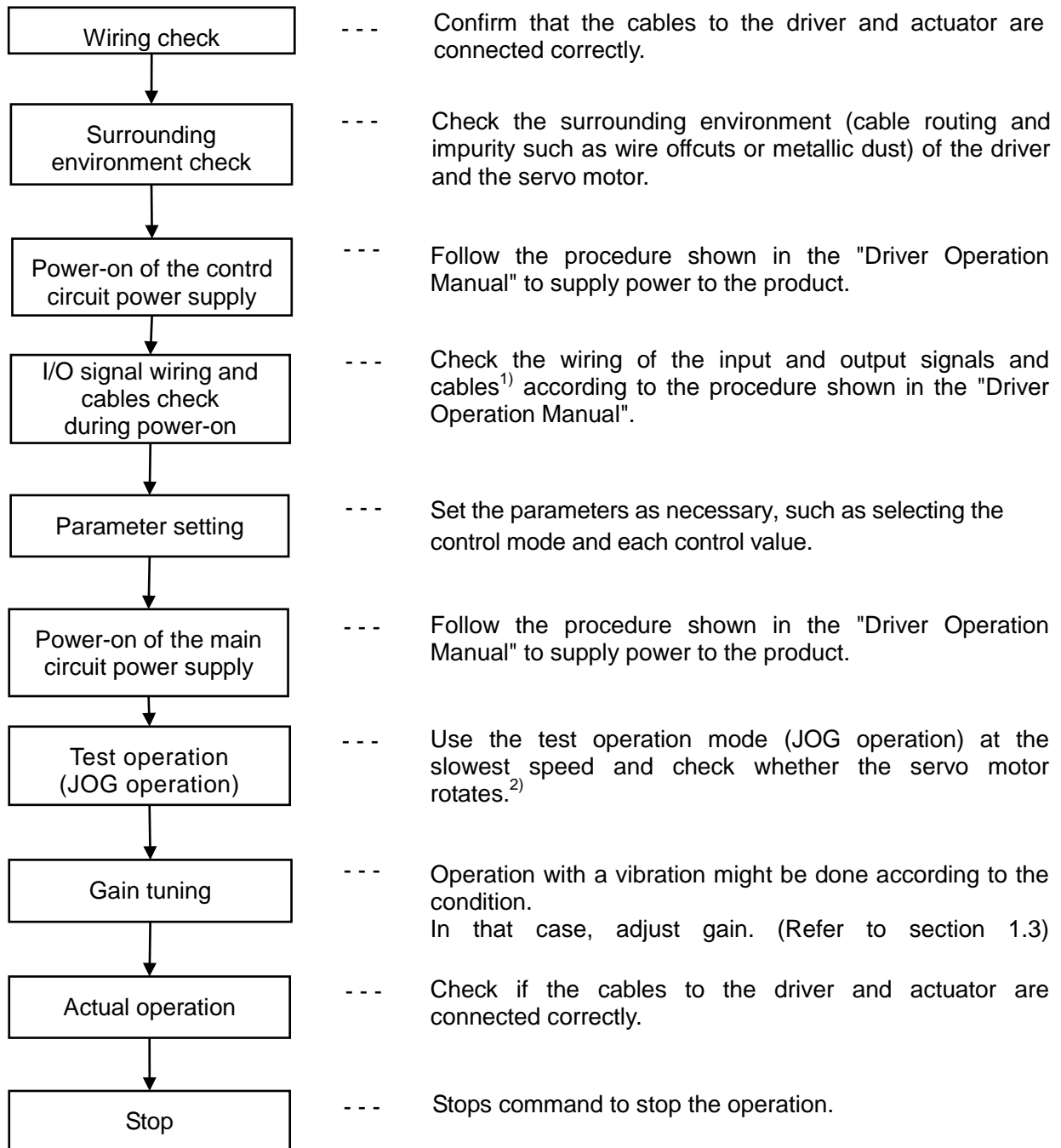
LECSS(SSCNET III) / LECSS-T (SSCNET III / H)



Refer to the “ Electric actuator / Common precautions 6.2 Mounting No.11” for details and for cable connection methods.

1.2 Startup

When switching the power on for the first time, follow the startup procedure below.
Refer to the "Driver operation manual" for wiring method and detailed procedure.



1)CC-Link cable (LECSC, LECSC-T), SSCNETIII cable (LECSS, LECSS-T)

2)When using test operation mode (JOG operation), the LECSC, LECSC-T, LECSS and LECSS-T need the MR-Configurator2™.

1.3 Gain tuning

1.3.1 Procedure

Here are the steps for basic gain tuning.

Refer to the "Driver operation manual" for details and for tuning methods other than shown below.

● For LECSA (Pulse input / Positioning)

A. One-touch tuning

During motor driving, push "AUTO" button on the front of the driver for three seconds.

When display panel becomes "□□", push "AUTO" button again.

⇒ The gain (including filter, etc) is adjusted automatically.

When the error occurs, refer to the "Driver operation manual".

B. Auto tuning (Mode1) 1)

Do this operation, if you are not satisfied with the result of "One-touch tuning".

Set parameter No.PA08 "001". Afterwards, do 1 and 2 alternately.

1. Reduce value of parameter No.PA09 to be less than present value.

2. Operate and ascertain the situation.

⇒ The gain is adjusted automatically.

● For LECSB (Pulse input), LECSC, LECSC-T(CC-Link), LECSS(SSCNETIII)

A. Adaptive filter II

Set parameter No.PB01 "0001" and drive the motor.

⇒ The filter is adjusted automatically.

B. Auto tuning (Mode1)

Do this operation, if you are not satisfied with the result of "Adaptive filter II".

Set parameter No.PA08 "0001". Afterwards, do 1 and 2 alternately.

1. Reduce value of parameter No.PA09 to be less than present value.

2. Operate and ascertain the situation.

⇒ The gain is adjusted automatically.

● For LECST(Pulse input / Positioning), LECSS-T(SSCNET III/H)

A. Auto tuning (Mode1)

Set parameter No.PA08 "0001". Afterwards, do 1 and 2 alternately.

1. Reduce value of parameter No.PA09 to be less than present value.

2. Operate and ascertain the situation.

⇒ The gain is adjusted automatically.

B. Robust filter

Do this operation, if you are not satisfied with the result of "Auto tuning".

Set parameter No.PE41 "0001" and drive the motor.

⇒ The filter is adjusted automatically.

Warning

A mechanical resonance may occur depending on the configuration or the mounting orientation of the transferred object. Please change the appropriate parameter in the initial setting.
Refer to "The recommended the parameter for each driver" for the parameter.

1) The auto tuning mode 1 may not be performed properly if the following conditions are not satisfied.

- Time to reach 2,000rpm is the acceleration/deceleration time constant of 5[s] or less.
- Speed is 150rpm or higher.
- Load to motor inertia is 100 times or less.
- The acceleration/deceleration is 10% or more of the rated torque.

1.3.2 The recommended the parameter for each driver

The recommended the parameter for each driver. Please change the parameter values by use of the customer. Please refer to the manual of the driver for more details.

[LECSA]

Series	LEY25/LEYG25			LEY25D/LEYG25D			LEY32/LEYG32			LEY32D/LEYG32D				
	Lead symbol	A	B	C	A	B	C	A	B	C	A	B	C	
Lead	12	6	3	12	6	3	20	10	5	16	8	4		
Parameter	Para. No	Initial value	Recommended value											
Number of command input pulses per revolution *3	PA05	100	100											
Electronic gear numerator *3	PA06	1	100 (Positioning mode: 10)											
Electronic gear denominator *3	PA07	1	12	6	3	12	6	3	20	10	5	16	8	4
Feed length multiplication (STM) (Multiplier)	PE02	0000	0000 (Less than stroke 1000) / 0001 (Stroke 1000 or more)											
Home position return type	PE03	0010	<input type="checkbox"/> <input type="checkbox"/> <input type="checkbox"/> 3 (Stopper type)											
Home position return direction	PE03	0010	<input type="checkbox"/> <input type="checkbox"/> <input type="checkbox"/> <input type="checkbox"/> 1 (Motor side)											
Home position return Speed (rpm)	PE04	500	150	300	600	150	300	600	90	180	360	112	225	450
Home position return/JOG operation acceleration/deceleration time constants (msec)	PE07	100	600	300	150	600	300	150	1000	500	250	800	400	200
Home position return position data (μm)	PE08	0	-2000(Less than stroke 1000) / -200 (Stroke 1000 or more)											
Stopper type home position return stopper time (msec)	PE10	100	200											
Stopper type home position return torque limit value (%)	PE11	15	30											
Regenerative option	PA02	000	000 (Non)/ 002 (LEC-MR-RB032)											
Rotation direction selection	PA14	0	0 (+: Counter motors side)			1 (+: Counter motors side)			0 (+: Counter motors side)			1 (+: Counter motors side)		
Adaptive tuning mode	PB01	000	000											
Load to motor inertia moment ratio	PB06	7	7											
Machine resonance suppression filter 1	PB13	4500	4500											
Notch shape selection 1	PB14	000	000											

Series	LEY63				LEY63D				
	Lead symbol	A	B	C	L	A	B	C	
Lead	20	10	5	5(2.86) <small>(Pulley ratio 4/7)</small>	20	10	5		
Parameter	Para. No	Initial value	Recommended value						
Number of command input pulses per revolution *3	PA05	100	100						
Electronic gear numerator *3	PA06	1	100 (10)			35 (7)		100 (10)	
Electronic gear denominator *3	PA07	1	20	10	5	1(2)	20	10	5
Feed length multiplication (STM) (Multiplier)	PE02	0000	0000 (Less than stroke 1000) / 0001 (Stroke 1000 or more)						
Home position return type	PE03	0010	<input type="checkbox"/> <input type="checkbox"/> <input type="checkbox"/> 3 (Stopper type)						
Home position return direction	PE03	0010	<input type="checkbox"/> <input type="checkbox"/> <input type="checkbox"/> <input type="checkbox"/> 1 (Motor side)						
Home position return Speed (rpm)	PE04	500	90	180	360	629	90	180	360
Home position return/JOG operation acceleration/deceleration time constants (msec)	PE07	100	1000	500	250	143	1000	500	250
Home position return position data (μm)	PE08	0	-4000(Less than stroke 1000) / -400 (Stroke 1000 or more)						
Stopper type home position return stopper time (msec)	PE10	100	200						
Stopper type home position return torque limit value (%)	PE11	15	30						
Regenerative option	PA02	000	000 (Non)/ 002 (LEC-MR-RB032)/ 003 (LEC-MR-RB12)						
Rotation direction selection	PA14	0	0 (+: Counter motors side)				1 (+: Counter motors side)		
Adaptive tuning mode	PB01	000	000						
Load to motor inertia moment ratio	PB06	7	7						
Machine resonance suppression filter 1	PB13	4500	4500						
Notch shape selection 1	PB14	000	000						

*1 Parameter is the recommended value. Please change the parameter to make appropriate value for your operating method.

*2 A mechanical resonance may occur depending on the configuration or the mounting orientation of the transferred object. Please change the parameter in the initial setting.

*3 When the positioning mode is not set: The travel distance of the actuator per 1 pulse should be 10 [μm/pulse].
When the positioning mode is set: The minimum unit of the travel distance of the actuator should be 1 [μm].

[LECSB]

Series	LEYG25			LEYG25D			LEYG32			LEYG32D							
	Lead symbol			A	B	C	A	B	C	A	B	C					
	Lead			12	6	3	12	6	3	20	10	5	16	8	4		
Parameter	Para. No	Initial value	Recommended value														
Number of command input pulses per revolution *3	PA05	0	0														
Electronic gear numerator *3	PA06	1	32768			65536			32768			65536			32768		
Electronic gear denominator *3	PA07	1	150	75	75	150	75	75	250	125	125	200	100	50			
Regenerative option	PA02	0000	0000 (Non)/ 0002 (LEC-MR-RB032)														
Rotation direction selection	PA14	0	0 (+: Counter motors side)			1 (+: Counter motors side)			0 (+: Counter motors side)			1 (+: Counter motors side)					
Adaptive tuning mode	PB01	0000	0000														
Load to motor inertia moment ratio	PB06	7	7														
Machine resonance suppression filter 1	PB13	4500	4500														
Notch shape selection 1	PB14	0000	0000														

Series	LEY63				LEY63D												
	Lead symbol				A	B	C	L	A	B	C						
	Lead				20	10	5	5(2.86) (Pulley ratio 4/7)	20	10	5						
Parameter	Para. No	Initial value	Recommended value														
Number of command input pulses per revolution *3	PA05	0	0														
Electronic gear numerator *3	PA06	1	32768			65536			114688			32768			65536		
Electronic gear denominator *3	PA07	1	250	125	125	125	250	125	125								
Regenerative option	PA02	0000	0000 (Non)/ 0002 (LEC-MR-RB032)/ 0003 (LEC-MR-RB12)														
Rotation direction selection	PA14	0	0 (+: Counter motors side)					1 (+: Counter motors side)									
Adaptive tuning mode	PB01	0000	0000														
Load to motor inertia moment ratio	PB06	7	7														
Machine resonance suppression filter 1	PB13	4500	4500														
Notch shape selection 1	PB14	0000	0000														

*1 Parameter is the recommended value. Please change the parameter to make appropriate value for your operating method.

*2 A mechanical resonance may occur depending on the configuration or the mounting orientation of the transferred object. Please change the parameter in the initial setting.

*3 The travel distance of the actuator per 1 pulse should be 10 [µm/pulse].

[LESC]

Series	Lead symbol		LEY25/LEYG25			LEY25D/ EYG25D			LEY32/LEYG32			LEY32D/ EYG32D		
			A	B	C	A	B	C	A	B	C	A	B	C
			12	6	3	12	6	3	20	10	5	16	8	4
Parameter	Para. No	Initial value	Recommended value											
Electronic gear numerator *3	PA06	1	32768											
Electronic gear enominator *3	PA07	1	1500	750	375	1500	750	375	2500	1250	625	2000	1000	500
Feel length multiplication (STM) (Multiplier)	PA05	0000	0000 (Less than stroke 1000) / 0001 (Stroke 1000 or more)											
Home position return type	PC02	0000	□□□3 (Stopper type)											
Home position return direction	PC03	0001	□□□1 (Motor side)											
Home position return Speed (rpm)	PC04	500	150	300	600	150	300	600	90	180	360	112	225	450
Home position return position data (μm)	PC07	0	-2000(Less than stroke 1000) / -200 (Stroke 1000 or more)											
Stopper type home position return stopper time (msec)	PC09	100	200											
Stopper type home position return torque limit value (%)	PC10	15	30											
Regenerative option	PA02	0000	0000 (Non)/ 0002 (LEC-MR-RB032)											
Rotation direction selection	PA14	0	0 (+: Counter motors side)		1 (+: Counter motors side)			0 (+: Counter motors side)			1 (+: Counter motors side)			
Adaptive tuning mode	PB01	0000	0000											
Load to motor inertia moment ratio	PB06	7	7											
Machine resonance suppression filter 1	PB13	4500	4500											
Notch shape selection 1	PB14	0000	0000											

Series	Lead symbol		LEY63				LEY63D		
			A	B	C	L	A	B	C
			20	10	5	5(2.86) (Pulley ratio 4/7)	20	10	5
Parameter	Para. No	Initial value	Recommended value						
Electronic gear numerator *3	PA06	1	32768			57344	32768		
Electronic gear enominator *3	PA07	1	2500	1250	625	625	2500	1250	625
Feel length multiplication (STM) (Multiplier)	PA05	0000	0000 (Less than stroke 1000) / 0001 (Stroke 1000 or more)						
Home position return type	PC02	0000	□□□3 (Stopper type)						
Home position return direction	PC03	0001	□□□1 (Motor side)						
Home position return speed (rpm)	PC04	500	90	180	360	629	90	180	360
Home position return position data (μm)	PC07	0	-4000(Less than stroke 1000) / -400 (Stroke 1000 or more)						
Stopper type home position return stopper time (msec)	PC09	100	200						
Stopper type home position return torque limit value (%)	PC10	15	30						
Regenerative option	PA02	0000	0000 (Non)/ 0002 (LEC-MR-RB032)/ 0003 (LEC-MR-RB12)						
Rotation direction selection	PA14	0	0 (+: Counter motors side)				1 (+: Counter motors side)		
Adaptive tuning mode	PB01	0000	0000						
Load to motor inertia moment ratio	PB06	7	7						
Machine resonance suppression filter 1	PB13	4500	4500						
Notch shape selection 1	PB14	0000	0000						

*1 Parameter is the recommended value. Please change the parameter to make appropriate value for your operating method.

*2 A mechanical resonance may occur depending on the configuration or the mounting orientation of the transferred object. Please change the parameter in the initial setting.

*3 The minimum unit of the travel distance of the actuator should be 1 [μm].

[LECSS]

Series			LEY25/LEYG25			LEY25D/LEYG25D			LEY32/LEYG32			LEY32D/LEYG32D		
	Lead symbol		A	B	C	A	B	C	A	B	C	A	B	C
	Lead		12	6	3	12	6	3	20	10	5	16	8	4
Parameter	Para. No	Initial value	Recommended value											
Regenerative option	PA02	0000	0000 (Non)/ 0002 (LEC-MR-RB032)											
Rotation direction selection	PA14	0	0 (+: Counter motors side)			1 (+: Counter motors side)			0 (+: Counter motors side)			1 (+: Counter motors side)		
Adaptive tuning mode	PB01	0000	0000											
Load to motor inertia moment ratio	PB06	7	7											
Machine resonance suppression filter 1	PB13	4500	4500											
Notch shape selection 1	PB14	0000	0000											

Series			LEY63				LEY63D		
	Lead symbol		A	B	C	L	A	B	C
	Lead		20	10	5	5(2.86) (Pulley raito 4/7)	20	10	5
Parameter	Para. No	Initial value	Recommended value						
Regenerative option	PA02	0000	0000 (Non)/ 0002 (LEC-MR-RB032)/ 0003 (LEC-MR-RB12)						
Rotation direction selection	PA14	0	0 (+: Counter motors side)			1 (+: Counter motors side)			
Adaptive tuning mode	PB01	0000	0000						
Load to motor inertia moment ratio	PB06	7	7						
Machine resonance suppression filter 1	PB13	4500	4500						
Notch shape selection 1	PB14	0000	0000						

*1 Parameter is the recommended value. Please change the parameter to make appropriate value for your operating method.

*2 A mechanical resonance may occur depending on the configuration or the mounting orientation of the transferred object. Please change the parameter in the initial setting.

* For LECSS, please set the electronic gear with PC, PLC etc. in your application.

[LECSB-T]

Series	Lead symbol		LEY25/LEYG25			LEY25D/LEYG25D			LEY32/LEYG32			LEY32D/LEYG32D		
			A	B	C	A	B	C	A	B	C	A	B	C
	Lead	Initial value	12	6	3	12	6	3	20	10	5	16	8	4
Parameter *1,*2	Para. No	Initial value	Recommended value											
Number of command input pulses per revolution *3.	PA05	10000	10000											
Electronic gear numerator *3.	PA06	1	262144											
Electronic gear denominator *3.	PA07	1	(Position control mode)											
			1200	600	300	1200	600	300	2000	1000	500	1600	800	400
			(Positioning mode)											
			12000	6000	3000	12000	6000	3000	20000	10000	5000	16000	8000	4000
Function selection A-3	PA21	0001	2001 (J3 electronic gear setting value compatibility mode)											
Feel length multiplication (STM) (Multiplier)	PT03	0000	0000 (<1000 stroke)/0001 (>1000 stroke)											
Home position return type	PT04	0010	□□□3 (Stopper type)											
Home position return direction	PT04	0010	□□1□ (Motor side)											
Home position return Speed (rpm)	PT05	500	150	300	600	150	300	600	90	180	360	112	225	450
Home position return position data (μm)	PT08	0	-2000 (<1000 stroke)/-200 (>1000 stroke)											
Stopper type home position return stopper time (msec)	PT10	100	200											
Stopper type home position return torque limit value (%)	PT11	15	24											
Regenerative option	PA02	0000	0000 (Non)/0002 (LEC-MR-RB-032)											
Rotation direction selection *4	PA14	0	0 (+:Counter motors side)			1 (+:Counter motors side)			0 (+:Counter motors side)			1 (+:Counter motors side)		
Load to motor inertia moment ratio	PB06	7	7											
Function selection E-3	PE41	0000	0000											

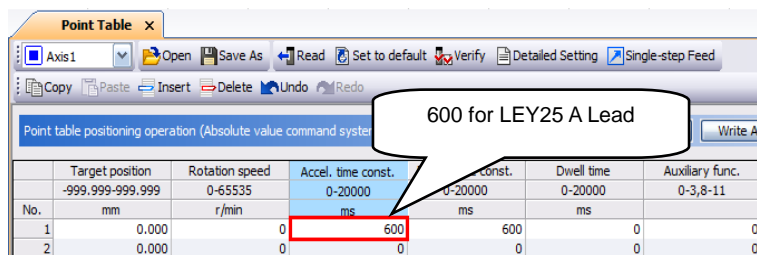
Series	Lead symbol		LEY63				LEY63D			
			A	B	C	L	A	B	C	
	Lead (Including pulley ratio)	Initial value	20	10	5	5(2.86) (Pulley ratio 4/7)	20	10	5	
Parameter *1,*2	Para. No	Initial value	Recommended value							
Number of command input pulses per revolution *3.	PA05	10000	10000							
Electronic gear numerator *3.	PA06	1	262144				1835008		262144	
Electronic gear denominator *3.	PA07	1	(Position control mode)							
			2000	1000	500	2000	2000	1000	500	
			(Positioning mode)							
			20000	10000	5000	20000	20000	10000	5000	
Function selection A-3	PA21	0001	2001 (J3 electronic gear setting value compatibility mode)							
Feel length multiplication (STM) (Multiplier)	PT03	0000	0000 (<1000 stroke)/0001 (>1000 stroke)							
Home position return type	PT04	0010	□□□3 (Stopper type)							
Home position return direction	PT04	0010	□□1□ (Motor side)							
Home position return Speed (rpm)	PT05	500	90	180	360	629	90	180	360	
Home position return position data (μm)	PT08	0	-4000 (<1000 stroke)/-400 (>1000 stroke)							
Stopper type home position return stopper time (msec)	PT10	100	200							
Stopper type home position return torque limit value (%)	PT11	15	24							
Regenerative option	PA02	0000	0000 (Non)/0002 (LEC-MR-RB-032)/0003 (LEC-MR-RB-12)							
Rotation direction selection	PA14	0	0 (+:Counter motors side)				1 (+:Counter motors side)			
Load to motor inertia moment ratio	PB06	7	7							
Function selection E-3	PE41	0000	0000							

- *1. Parameter is set to the recommended value. Please set parameter according to customer application.
- *2. Mechanical resonance may occur depending on the shape or mounting orientation of the work piece. Please change this parameter during initial configuration.
(Parameter initial configuration ⇒ Set the recommended parameter value ⇒ Operation start)
- *3. Other than positioning mode: Actuator travel distance at 10 [μm/pulse] per pulse.
Positioning Mode: Minimum actuator travel distance of 1[μm].

Recommended Value of acceleration time constant of Point table No.1 [LEY]

Series	Lead symbol	LEY25/LEYG25			LEY25D/LEYG25D			LEY32/LEYG32			LEY32D/LEYG32D		
		A	B	C	A	B	C	A	B	C	A	B	C
		Lead	12	6	3	12	6	3	20	10	5	16	8
Point table No.1	Initial value	Recommended value											
Home position return acceleration time constant (msec) *5	0	600	300	150	600	300	150	1000	500	250	800	400	200

Series	Lead symbol	LEY63				LEY63D		
		A	B	C	L	A	B	C
		Lead (Including pulley ratio)	20	10	5	5(2.86) (Pulley ratio 4/7)	20	10
Point table No.1	Initial value	Recommended value						
Home position return acceleration time constant (msec) *5	0	1000	500	250	143	1000	500	250



*5. Use the acceleration time constant of Point table No.1 as the acceleration time constant (msec) of Home position return. Set the recommended value in the above figure. Refer to "LECSB2-T□ Operation Manual (Simplified Edition)", section 5.7 for how to set the Point table.

[LECS-C-T]

Series			LEY25/LEYG25			LEY25D/LEYG25D			LEY32/LEYG32			LEY32D/LEYG32D		
	Lead symbol		A	B	C	A	B	C	A	B	C	A	B	C
	Lead		12	6	3	12	6	3	20	10	5	16	8	4
Parameter *1,*2	Para. No	Initial value	Recommended value											
Electronic gear numerator *3	PA06	1	32768											
Electronic gear denominator *3	PA07	1	1500	750	375	1500	750	375	2500	1250	625	2000	1000	500
Feel length multiplication (STM) (Multiplier)	PA05	0000	0000 (Less than stroke 1000) / 0001 (Stroke 1000 or more)											
Home position return type	PC02	0000	□□□3 (Stopper type)											
Home position return direction	PC03	0001	□□□1 (Motor side)											
Home position return Speed (rpm)	PC04	500	150	300	600	150	300	600	90	180	360	112	225	450
Home position return position data (μm)	PC07	0	-2000(Less than stroke 1000) / -200(Stroke 1000 or more)											
Stopper type home position return stopper time (msec)	PC09	100	200											
Stopper type home position return torque limit value (%)	PC10	15	24											
Regenerative option	PA02	0000	0000 (Non)/ 0002 (LEC-MR-RB-032)											
Rotation direction selection	PA14	0	0 (+: Counter motors side)			1 (+: Counter motors side)			0 (+: Counter motors side)			1 (+: Counter motors side)		
Adaptive tuning mode	PB01	0000	0000											
Load to motor inertia moment ratio	PB06	7	7											
Machine resonance suppression filter 1	PB13	4500	4500											
Notch shape selection 1	PB14	0000	0000											

Series			LEY63				LEY63D		
	Lead symbol		A	B	C	L	A	B	C
	Lead (Including pulley ratio)		20	10	5	5(2.86) (Pulley ratio 4/7)	20	10	5
Parameter *1,*2	Para. No	Initial value	Recommended value						
Electronic gear numerator *3	PA06	1	32768			57344	32768		
Electronic gear denominator *3	PA07	1	2500	1250	625	625	2500	1250	625
Feel length multiplication (STM) (Multiplier)	PA05	0000	0000 (Less than stroke 1000) / 0001 (Stroke 1000 or more)						
Home position return type	PC02	0000	□□□3 (Stopper type)						
Home position return Direction	PC03	0001	□□□1 (Motor side)						
Home position return speed (rpm)	PC04	500	90	180	360	629	90	180	360
Home position return position data (μm)	PC07	0	-4000 (Less than stroke 1000) / -400(Stroke 1000 or more)						
Stopper type home position return stopper time (msec)	PC09	100	200						
Stopper type home position return torque limit value (%)	PC10	15	24						
Regenerative option	PA02	0000	0000 (Non)/ 0002 (LEC-MR-RB-032)/ 0003 (LEC-MR-RB-12)						
Rotation direction selection	PA14	0	0 (+: Counter motors side)			1 (+: Counter motors side)			
Adaptive tuning mode	PB01	0000	0000						
Load to motor inertia moment ratio	PB06	7	7						
Machine resonance suppression filter 1	PB13	4500	4500						
Notch shape selection 1	PB14	0000	0000						

- *1 Parameter is the recommended value. Please change the parameter to the appropriate value for the operating method.
- *2 A mechanical resonance may occur depending on the configuration or the mounting orientation of the transferred object. Please change the parameter in the initial setting.
- *3 The minimum unit of the travel distance of the actuator should be 1 [μm].

[LECSS-T]

Series	LEY25T6 / LEYG25T6			LEY25DT6 / LEYG25DT6			LEY32T7 / LEYG32T7			LEY32DT7 / LEYG32DT7				
	Lead symbol			A	B	C	A	B	C	A	B	C		
	Lead			12	6	3	12	6	3	20	10	5	16	8
Parameter	Para. No	Initial value	Recommended value											
Regenerative option	PA02	0000	0000 (Non)/ 0002 (LEC-MR-RB-032)											
Rotation direction selection	PA14	0	0 (+: Counter motors side)			1 (+: Counter motors side)			0 (+: Counter motors side)			1 (+: Counter motors side)		
Load to motor inertia moment ratio	PB06	7	7											
Function selection E-3	PE41	0000	0000											

Series	LEY63T8						LEY63DT8					
	Lead symbol						A	B	C			
	Lead						20	10	5	2.86	20	10
Parameter	Para. No	Initial value	Recommended value									
Regenerative option	PA02	0000	0000 (Non)/ 0002 (LEC-MR-RB-032)/ 0003 (LEC-MR-RB-12)									
Rotation direction selection	PA14	0	0 (+: Counter motors side)						1 (+: Counter motors side)			
Load to motor inertia moment ratio	PB06	7	7									
Function selection E-3	PE41	0000	0000									

*1 Parameter is the recommended value. Please change the parameter to make appropriate value for your operating method.

*2 A mechanical resonance may occur depending on the configuration or the mounting orientation of the transferred object. Please change the parameter in the initial setting.

* For LECSS2-T□, please set the electronic gear with PC, PLC etc. in your application.

2. Rod type / LEY Series

2.1 Specification

Model		LEY25(Top/Parallel)/ LEY25D(In-line)			LEY32 (Top/Parallel)			LEY32D (In-line)			LEY63 (Top/Parallel)														
		LEY63D (In-line)																							
Actuator specifications	Work load [kg]	Horizontal ^{Note 1)}	18	50	50	30	60	60	30	60	60	40	70	80	200										
		Vertical	8	16	30	9	19	37	12	24	46	19	38	72	115										
	Force [N] ^{Note 2)}		(Set value LEY25S/32S: 15 to 30%)		65	127	242	79	154	294	98	192	368	156	304	573	1003								
			(Set value LEY63S : 15 to 50%)		~131	~255	~485	~157	~308	~588	~197	~385	~736	~521	~1012	~1910	~3343								
			(Set value LEY25T/32T : 12 to 24%)																						
			(Set value LEY63T : 12 to 40%)																						
	Maximum Speed ^{Note 3)} [mm/s]	Range of stroke	to 300	900	450	225	1200	600	300	1000	500	250	1000	500	250	70									
			305 to 400	600	300	150																			
			405 to 500	-	-	-											800	400	200	640	320	160			
			505 to 600	-	-	-											-	-	-	-	-	-	800	400	200
			605 to 700	-	-	-											-	-	-	-	-	-	600	300	150
			705 to 800	-	-	-	-	-	-	-	-	500	250	125											
	Pushing speed [mm/s] ^{Note 4)}		35 or less			30 or less			30 or less																
	acceleration/deceleration [mm/s ²]		5,000			5,000			5,000				3,000												
Positioning repeatability [mm]		±0.02[Basic type] / ±0.01[High precision type]																							
Lost motion [mm]		0.1 or less[Basic type] / 0.05 or less[High precision type]																							
Lead [mm] (Including pulley ratio)		12	6	3	20	10	5	16	8	4	20	10	5	2.86											
Impact resistance/vibration Resistance [m/s ²] ^{Note 5)}		50 / 20			50 / 20			50 / 20																	
Drive method		Ball screw and Belt [1:1] / Ball screw			Ball screw and Belt [1.25:1]			Ball screw			Ball screw		Ball screw and Belt [4:7]												
Guide type		Sliding bush (Piston rod part)			Sliding bush (Piston rod part)			Sliding bush (Piston rod part)																	
Operating temperature range [°C]		5 to 40			5 to 40			5 to 40																	
Operating humidity range [%RH]		90 or less (No condensation)			90 or less (No condensation)			90 or less (No condensation)																	
Electric specifications	Motor output/size		100W / □40			200W / □60			400W / □60																
	Type of Motor		AC servo motor (100/200VAC)			AC servo motor (100/200VAC)			AC servo motor (200VAC)																
	Encoder		[Motor type: S2, S3, S4]: Incremental 17bit encoder (Resolution: 131072 p/rev) [Motor type: S6, S7, S8]: Absolute 18bit encoder (Resolution: 262144 p/rev) [Motor type: T6, T7, T8]: (Driver type: LECSB-T/LECSS-T) Absolute 22bit encoder (Resolution: 4194304 p/rev) (Driver type: LECSC-T) Absolute 18bit encoder (Resolution: 262144 p/rev)																						
Lock unit specifications	Type ^{Note 6)}		Non-magnetizing lock																						
	Holding force [N]		131	255	607	607	607	588	197	385	736	313	607	1146	2006										
	Power consumption [W] at 20 °C ^{Note 7)}		6.3			7.9			7.9																
	Rated voltage [V]		24VDC ^U -10%																						

Note 1) The maximum value of the horizontal workload. (An external guide is necessary [Coefficient of friction: 0.1 or less]).
The actual workload will depend on the type of external guide.

Note 2) The force setting range (set values for the driver) for the force control with the torque control mode. Set it with reference to "Force Conversion Graph" of the catalog
The driver applicable to the pushing operation is "LECSB-T", "LECSS", and "LECSS-T."
The LECSB-T is only applicable when the control method is positioning. The point table is used to set the pushing operation settings.
To set the pushing operation settings, an additional dedicated file (pushing operation extension file) must be downloaded separately to be used with the setup software (MR Configurator2™: LEC-MRC2□).
Please download this dedicated file from the SMC website: <https://www.smcworld.com/>
When selecting the LECSS or LECSS-T, combine it with a master station (such as the Simple Motion module manufactured by Mitsubishi Electric Corporation) which has a pushing operation function.

Note 3) The allowable speed changes by the stroke.

Note 4) Allowable impact speed when "impact work" in torque control mode, etc.

Note 5) Impact resistance: No malfunction occurred when the actuator was tested with a drop tester in both an axial direction and perpendicular direction to the lead screw. (The test was performed with the actuator in the initial state.)

Vibration resistance: No malfunction occurred in a test ranging between 45 to 2000 Hz, when the actuator was tested in both an axial direction and a perpendicular direction to the lead screw. (The test was performed with the actuator in the initial state.)

Note 6) Only when the motor option, "with lock", is selected.

Note 7) For an actuator with lock, add the power consumption for the lock.

[Product Weight]

[kg]

Model		LEY25 (Top/Parallel)										LEY25D (In-line)											
Stroke [mm]		30	50	100	150	200	250	300	350	400	-	-	30	50	100	150	200	250	300	350	400	-	-
Motor type	Incremental Encoder(S2)	1.3	1.4	1.6	1.8	2.0	2.2	2.3	2.5	2.7	-	-	1.3	1.4	1.6	1.8	2.0	2.2	2.4	2.5	2.7	-	-
	Absolute Encoder(S6)	1.4	1.4	1.6	1.9	2.1	2.2	2.4	2.6	2.8	-	-	1.4	1.5	1.6	1.9	2.1	2.3	2.4	2.6	2.8	-	-
	Absolute Encoder(T6)	1.4	1.5	1.6	1.9	2.0	2.2	2.4	2.6	2.7	-	-	1.4	1.5	1.6	1.9	2.1	2.2	2.4	2.6	2.8	-	-

Model		LEY32 (Top/Parallel)										LEY32D (In-line)											
Stroke [mm]		30	50	100	150	200	250	300	350	400	450	500	30	50	100	150	200	250	300	350	400	450	500
Motor type	Incremental Encoder(S3)	2.4	2.5	2.8	3.3	3.6	3.9	4.1	4.4	4.7	5.0	5.3	2.4	2.6	2.8	3.3	3.6	3.9	4.2	4.4	4.7	5.0	5.3
	Absolute Encoder(S7)	2.4	2.5	2.8	3.2	3.5	3.8	4.1	4.4	4.6	4.9	5.2	2.4	2.5	2.8	3.3	3.5	3.8	4.1	4.4	4.7	4.9	5.2
	Absolute Encoder(T7)	2.3	2.4	2.7	3.2	3.5	3.8	4.1	4.3	4.6	4.9	5.2	2.4	2.5	2.8	3.2	3.5	3.8	4.1	4.4	4.6	4.9	5.2

Model		LEY63 (Top/Parallel)												
Stroke [mm]		50	100	150	200	250	300	350	400	450	500	600	700	800
Motor type	Incremental Encoder(S4)	4.9	5.4	6.0	6.6	7.8	8.3	8.9	9.4	10.0	10.5	12.2	13.4	14.5
	Absolute Encoder(S8)	5.0	5.5	6.1	6.7	7.9	8.4	9.0	9.5	10.1	10.6	12.3	13.5	14.6
	Absolute Encoder(T8)	4.9	5.4	6.0	6.6	7.8	8.3	8.9	9.4	10.0	10.5	12.2	13.4	14.5

Model		LEY63D (In-line)												
Stroke [mm]		50	100	150	200	250	300	350	400	450	500	600	700	800
Motor type	Incremental Encoder(S4)	5.1	5.6	6.2	6.7	7.9	8.4	9.0	9.6	10.2	10.7	12.4	13.5	14.7
	Absolute Encoder(S8)	5.2	5.7	6.3	6.8	8.0	8.5	9.1	9.7	10.3	10.8	12.5	13.6	14.8
	Absolute Encoder(T8)	5.1	5.6	6.2	6.7	7.9	8.4	9.0	9.6	10.2	10.7	12.4	13.5	14.7

[Additional weight for lock]

[kg]

Size		25	32	63
Lock	Incremental Encoder [Motor type: S2, S3, S4]	0.20	0.40	0.4
	Absolute Encoder [Motor type: S6, S7, S8]	0.30	0.66	0.6
	Absolute Encoder [Motor type: T6, T7, T8]	0.30	0.40	0.40
Rod end male thread	Part of male thread	0.03	0.03	0.12
	Nut	0.02	0.02	0.04
Foot style (Body mounting bolt is included, 2sets)		0.08	0.14	0.26
Rod side flange style (Body mounting bolt is included)		0.17	0.20	0.51
Motor side flange style (Body mounting bolt is included)			-	-
Double clevis style (Clevis pin, Type C retaining ring for axis, Body mounting bolt is included)		0.16	0.22	0.58

2.2 How to Order

LEY **H** **25** **S2** **B** - **100** **S** **2** **A1**

① ② ③ ④ ⑤ ⑥ ⑦ ⑧ ⑨ ⑩ ⑪ ⑫ ⑬ ⑭

① Accuracy

Nil	Basic type
H	High precision type

② Size

25
32
63

③ Motor mounting position

Nil	Top mountin
R	Right side parallel
L	Left side parallel
D	In-line

⑤ Lead[mm]

symbol	LEY25	LEY32	LEY63
A	12	16(20)	20
B	6	8(10)	10
C	3	4(5)	5
L	-	-	-(2.86)

④ Motor type

Symbol	Type	Output [W]	Size	Compatible driver
S2	AC servo motor (Incremental encoder)	100	25	LECSA□-S1
S3		200	32	LECSA□-S3
S4		400	63	LECSA2-S4
S6	AC servo motor (Absolute encoder)	100	25	LECSB□-S5 LECSC□-S5 LECSS□-S5
S7		200	32	LECSB□-S7 LECSC□-S7 LECSS□-S7
S8		400	63	LECSB2-S8 LECSC2-S8 LECSS2-S8
T6	AC servo motor (Absolute encoder)	100	25	LECSB2-T5 LECSC2-T5 LECSS2-T5
T7		200	32	LECSB2-T7 LECSC2-T7 LECSS2-T7
T8		400	63	LECSB2-T8 LECSC2-T8 LECSS2-T8

⑥ Stroke [mm]

30	30
to	to
800	800

*The values shown in () are the lead for top mounting, right/left side parallel types. (Equivalent lead which includes the pulley ratio)

⑦ Dust-tight/Water-jet-proof 《Only available for LEY63 》

Symbol	LEY25/32	LEY63
Nil	Without option	IP5x equivalent (Dust proof)
P	-	IP65 equivalent (Dust-tight/Water-jet-proof) /with Port for breath

*When using the dust-tight/water-jet-proof (IP65 equivalent), correctly mount the fitting and tubing to the vent hole tap, and then place the end of the tubing in an area not exposed to dust or water.

* The fitting and tubing should be provided separately by the customer. Select [Applicable tubing O.D.: o4 or more, Connection thread: Rc1/8].

⑧ Motor option

Nil	Without option
B	With lock

⑨ Rod end thread

Nil	Rod end female thread
M	Rod end male thread (1 rod end nut included)

⑩ Mounting

Symbol	Type	Motor mounting position	
		Top/Parallel	In-line
Nil	Ends tapped /Body bottom tapped	●	●
L	Foot	●	-
F	Rod flange	●	●
G	Head flange	●	-
D	Double clevis	●	-

* Mounting bracket is shipped together, (but not assembled).

* For horizontal cantilever mounting with the rod flange, head flange and ends tapped, use the actuator within the following stroke range.

LEY25: 200 mm or less, LEY32: 100 mm or less, LEY63: 400 mm or less

* For mounting with the double clevis, use the actuator within the following stroke range.

LEY25: 200 mm or less, LEY32: 200 mm or less, LEY63: 300 mm or less

* Rod flange is not available for the LEY25 with stroke 30 mm and motor option "With lock".

* Head flange is not available for the LEY32 and LEY63.

⑪ Actuator cable type

Nil	Without cable
S	Standard cable
R	Robotic cable (Flexible cable)

⑫ Cable length [m]

Nil	Without cable
2	2
5	5
A	10

⑬ Driver type

	Compatible driver	Power supply voltage [V]	Size		
			25	32	63
Nil	Without driver		●	●	●
A1	LECSA1-S□	100 to 120	●	●	-
A2	LECSA2-S□	200 to 230	●	●	●
B1	LECSB1-S□	100 to 120	●	●	-
B2	LECSB2-S□	200 to 230	●	●	●
	LECSB2-T□	200 to 240	●	●	●
C1	LECSC1-S□	100 to 120	●	●	-
C2	LECSC2-S□	200 to 230	●	●	●
	LECSC2-T□	200 to 230	●	●	●
S1	LECSS1-S□	100 to 120	●	●	-
S2	LECSS2-S□	200 to 230	●	●	●
	LECSS2-T□	200 to 240	●	●	●

* When the driver type is selected, the cable is included. Select cable type and cable length.

Example)

S2S2: Standard cable (2 m) + Driver (LECSS2)

S2 : Standard cable (2 m)

Nil : Without cable and driver

⑭ I/O cable length [m]

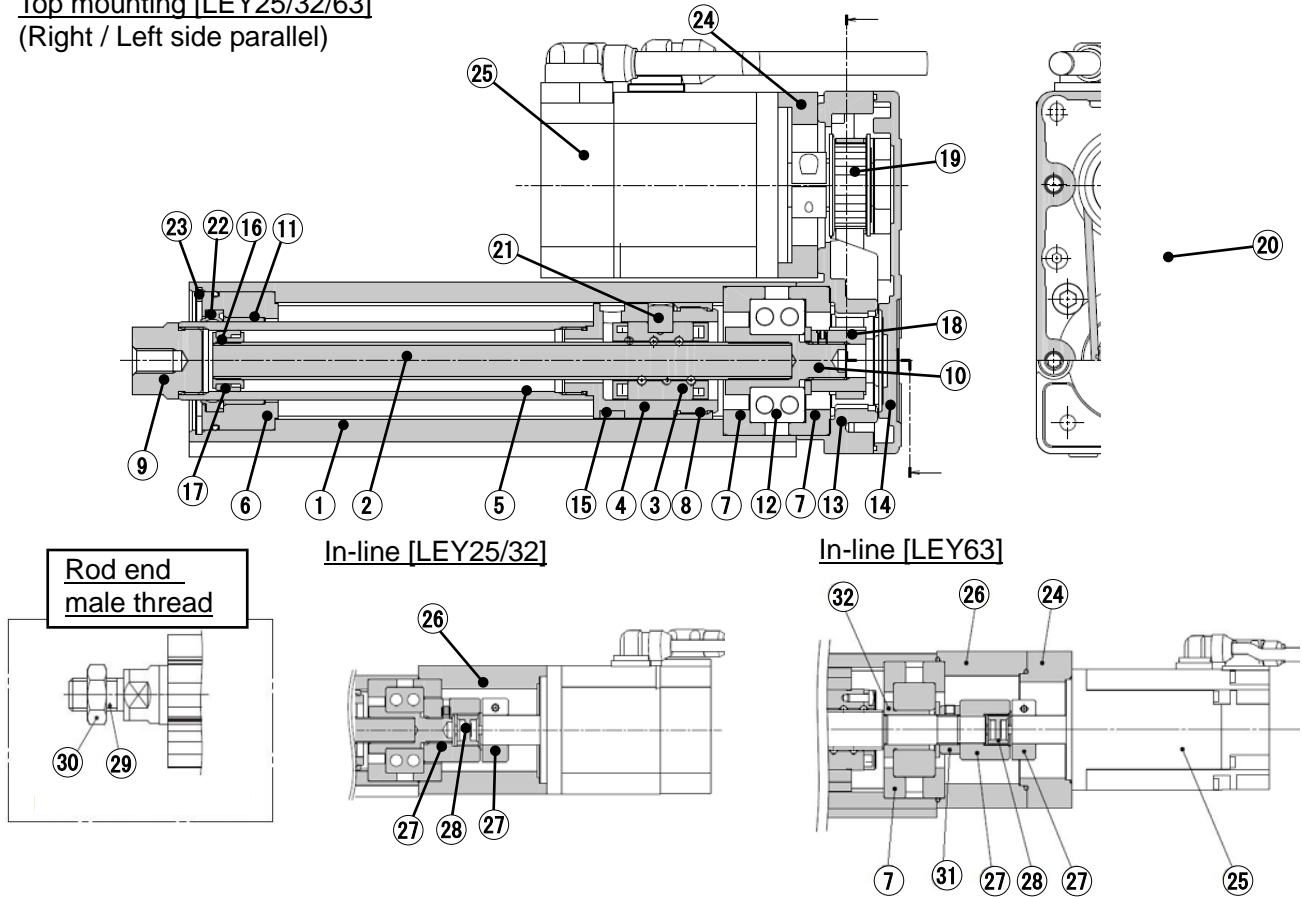
Nil	Without cable
H	Without cable (Connector only)
1	1.5

*Applicable stroke table

Model	Stroke [mm]	30	50	100	150	200	250	300	350	400	450	500	600	700	800
		LEY25	●	●	●	●	●	●	●	●	●	●	-	-	-
LEY32	●	●	●	●	●	●	●	●	●	●	●	●	-	-	-
LEY63	-	●	●	●	●	●	●	●	●	●	●	●	●	●	●

2.3 Construction

Top mounting [LEY25/32/63]
(Right / Left side parallel)



Parts list

No.	Part	Material	Remarks
1	Body	Aluminum alloy	Anodized
2	Ball screw shaft	Alloy steel	
3	Ball screw nut	Resin alloy steel	
4	Piston	Aluminum alloy	
5	Piston rod	Stainless steel	Hard chrome anodized
6	Rod cover	Aluminum alloy	
7	Bearing holder	Aluminum alloy	
8	Rotation stopper	POM	
9	Socket	Free cutting carbon steels	Nickel plated
10	Connected shaft	Free cutting carbon steels	Nickel plated
11	Bushing	Bearing alloy	
12	Bearing	-	
13	Return box	Aluminum die-cast	Coating
14	Return plate	Aluminum die-cast	Coating
15	Magnet	-	
16	Wear ring holder	Stainless steel	LEY25/32: Only stroke 101mm or more LEY63: Only stroke 200mm or more
17	Wear ring	POM	LEY25/32: Only stroke 101mm or more LEY63: Only stroke 200mm or more
18	Pulley (For Screw shaft)	Aluminum alloy	

No.	Part	Material	Remarks
19	Pulley (For motor)	Aluminum alloy	
20	Belt	-	
21	Parallel pin	Stainless steel	
22	Rod seal	NBR	
23	Retaining ring	Steel for spring	Phosphate coated
24	Motor adapter	Aluminum alloy	Coating
25	Motor	-	
26	Motor block	Aluminum alloy	Coating
27	Hub	Aluminum alloy	
28	Spider	Urethane	Spider
29	Socket (male thread)	Free cutting carbon steels	Nickel plated
30	Nut	Alloy steel	Zinc chromaed
31	Lock-nut	Alloy steel	Black dyed
32	Spacer-A	Stainless steel	

Mounting bracket part number

Size	Foot	Flange	Double clevis
25	LEY-L025	LEY-F025	LEY-D025
32	LEY-L032	LEY-F032	LEY-D032
63	LEY-L063	LEY-F063	LEY-D063

Maintenance parts / belt

Size	Part number
25	LE-D-2-2
32	LE-D-2-4
63[Lead:A/B/C]	LE-D-2-5
63[Lead:L]	LE-D-2-6

/ When ordering foot bracket, order 2 pieces per actuator.

/ Parts belonging to each bracket are as follows.

Foot, Flange: Body mounting bolt.

Double clevis: Clevis pin, Type C retaining ring for axis, Body mounting bolt.

3. Guide rod type / LEYG Series

3.1 Specification

Model		LEYG25 ^M (Top)/ LEYG25 ^M D (In-line)			LEYG32 ^M (Top)			LEYG32 ^M D (In-line)			
Actuator specifications	Work load [kg]	Horizontal ^{Note 1)}	18	50	50	30	60	60	30	60	60
		Vertical	7	15	29	7	17	35	10	22	44
	Force [N] ^{Note 2)} (Set value LEY25S/32S: 15 to 30%) (Set value LEY25T/32T: 12 to 24%)		65~131	127~255	242~485	79~157	154~308	294~588	98~197	192~385	368~736
	Maximum Speed [mm/s]		900	450	225	1200	600	300	1000	500	250
	Pushing speed [mm/s] ^{Note 3)}		35 or less			30 or less			30 or less		
	acceleration/deceleration [mm/s ²]		5,000			5,000			5,000		
	Positioning repeatability [mm]		±0.02[Basic type] / ±0.01[High precision type]								
	Lost motion[mm]		0.1 or less[Basic type] / 0.05 or less[High precision type]								
	Lead[mm] (Including pulley ratio)		12	6	3	20	10	5	16	8	4
	Impact resistance/vibration Resistance [m/s ²] ^{Note 4)}		50 / 20			50 / 20			50 / 20		
	Drive method		Ball screw and Belt [1:1]/ Ball screw			Ball screw and Belt [1.25:1]			Ball screw		
	Guide type		Slide bearing (LEYG□M), Ball bushing bearing (LEYG□L)								
Operating temperature range [°C]		5 to 40			5 to 40			5 to 40			
Operating humidity range [%RH]		90 or less(No condensation)			90 or less(No condensation)			90 or less(No condensation)			
Electric specifications	Motor output/size	100W/□40			200W/□60			200W/□60			
	Motor type	AC servo motor (100/200VAC)			AC servo motor (100/200VAC)			AC servo motor (100/200VAC)			
	Encoder	[Motor type: S2, S3]: Incremental 17bit encoder (Resolution: 131072 p/rev) [Motor type: S6, S7]: Absolute 18bit encoder (Resolution: 262144 p/rev) [Motor type: T6, T7]: (Driver type: LECSB-T/LECSS-T) Absolute 22bit encoder (Resolution: 4194304 p/rev) (Driver type: LECSC-T) Absolute 18bit encoder (Resolution: 262144 p/rev)									
		Type ^{Note 5)}	Non-magnetizing lock								
Lock unit specifications	Holding force [N]	131	255	485	157	308	588	197	385	736	
	Power consumption [W] at 20 °C ^{Note 6)}	6.3			7.9			7.9			
	Rated voltage [V]	24VDC ^U -10%									

Note 1) The maximum value of the horizontal workload. (An external guide is necessary[Coefficient of friction:0.1 or less]).

The actual workload will depend on the type of external guide.

Note 2) The force setting range (set values for the driver) for the force control with the torque control mode. Set it with reference to "Force Conversion Graph" of the catalog

The driver applicable to the pushing operation is "LECSB-T", "LECSS", and "LECSS-T."

The LECSB-T is only applicable when the control method is positioning. The point table is used to set the pushing operation settings. To set the pushing operation settings, an additional dedicated file (pushing operation extension file) must be downloaded separately to be used with the setup software (MR Configurator2™: LEC-MRC2□).

Please download this dedicated file from the SMC website: <https://www.smcworld.com/>

When selecting the LECSB or LECSB-T, combine it with a master station (such as the Simple Motion module manufactured by Mitsubishi Electric Corporation) which has a pushing operation function.

Note 3) Allowable impact speed when "impact work" in torque control mode, etc.

Note 4) Impact resistance: No malfunction occurred when the actuator was tested with a drop tester in both an axial direction and perpendicular direction to the lead screw. (The test was performed with the actuator in the initial state.)

Vibration resistance: No malfunction occurred in a test ranging between 45 to 2000 Hz, when the actuator was tested in both an axial direction and a perpendicular direction to the lead screw. (The test was performed with the actuator in the initial state.)

Note 5) Only when the motor option, "with lock", is selected.

Note 6) For an actuator with lock, add the power consumption for the lock.

[Product Weight]

[kg]

Model		Guide type	LEYG25 (Top)							LEYG25D (In-line)						
Stroke [mm]			30	50	100	150	200	250	300	30	50	100	150	200	250	300
Motor type	Incremental Encoder(S2)	M	1.8	2.0	2.3	2.7	3.1	3.4	3.7	1.8	2.0	2.3	2.8	3.1	3.4	3.7
		L	1.8	2.0	2.3	2.7	3.0	3.3	3.5	1.8	2.1	2.3	2.7	3.0	3.3	3.5
	Absolute Encoder(S6)	M	1.9	2.1	2.4	2.8	3.1	3.5	3.7	1.9	2.1	2.4	2.8	3.2	3.5	3.8
		L	1.9	2.1	2.3	2.8	3.0	3.3	3.6	1.9	2.1	2.4	2.8	3.0	3.4	3.6
	Absolute Encoder(T6)	M	1.8	2.0	2.4	2.8	3.1	3.5	3.7	1.9	2.1	2.4	2.8	3.1	3.5	3.7
		L	1.9	2.1	2.3	2.7	3.0	3.3	3.6	1.9	2.1	2.3	2.8	3.0	3.3	3.6

Model		Guide type	LEYG32 (Top)							LEYG32D (In-line)						
Stroke [mm]			30	50	100	150	200	250	300	30	50	100	150	200	250	300
Motor type	Incremental Encoder(S3)	M	3.2	3.5	4.1	4.8	5.4	5.8	6.3	3.3	3.5	4.1	4.8	5.4	5.9	6.3
		L	3.2	3.5	3.9	4.6	5.1	5.6	6.0	3.3	3.5	3.9	4.7	5.1	5.6	6.0
	Absolute Encoder(S7)	M	3.2	3.4	4.0	4.7	5.3	5.8	6.2	3.2	3.5	4.0	4.8	5.3	5.8	6.2
		L	3.2	3.5	3.8	4.6	5.0	5.5	5.9	3.2	3.5	3.9	4.6	5.0	5.5	5.9
	Absolute Encoder(T7)	M	3.2	3.4	4.0	4.7	5.3	5.7	6.2	3.2	3.4	4.0	4.7	5.3	5.8	6.2
		L	3.2	3.4	3.8	4.6	5.0	5.5	5.9	3.2	3.4	3.8	4.6	5.0	5.5	5.9

[Additional weight for lock]

[kg]

Size		25	32
Lock	Incremental Encoder(Motor type:S2, S3)	0.20	0.40
	Absolute Encoder(Motor type:S6, S7)	0.30	0.66
	Absolute Encoder(Motor type:T6, T7)	0.30	0.70

3.2 How to Order

LEY **H** G **25** **M** **S2** **B** - **100** - **S** **2** **A1**

① ② ③ ④ ⑤ ⑥ ⑦ ⑧ ⑨ ⑩ ⑪ ⑫ ⑬

① Accuracy

Nil	Basic type
H	High precision type

② Size

25
32

③ Bearing type

M	Sliding bearing
L	Ball bushing bearing

④ Motor mounting position

Nil	Top mountin
D	In-line

⑤ Motor type

Symbol	Type	Output [W]	Size	Compatible driver
S2	AC servo motor (Incremental encoder)	100	25	LECSA□-S1
S3		200	32	LECSA□-S3
S6	AC servo motor (Absolute encoder)	100	25	LECSB□-S5 LECSC□-S5 LECSS□-S5
S7			200	32
T6		AC servo motor (Absolute encoder)	100	25
T7	200		32	LECSB2-T7 LECSC2-T7 LECSS2-T7

⑥ Lead[mm]

symbol	LEY25	LEY32
A	12	16(20)
B	6	8(10)
C	3	4(5)

*The values shown in () are the lead for size 32 top mounting types. (Equivalent lead which includes the pulley ratio [1.25:1])

⑦ Stroke [mm]

30	30
to	to
300	300

⑧ Motor option

Nil	Without option
B	With lock

⑨ Guide option

Nil	Without option
F	With grease retaining function

* Only available for sliding bearing

⑩ Cable type

Nil	Without cable
S	Standard cable
R	Robotic cable (Flexible cable)

⑫ Driver type

	Compatible driver	Power supply voltage [V]
Nil	Without driver	
A1	LECSA1-S□	100 to 120
A2	LECSA2-S□	200 to 230
B1	LECSB1-S□	100 to 120
B2	LECSB2-S□	200 to 230
	LECSB2-T□	200 to 240
C1	LECSC1-S□	100 to 120
C2	LECSC2-S□	200 to 230
	LECSC2-T□	200 to 230
S1	LECSS1-S□	100 to 120
S2	LECSS2-S□	200 to 230
	LECSS2-T□	200 to 240

⑬ I/O cable length [m]

Nil	Without cable
H	Without cable (Connector only)
1	1.5

⑪ Cable length [m]

Nil	Without cable
2	2
5	5
A	10

* When the driver type is selected, the cable is included. Select cable type and cable length.
Example)

S2S2: Standard cable (2 m) + Driver (LECSS2)

S2 : Standard cable (2 m)

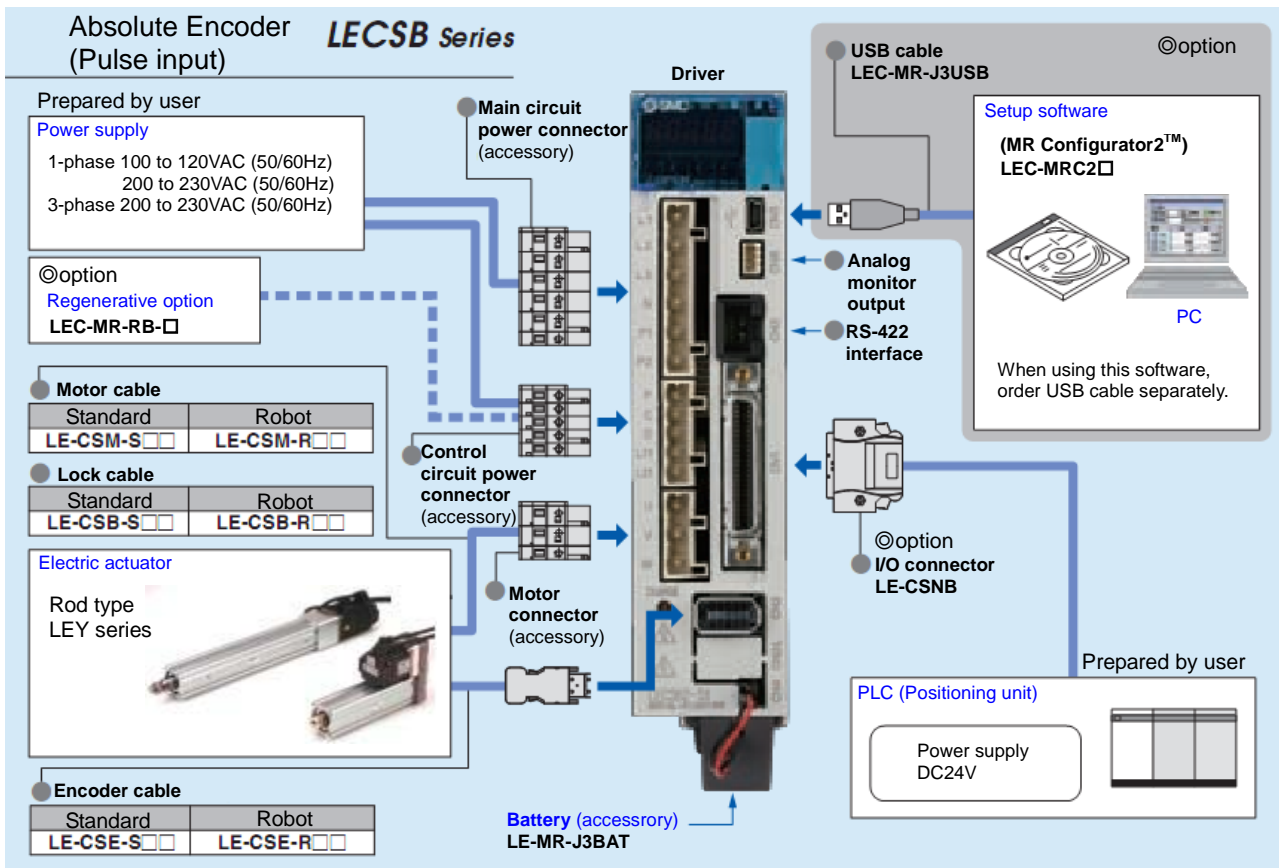
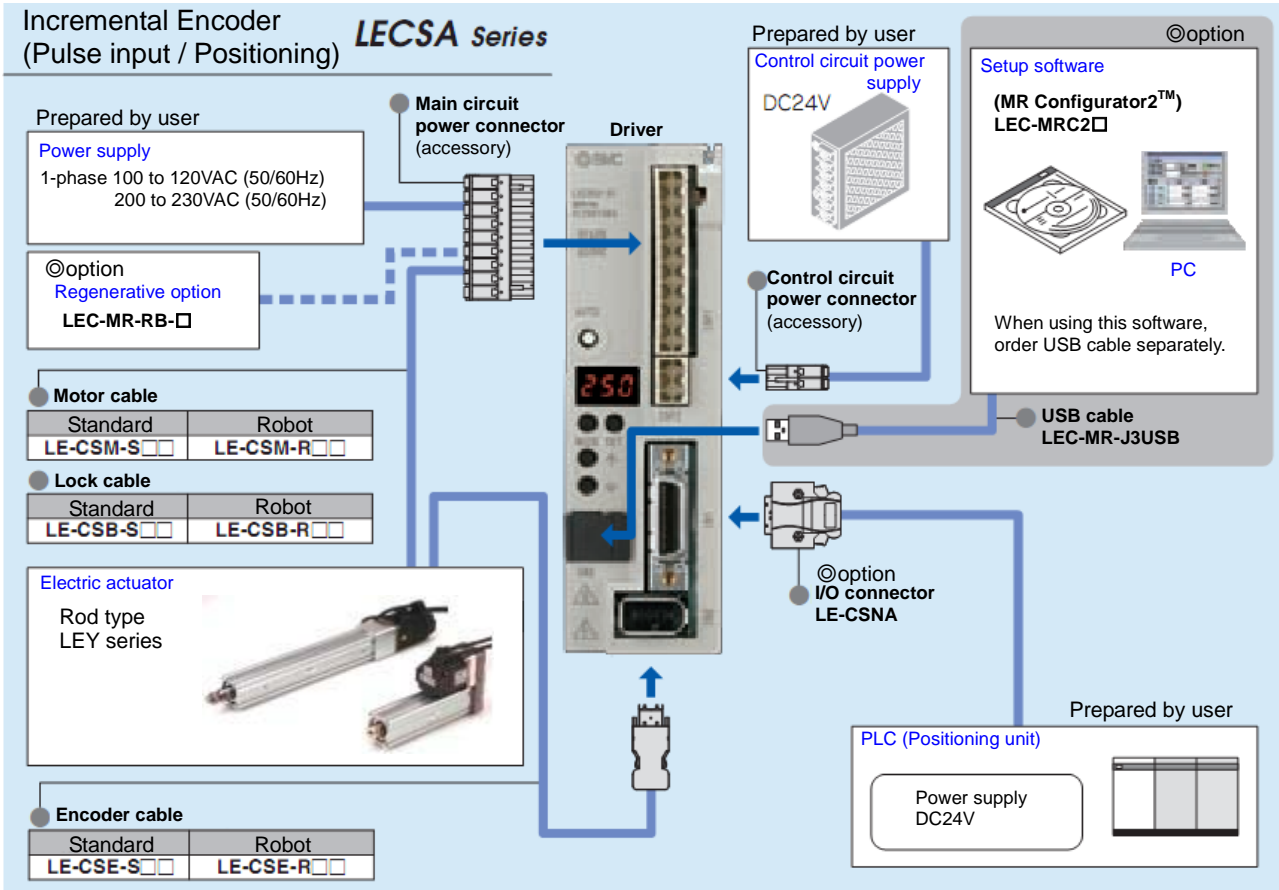
Nil : Without cable and driver

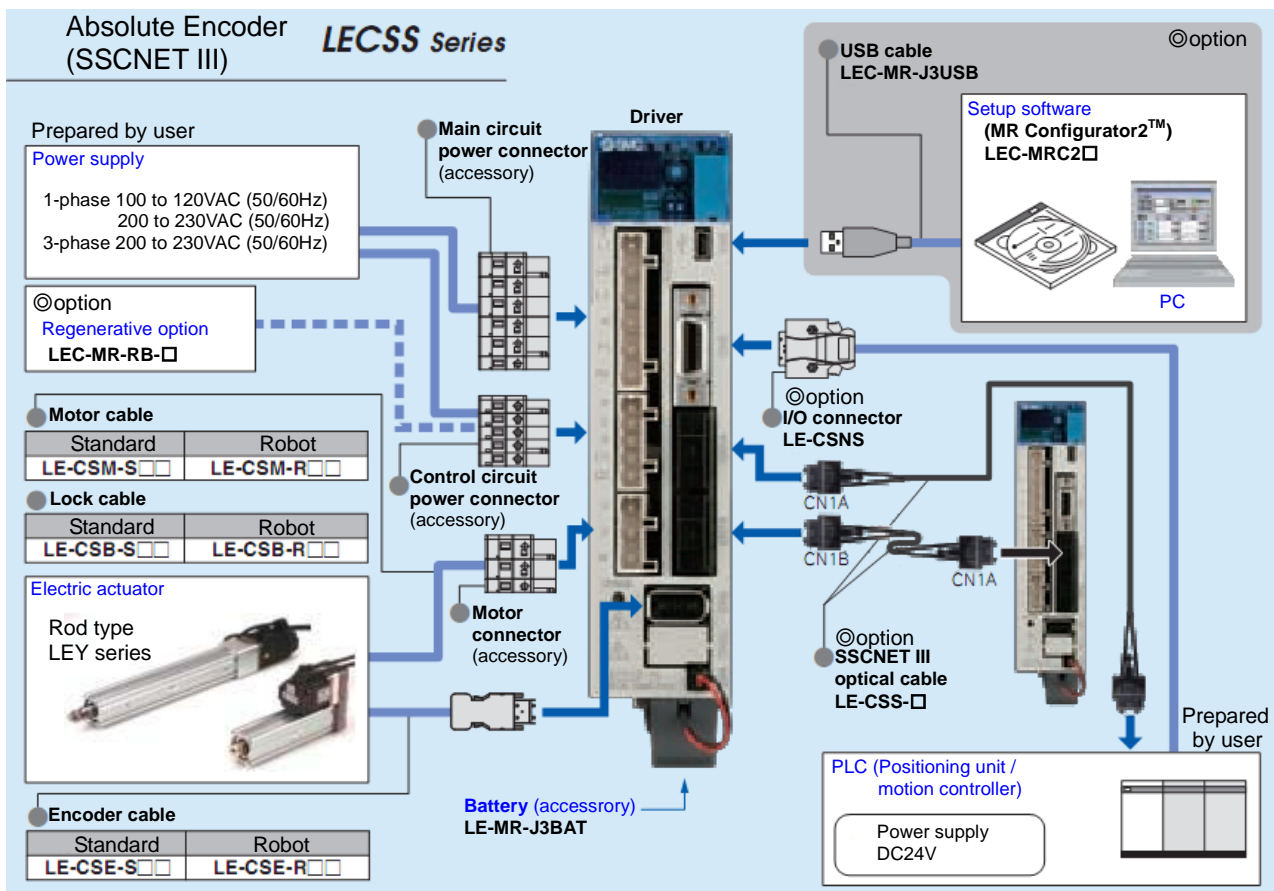
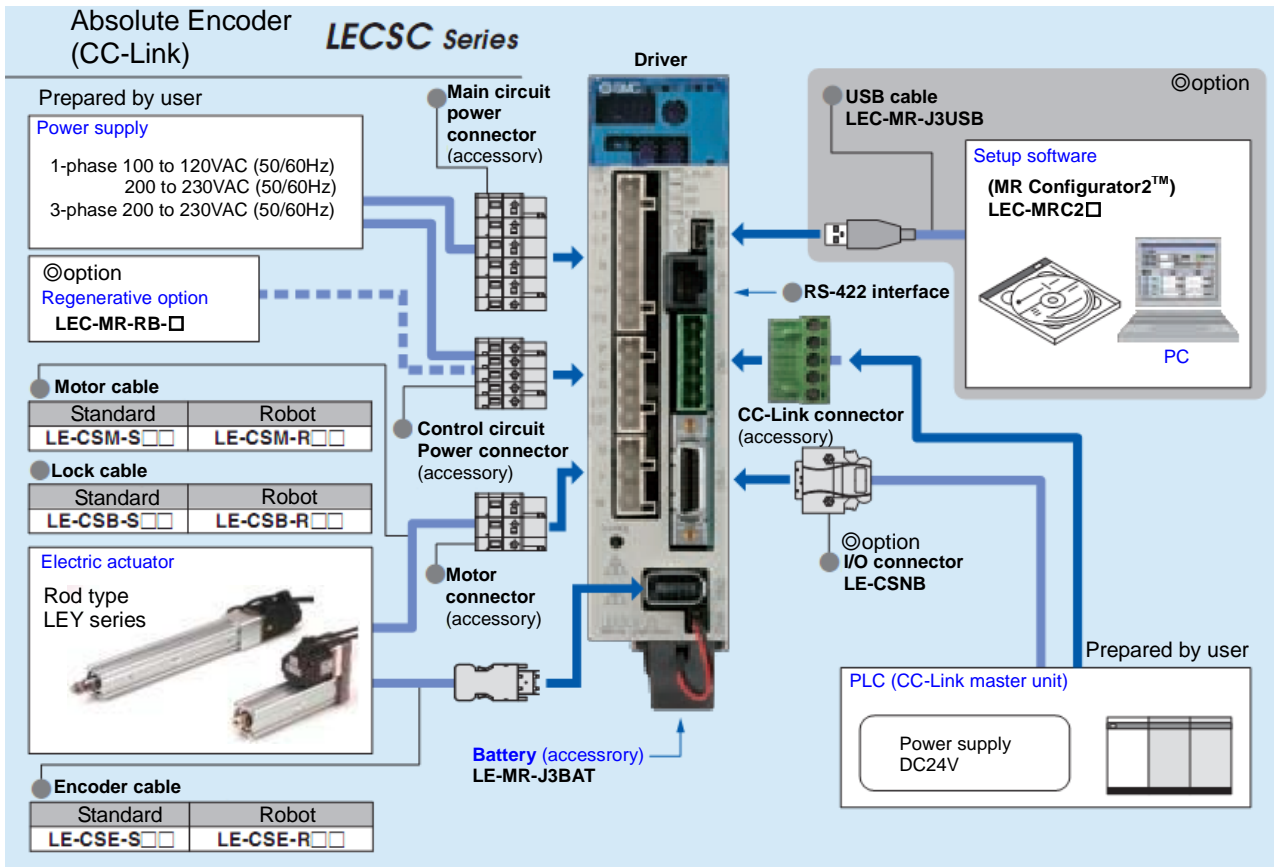
*Applicable stroke table

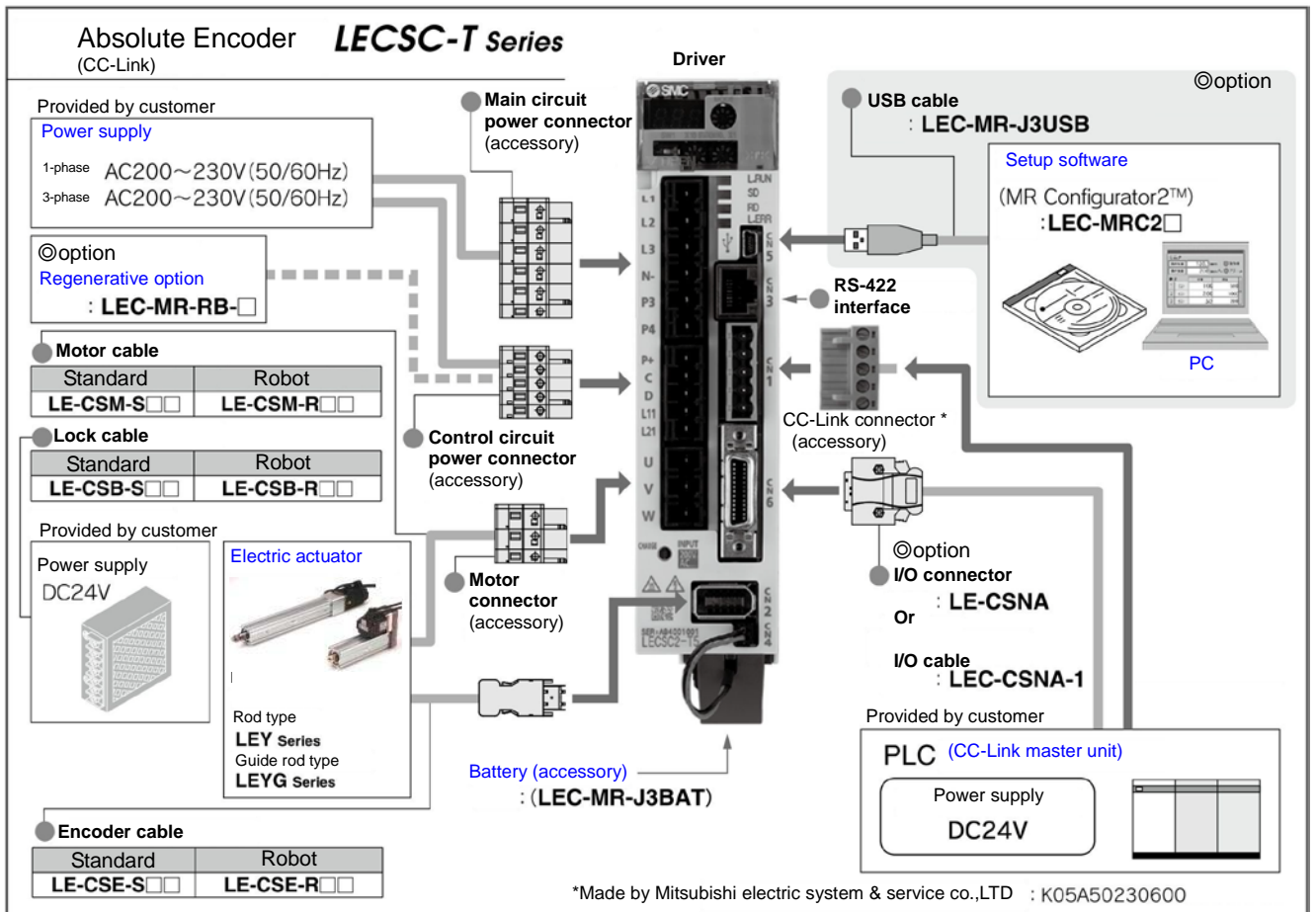
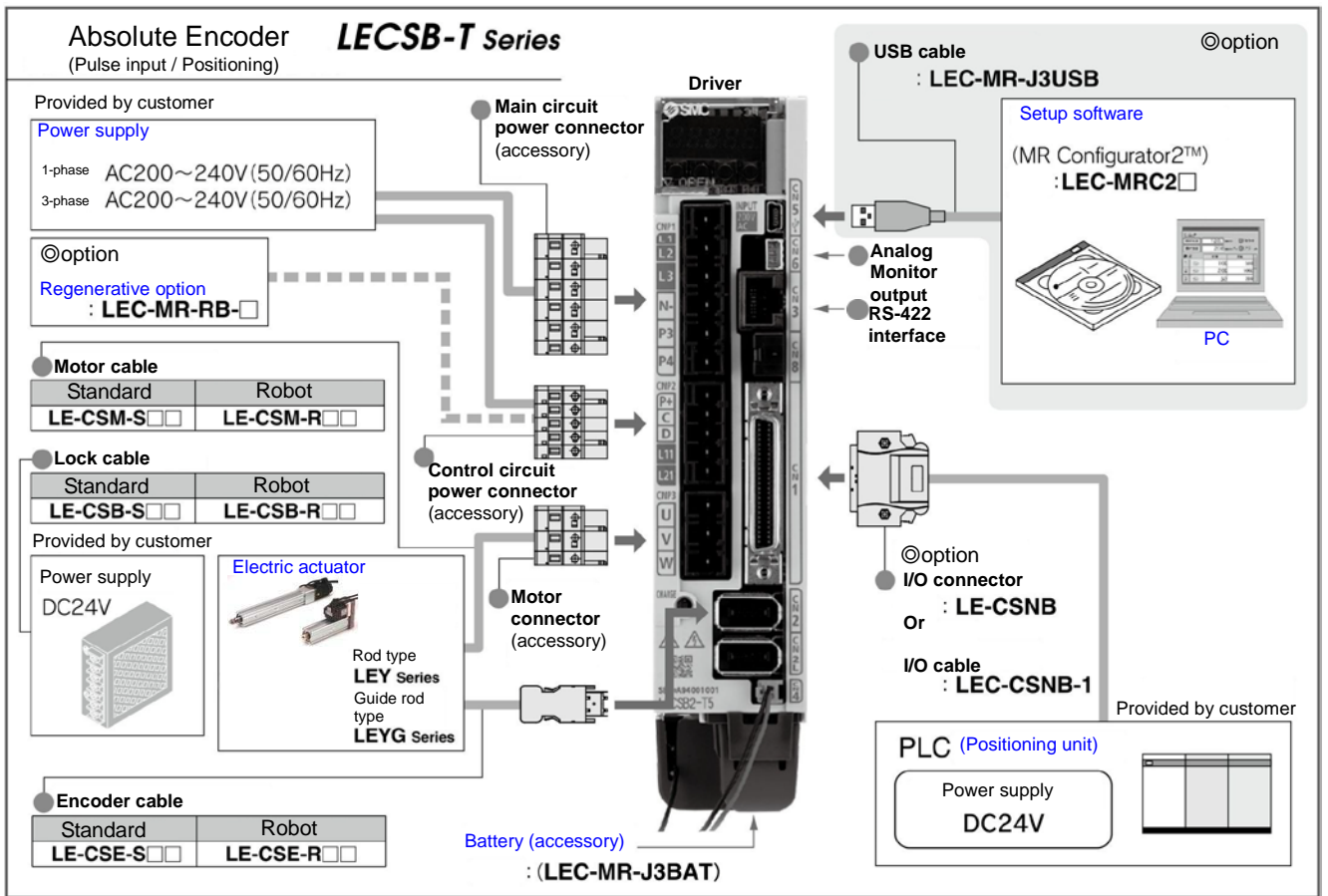
Model \ Stroke [mm]	30	50	100	150	200	250	300
LEYG25	●	●	●	●	●	●	●
LEYG32	●	●	●	●	●	●	●

4. Product Outline

4.1 System construction

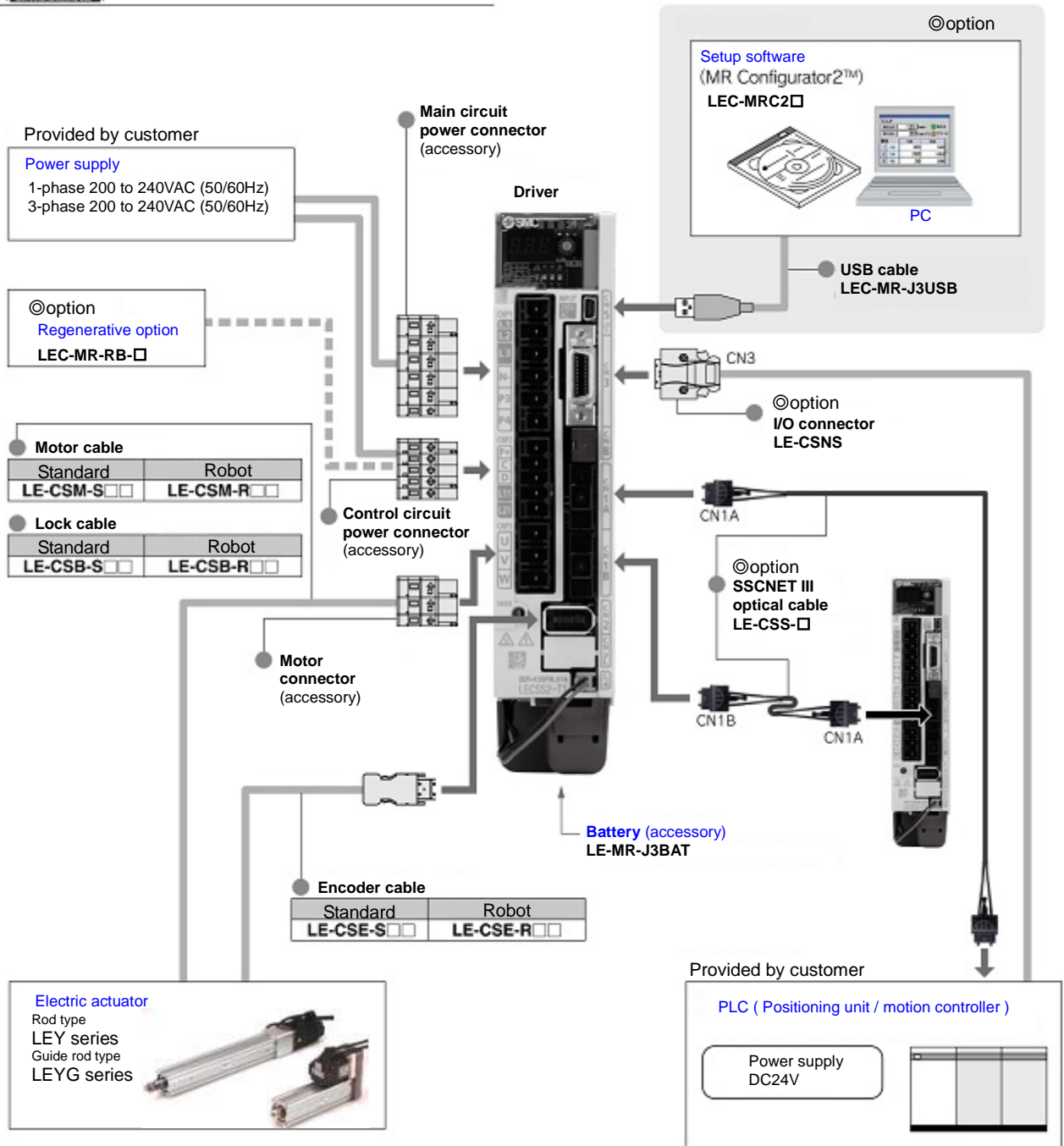






*Made by Mitsubishi electric system & service co.,LTD : K05A50230600

Absolute Encoder Series **LECSS-T**



4.2 Function/Configuration

The following control mode can be selected for applicable actuators.
Please refer to the “Driver Operation Manual” about wiring and parameter setting.

Table. Applicable control mode.

Driver	Control mode ^{Note1)}			Encoder	Positioning		Parameter select
	Position control	Speed control	Torque control		Point table method	Program method ^{Note3)}	
LECSA (Pulse input / positioning)	Pulse train	ON/OFF signal (Internal speed)	ON/OFF signal (Internal torque)	Incremental	ON/OFF signal 3 points (max. 7 points) ^{Note2)}	ON/OFF signal 4 programs (max. 8 Programs) ^{Note2)}	PA01
LECSB (Pulse input)	Pulse train	Analog command	Analog command	Absolute	-	-	PA01
LECSA (CC-Link)	CC-Link (When 2 stations are occupied)	-	-	Absolute	CC-Link 31 points(When 1 station is occupied) 255 points(When 2 stations are occupied)	-	PC30
LECSS (SSCNET III)	Note4)			Absolute	-	-	Note4)
LECSB-T (Pulse input/ positioning)	Pulse train	Analog command	Analog command	Absolute	ON/OFF signal 15 points (max. 255 points) ^{Note2)}	ON/OFF signal 16 programs (max. 256 Programs) ^{Note2)}	
LECSA-T (CC-Link)	CC-Link (When 2 stations are occupied)	-	-	Absolute	CC-Link 31 points(When 1 station is occupied) 255 points(When 2 stations are occupied)	-	
LECSS (SSCNET III/H)	Note4)			Absolute	-	-	Note4)
Operation method	Positioning operation	Speed command operation	Torque command operation	-	Positioning operation by point table No. setting	Positioning operation by program No. setting	-

Note 1 Make the moving range limitation by external sensor etc to avoid actuator hitting to the work piece or stroke end. When using the thrust control, the following parameter should be set. If not, it will cause malfunction.

- LECSA: The value of the parameter value [PC12] “Internal torque command” should be 30% or less. (LEY63 : 50% or less)
- LECSB: The value of the parameter value [PC13] “Analog torque maximum output command” should be 30% or less. (LEY63 : 50% or less)
- LECSA: The torque maximum output command” should be 30% or less. (LEY63 : 50% or less)
- LECSB-T: The value of the parameter value [PC13] “Analog torque maximum output command” should be 24% or less. (LEY63 : 40% or less)
- LECSA-T: The torque maximum output command” should be 24% or less. (LEY63 : 40% or less)

The driver applicable to the pushing operation is "LECSB-T", "LECSS", and "LECSS-T. "

The LECSB2-T is only applicable when the control method is positioning. The point table is used to set the pushing operation settings.

To set the pushing operation settings, an additional dedicated file (pushing operation extension file) must be downloaded separately to be used with the setup software (MR Configurator2™: LEC-MRC2□).

Please download this dedicated file from the SMC website: <https://www.smcworld.com/>

When selecting the LECSA or LECSA2-T, combine it with a master station (such as the Simple Motion module manufactured by Mitsubishi Electric Corporation) which has a pushing operation function.

Note2) To set the maximum value for the each method, it is necessary to change the setting. Please refer “Driver Operation Manual”.

Note3) The MR Configurator is necessary to control by the program method. Order separately.

- MR Configurator2™ (Setup software Japanese version) / LEC- MRC2
- MR Configurator2™(Setup software English version) / LEC-MRC2E
- MR Configurator2™(Setup software Chinese version) / LEC-MRC2C
- USB cable for Setup software (3m) / LEC-MR-J3USB

Note4) The LECSA/LECSA-T is set by upper positioning unit or motion controller.

5. Wiring of cables / Common precautions

Warning

1. **Adjusting, mounting or wiring change should never be done before shutting off the power supply to the product.**
Electrical shock, malfunction and damaged can result.
2. **Never disassemble the cable. Use only specified cables.**
3. **Never connect or disconnect the cable or connector with power on.**

Caution

1. **Wire the connector securely. Do not apply any voltage to the terminals other than those specified in the product manual.**
2. **Wire the connector securely.**
Check for correct connector wiring and polarity.
3. **Take appropriate measures against noise.**
Noise in a signal line may cause malfunction. As a countermeasure, separate high voltage and low voltage cables, and shorten wiring lengths, etc.
4. **Do not route wires and cables together with power or high voltage cables.**
The product can malfunction due to interference of noise and surge voltage from power and high voltage cables to the signal line. Route the wires of the product separately from power or high voltage cables.
5. **Take care that actuator movement does not catch cables.**
6. **Operate with cables secured. Avoid bending cables at sharp angles where they enter the product.**
7. **Avoid twisting, folding, rotating or applying an external force to the cable.**
Risk of electric shock, wire break, contact failure and loss of control for the product can happen.
8. **Select “Robotic type cables” in case of inflecting cable (encoder/motor/lock) repeatedly.**
Refer to the “Driver operation manual” for the bending life of the bending radius of the cable.
9. **Confirm proper wiring of the product.**
Poor insulation (interference with other circuits, poor insulation between terminals and etc.) can apply excessive voltage or current to the product causing damage.

[Transportation]

Caution

1. **Do not carry or swing the product by the cable**

6. Electric actuators / Common precautions

6.1 Design and selection

Warning

- 1. Be sure to read the Operation Manual (this manual and the one for the driver: LEC series).**

Handling or usage/operation other than that specified in the Operation Manual may lead to breakage and operation failure of the product.
Any damage attributed to the use beyond the specifications is not guaranteed.
- 2. There is a possibility of dangerous sudden action by the product if sliding parts of machinery are twisted due to external forces etc.**

In such cases, human injury may occur, such as by catching hands or feet in the machinery, or damage to the machinery itself may occur.
Design the machinery should be designed to avoid such dangers.
- 3. A protective cover is recommended to minimize the risk of personal injury.**

If a driven object and moving parts of the product are in close proximity, personal injury may occur.
Design the system to avoid contact with the human body.
- 4. Securely tighten all stationary parts and connected parts so that they will not become loose.**

When the product operates with high frequency or is installed where there is a lot of vibration, ensure that all parts remain secure.
- 5. Consider a possible loss of power source.**

Take measures to prevent injury and equipment damage even in the case of a power source failure.
- 6. Consider behavior of emergency stop of whole system.**

Design the system so that human injury and/or damage to machinery and equipment will not be caused, when it is stopped by a safety device for abnormal conditions such as a power outage or a manual emergency stop of whole system.
- 7. Consider the action when operation is restarted after an emergency stop or abnormal stop of whole system.**

Design the system so that human injury or equipment damage will not occur upon restart of operation of whole system.
- 8. Never disassemble or modify (including additional machining) the product.**

An injury or failure can result.
It will cause the loss of the product performance.
- 9. When using it for vertical application, it is necessary to build in a safety device.**

The rod may fall due to the weight of work. The safety device should not interfere with normal operation of the machine.

Caution

- 1. Operate within the limits of the maximum usable stroke.**

The product will be damaged if it is used with the stroke which is over the maximum stroke. Refer to the specifications of the product.
- 2. When the product repeatedly cycles with partial strokes, operate it at a full stroke at least once every 10 strokes.**

Otherwise, lubrication can run out.
- 3. Do not use the product in applications where excessive external force or impact force is applied to it. The product can be damaged.**

Each component that includes motor is made with accurate tolerance.
So even slightly deformed or miss-alignment of component may lead operation failure of the product.
- 4. Refer to a common auto switch /matter (Best Pneumatics No 2) when an auto switch is built in and used.**
- 5. Do not exceed product specification, even if work load is supported by external linear guides.**

The moment to actuator is reduced by external guide, but required ability for transport (relationship between speed and work load) is not reduced.

6.2 Mounting

Warning

- 1. Install and operate the product only after reading the Operation Manual carefully and understanding its contents. Keep the manual in a safe place for future reference.**
- 2. Observe the tightening torque for screws.**

Tighten the screws to the recommended torque for mounting the product.
- 3. Do not make any alterations to this product.**

Alterations made to this product may lead to a loss of durability and damage to the product, which can lead to human injury and damage to other equipment and machinery.
- 4. When using external guide, the guide axis should be parallel to the actuator axis.**

There will be damage/excessive wear on the lead screw if the external guide is not parallel.
- 5. When an external guide is used, connect the moving parts of the product and the load in such a way that there is no interference at any point within the stroke.**

Do not scratch or dent the sliding parts of the product tube or piston rod etc., by striking or grasping them with other objects. Components are manufactured to precise tolerances, so that even a slight deformation may cause faulty operation.
- 6. Prevent the seizure of rotating parts.**

Prevent the seizure of rotating parts (pins, etc.) by applying grease.
- 7. Do not use the product until you verify that the equipment can operate properly.**

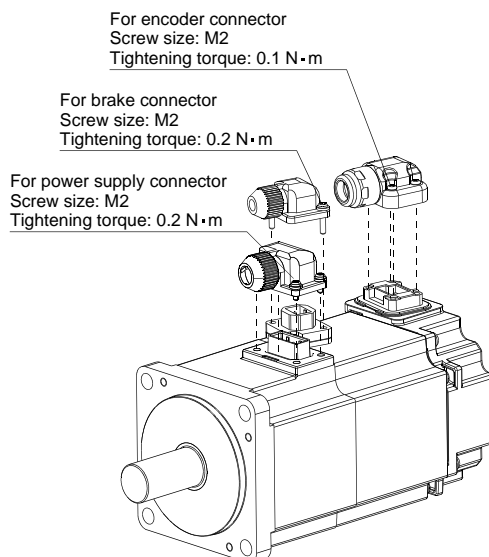
After mounting or repair, connect the power supply to the product and perform appropriate functional inspections to check it is mounted properly.
- 8. Cantilever**

When the actuator is operated at high speed while it is fixed at one end and free at the other end (flange type, foot type, double clevis type, direct mount type), a bending moment may act on the actuator due to vibration generated at the stroke end, which can damage the actuator. In such a case, install a support bracket to suppress the vibration of the actuator body or reduce the speed so that the actuator does not vibrate. Use a support bracket also when moving the actuator body or when a long stroke actuator is mounted horizontally and fixed at one end.
- 9. When attaching work piece, do not apply strong impact or large moment.**

If an external force over the allowable moment is applied, it may cause looseness in the guide unit, an increase in sliding resistance or other problems.
- 10. Maintenance space**

Allow sufficient space for maintenance and inspection.
- 11. Mounting connectors**

Tighten the screws evenly. Tightening torques are as indicated below.



6.3 Handling

Warning

1. **If abnormal heating, smoking or fire, etc., occurs in the product, immediately shut off the power supply.**
2. **Immediately stop operation if abnormal operation noise or vibration occurs.**
If abnormal operation noise or vibration occurs, the product may have been mounted incorrectly. Unless operation of the product is stopped for inspection, the product can be seriously damaged.
3. **Never touch the rotating part of the motor or moving part of the actuator while in operation.**
Alterations made to this product may lead to a loss of durability and damage to the product, which can lead to human injury and damage to other equipment and machinery.
4. **When installing, adjusting, inspecting or performing maintenance on the product, driver and related equipment, be sure to shut off the power supply to them.**
Then, lock it so that no one other than the person working can turn the power on, or implement measures such as a safety plug.

Caution

1. **Keep the driver and product combined as delivered for use.**
The product is set in parameters for shipment. If it is combined with a different parameter, failure can result.
2. **Check the product for the following points before operation.**
 - a) Damage to power supply line and signal line.
 - b) Looseness of the connector to each power line and signal line.
 - c) Looseness of the actuator /cylinder and Driver /driver mounting
 - d) Abnormal operation
 - e) Emergency stop of the total system
3. **When more than one person is performing work, decide on the procedures, signals, measures and resolution for abnormal conditions before beginning the work. Also, designate a person to supervise work other than those performing work.**
4. **Actual speed of the product will be changed by the workload.**
Before selecting a product, check the catalog for the instructions regarding selection and specifications.
5. **Do not apply a load, impact or resistance in addition to a transferred load during return to origin.**
In the case of the return to origin by pushing force, additional force will cause displacement of the origin position since it is based on detected motor torque.
6. **Do not remove the nameplate.**
7. **Operation test should be done by low speed. Start operation by predefined speed after confirming there is no trouble.**
8. **Do not apply impact/collision/resistance for mover of actuator in operation.**
It will cause decrease of product's life, damage to product, and so on

[Ground]

Warning

1. **Do the earth construction surely.**
2. **Refer to the driver manual for the grounding procedure and notes.**

[Unpackaging]

Caution

1. **Check the received product is as ordered**
If the different product is installed from the one ordered, injury or damage can result.

6.4 Operating environment

Warning

Avoid use in the following environments.

- a. Locations where a large amount of dusts and cutting chips are airborne.
 - b. Locations where the ambient temperature is outside the range of the temperature specification (refer to specifications).
 - c. Locations where the ambient humidity is outside the range of the humidity specification (refer to specifications).
 - d. Locations where corrosive gas, flammable gas, sea water, water and steam are present.
 - e. Locations where strong magnetic or electric fields are generated.
 - f. Locations where direct vibration or impact is applied to the product.
 - g. Areas that are dusty, or are exposed to splashes of water and oil drops.
 - h. Areas exposed to direct sunlight (ultraviolet ray).
2. **Do not use in an environment where the product is directly exposed to liquid, such as cutting oils.**
If cutting oils, coolant or oil mist contaminates the product, failure or increased sliding resistance can result.
 3. **Install a protective cover when the product is used in an environment directly exposed to foreign matters such as dust, cutting chips and spatter.**
Play or increased sliding resistance can result.
 4. **Shade the sunlight in the place where the product is applied with direct sunshine.**
 5. **Shield the product if there is a heat source nearby.**
When there is a heat source surrounding the product, the radiated heat from the heat source can increase the temperature of the product beyond the operating temperature range. Protect it with a cover, etc.
 6. **Grease oil can be decreased due to external environment and operating conditions, and it deteriorates lubrication performance to shorten the life of the product.**

[Storage]

Warning

1. **Do not store the product in a place in direct contact with rain or water drops or is exposed to harmful gas or liquid.**
2. **Store in an area that is shaded from direct sunlight and has a temperature and humidity within the specified range (-10°C to 60°C and 90%RH or less No condensation or freezing).**
3. **Do not apply vibration and impact to the product during storage.**

6.5 Maintenance

Warning

1. **Do not disassemble or repair the product.**

Fire or electric shock can result. Contact SMC, in case of disassembly for the maintenance.

2. **Before modifying or checking the wiring, the voltage should be checked with a tester 5 minutes after the power supply is turned off.**

Electrical shock can result.

Caution

1. **Maintenance should be performed according to the procedure indicated in the Operating Manual.**

Incorrect handling can cause an injury, damage or malfunction of equipment and machinery.

2. **Removal of product**

When equipment is serviced, first confirm that measures are in place to prevent dropping of work pieces and run-away of equipment, etc, and then cut the power supply to the system. When machinery is restarted, check that operation is normal with actuators in the proper positions.

[Lubrication]

Caution

1. **The product has been lubricated for life at manufacturer, and does not require lubrication in service.**

Contact SMC if lubrication will be applied.

6.6 Precautions for actuator with lock

Warning

1. **Do not use the lock as a safety lock or a control that requires a locking force.**

The lock used for the product with a lock is designed to prevent dropping of work piece.

2. **For vertical mounting, use the product with a lock.**

If the product is not equipped with a lock, the product will move and drop the work piece when the power is removed.

3. **"Measures against drops" means preventing a work piece from dropping due to its weight when the product operation is stopped and the power supply is turned off.**

4. **Do not apply an impact load or strong vibration while the lock is activated.**

If an external impact load or strong vibration is applied to the product, the lock will lose its holding force and damage to the sliding part of the lock or reduced lifetime can result. The same situations will happen when the lock slips due to a force higher than its holding force, as this will accelerate the wear to the lock.

5. **Do not apply liquid or oil and grease to the lock or its surrounding.**

When liquid or oil and grease is applied to the sliding part of the lock, its holding force will be reduced significantly. Or, lock sliding part performance and condition changes may be caused by lock release malfunction.

6. **Take measures against drops and check that safety is assured before mounting, adjustment and inspection of the product.**

If the lock is released with the product mounted vertically, a work piece can drop due to its weight.

7. Electric actuators / Rod Type Common precautions

7.1 Design

Warning

- 1. Do not apply a load in excess of the actuator specification.**

A product should be selected based on the maximum work load and allowable moment.
If the product is used outside of the operating specification, eccentric load applied to the guide will become excessive and have adverse effects such as creating play in the guide, reduced accuracy and reduced product life.
- 2. Do not use the product in applications where excessive external force or impact force is applied to it.**

The product can be damaged.
The components including the motor are manufactured to precise tolerances.
So that even a slight deformation may cause faulty operation or seizure.

7.2 Selection

Warning

- 1. Do not exceed the speed limit of the actuator specification.**

Select a suitable actuator by the relationship of allowable work load and speed.
Noise or reduction of accuracy may occur if the actuator is operated in excess of its specification and could lead to reduced accuracy and reduced product file.
- 2. When the product repeatedly cycles with partial strokes , lubrication can run out.**

Operate it at a full stroke at least once a day or every 1000 strokes.

7.3 Handling

Caution

- 1. For thrust control, make sure to set it to "torque control mode", and operate within the "pushing speed" range of each model.**

Do not hit the workpiece or the stroke end with the piston in the "position control mode", "speed control mode" or "positioning mode". The lead screw, bearing and internal stopper may be damaged, causing malfunction.
- 2. When using the thrust control, the following parameter should be set.**
 - LECSA: The value of the parameter value [PC12] "Internal torque command" should be 30% or less. (LEY63 : 50% or less)
 - LECSB: The value of the parameter value [PC13] "Analog torque maximum output command" should be 30% or less. (LEY63 : 50% or less)
 - LECSS: The torque maximum output command" should be 30% or less. (LEY63 : 50% or less)
 - LECSB-T: The value of the parameter value [PC13] "Analog torque maximum output command" should be 24% or less. (LEY63 : 40% or less)
 - LECSS-T: The torque maximum output command" should be 24% or less. (LEY63 : 40% or less)

It may lead to breakage and malfunction.
- 3. Normal/reverse torque limit value is set to 100 % as a default.**

It is the maximum torque (the limit value) in the "position control mode", "speed control mode" or "positioning mode". When the product is operated with a smaller value than the default, acceleration when driving can decrease. Set it upon confirmation with the actual equipment used.
- 4. The maximum speed of this actuator varies depending on the stroke of the product.**

When selecting a product, check the catalog for the model selection.
- 5. Do not apply a load, impact or resistance in addition to a transferred load during return to origin.**

Otherwise, the origin can be displaced since it is based on detected motor torque.
- 6. Do not scratch or gouge the sliding parts of the piston rod, by striking or grasping them with other objects.**

Piston rod is manufactured to precise tolerances, so that even a slight deformation may cause malfunction.

7. Please connect it so that the impact and load may not be added to the rod from the side when external guide is used.
8. Please do not operate body itself by the piston rod fixing.
An excessive load joins the piston rod, and it causes defective operation and the longevity decrease.
9. When the actuator is operated at high speed while it is fixed at one end and free at the other end (flange type, foot type, double clevis type, direct mount type), a bending moment may act on the actuator due to vibration generated at the stroke end, which can damage the actuator. In such a case, install a support bracket to suppress the vibration of the actuator body or reduce the speed so that the actuator does not vibrate.
Use a support bracket also when moving the actuator body or when a long stroke actuator is mounted horizontally and fixed at one end.

10. Avoid using the electric actuator in such a way that rotational torque would be applied to the piston rod.

If rotational torque is applied, the non-rotating guide will become deformed, thus affecting the non-rotating accuracy.

Refer to the table below for the approximate values of the allowable range of rotational torque.

Allowable rotational torque (Nm or less)	LEY25**	LEY32**	LEY63**
	1.1	1.4	2.8

To screw a bracket or a nut onto the threaded portion at the tip of the piston rod, make sure to retract the piston rod entirely, and place a wrench over the flat portion of the rod that protrudes. Tighten it by giving consideration to prevent the tightening torque from being applied to the non-rotating guide.



11. When rotational torque is applied to the plate end, use within the allowable range. [LEYG series]

Excessive torque could cause the guide rod and bushing to be deformed, causing looseness of the guide or increase in sliding resistance.

The applied rotational torque should be less than the "Allowable Rotational Torque of Plate" in the table below.

Stroke [mm]		30	50	100	200	300
Allowable Rotational Torque of Plate[Nm]	LEYG25M	1.56	1.29	3.50	2.18	1.36
	LEYG32M	2.55	2.09	5.39	3.26	1.88
	LEYG25L	1.52	3.57	2.47	2.05	1.44
	LEYG32L	2.80	5.76	4.05	3.23	2.32

12. When the fluctuation of load is caused during operation, malfunction/noise/alarm may occur.

The tuning of gain may not suit for fluctuation load. Adjust the gain properly by following the manual of driver.

7.4 Mounting

⚠ Caution

1. Fix 'Socket' square width across flats in the piston rod point with the spanner etc. , prevent the piston rod from rotating, and tighten the screw tightening when work piece or jig, etc. are installed properly by the torque value within the range of the limitation.

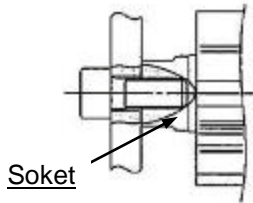
It causes the abnormal reaction of an auto switch, the space of an internal guide, and an increase of the sliding resistance, etc..

2. When mounting the workpiece or other device to the actuator tighten the fixing screws with adequate torque within the specified torque range.

Tightening the screws with a higher torque than the maximum may cause malfunction, whilst tightening with a lower torque can cause the displacement of the mounting position or in extreme conditions detaching of the work piece.

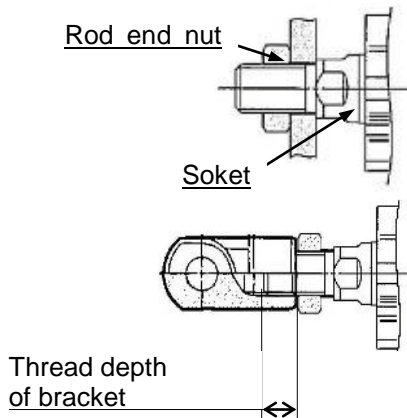
<LEY series>

Work fixed / Rod end female thread



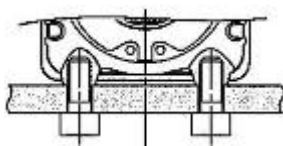
Model	Bolt	Max. tightening torque [Nm]	Max.thread depth [mm]	Scket width across flats [mm]
LEY25	M8x1.25	12.5	13	17
LEY32	M8x1.25	12.5	13	22
LEY63	M16x2	106	21	36

Work fixed / Rod end male thread



Model	Thread size	Max. tightening torque [Nm]	Max.thread length [mm]	Scket width across flats [mm]
LEY25	M14x1.5	50	20.5	17
LEY32	M14x1.5	50	20.5	22
LEY63	M18x1.5	97	26	36
Model	Rod end nut		thread depth of bracket[mm]	
	Width across flats [mm]	Length [mm]		
LEY25	22	8	14	
LEY32	22	8	14	
LEY63	27	11	18	

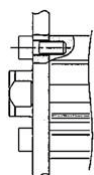
Mounting / Body bottom tapped style (When "Body bottom tappde" is selected)



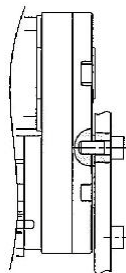
Model	Bolt	Max. tightening torque [Nm]	Max.thread depth [mm]
LEY25	M5x0.8	3.0	6.5
LEY32	M6x1.0	5.2	8.5
LEY63	M8x1.25	12.5	10

Mounting / Rod side •Head side tapped style

Rod side



Head side

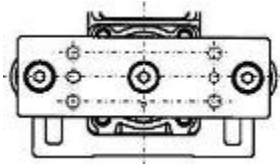


LEY*D is excluded

Model	Bolt	Max. tightening torque [Nm]	Max.thread depth [mm]
LEY25	M5x0.8	3.0	8
LEY32	M6x1.0	5.2	10
LEY63	M8x1.25	12.5	16

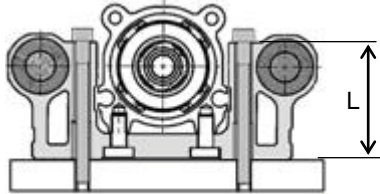
<LEYG series>

Work fixed/ Plate tapped style



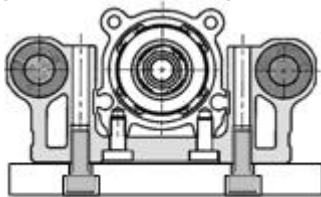
Model	Bolt	Max. tightening torque [N•m]	Max. thread depth [mm]
LEYG25 ^M _L	M6 x 1.0	5.2	11
LEYG32 ^M _L	M6 x 1.0	5.2	12

Mounting / Upper mounting tapped style



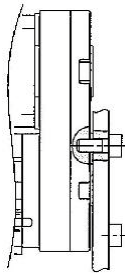
Model	Bolt	Max. tightening torque [N•m]	Length L [mm]
LEYG25 ^M _L	M5 x 0.8	3.0	40.3
LEYG32 ^M _L	M5 x 0.8	3.0	50.3

Mounting / Lower mounting tapped style



Model	Bolt	Max. tightening torque [N•m]	Max. thread depth [mm]
LEYG25 ^M _L	M6 x 1.0	5.2	12
LEYG32 ^M _L	M6 x 1.0	5.2	12

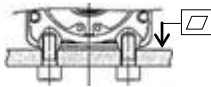
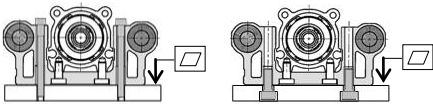
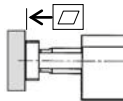
Mounting / Head side tapped style



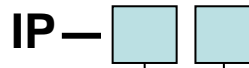
Model	Bolt	Max. tightening torque [N•m]	Max. thread depth [mm]
LEYG25 ^M _L	M8 x 0.8	3.0	8
LEYG32 ^M _L	M8 x 1.0	5.2	10

3. Keep the flatness of the mounting surface within the following ranges when mounting the actuator body and work piece.

Insufficient flatness of the work piece or the surface onto which the actuator body is to be mounted can cause increased sliding resistance.

Model	Mounting part	Flatness
LEY*	Actuator body /Body bottom tapped style 	0.1mm or less
LEYG*	Actuator body / Upper mounting tapped style / Lower mounting tapped style 	0.02mm or less
	Work piece /Plate tapped style 	0.02mm or less

4. Enclosure



First characteristic numeral Second characteristic numeral

•First Characteristics:Degrees of protection against solid foreign objects

0	Non-protected
1	Protected against solid foreign objects of 50 mm and grater
2	Protected against solid foreign objects of 12 mm and grater
3	Protected against solid foreign objects of 2.5 mm and grater
4	Protected against solid foreign objects of 1.0 mm and grater
5	Dust-protected
6	Dust-tight

•Second Characteristics:Degrees of protection against water

0	Non-protected	-
1	Protected against vertically falling water drops	Dripproof type 1
2	Protected against vertically falling water drops when enclosure tilted up to 15°	Dripproof type 2
3	Protected against rainfall when enclosure tilted up to 60°	Rainroof type
4	Protected against splashing water	Splashprof type
5	Protected against water jets	Water-jet-proof type
6	Protected against powerful water jets	Powerful water-jet-proof type
7	Protected against the effects of temporary immersion in water	Immersion type
8	Protected against the effects of continuous immersion in water	Submersible type

Example)IP65:Dust-tight, Water-jet-proof type “Water-jet-proof type” means that no water intrudes inside an equipment that could hinder from operating normally by means of applying water for 3 minutes in the prescribed manner. Take appropriate protection measures, since a device is not usable in an environment where a droplet of water is splashed constantly.Keep the flatness of the mounting surface within the following ranges when mounting the a

7.5 Precaution on maintenance

Caution

1. Cut the power supply during maintenance and replacement of the product.

[Maintenance frequency]

Preform maintenance according to the table below.

	Appearance check	Check belt
Inspection before daily operation	○	
Inspection every six months *	○	○
Inspection every 250km *	○	○
Inspection are every five million times *	○	○

*Either of inspection early time is selected.

[Items for visual appearance check]

1. Loose set screws, abnormal dirt.
2. Check of flaw and cable joint
3. Vibration, noise.

[Items for belt check]

Stop operation immediately and replace the belt when belt appear to be like photos below.

a . Tooth shape canvas is worn out

Canvas fiber becomes fuzzy. Rubber is removed and the fiber becomes whitish. Lines of fibers become unclear.



Teeth become fuzzy

b . Peeling off or wearing of the side of the belt

Belt corner becomes round and frayed thread sticks out.

c . Belt partially cut

Belt is partially cut. Foreign matter caught in teeth other than cut part causes flaw.



d . Vertical line of belt teeth

Flaw which is made when the belt runs on the flange.

e . Rubber back of the belt is softened and sticky

f . Crack on the back of the belt



8. Troubleshooting

8.1 Alarms and Warning

When a fault occurs during the operation, the corresponding alarm or warning is displayed.

If any alarm or warning has occurred, refer to 「Driver Operation Manual」and take the appropriate action.

Revision history

No.LEY-OM00401

Jun / 2011 1st printing

No.LEY-OM00402

July / 2012 Revision

- Addition / LEYG Series (Guide rod type)
- Addition / LECSC Series (CC-Link)
- Addition / LECSS Series (SSCNETⅢ)

No.LEY-OM00403

Nov / 2013 Revision

- Addition / The recommended the parameter for each driver
- Addition / LEY63 Parallel mounting type

No.LEY-OM00404

July / 2014 Revision

- Change of recommended the parameter

No.LEY-OM00405

Mar/ 2016 Revision

- Addition / LECSS-T Series (SSCNETⅢ/H)

No.LEY-OM00406

Jan / 2017 Revision

- Change and Addition / Common precautions

No.LEY-OM00407

Jan / 2017 Revision

- Change of How to order

No.LEY*-OM0213Q

Jan/ 2020 Revision

- Addition / LECSB-T Series (Pulse input / Positioning)
- Addition / LECSC-T Series (CC-Link)

SMC Corporation

4-14-1, Sotokanda, Chiyoda-ku, Tokyo 101-0021 JAPAN

Tel: + 81 3 5207 8249 Fax: +81 3 5298 5362

URL <http://www.smcworld.com>

Note: Specifications are subject to change without prior notice and any obligation on the part of the manufacturer.
© 2019 SMC Corporation All Rights Reserved